

DO NOT SCALE

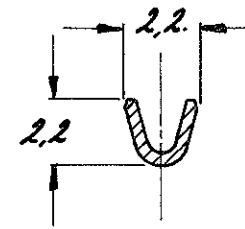
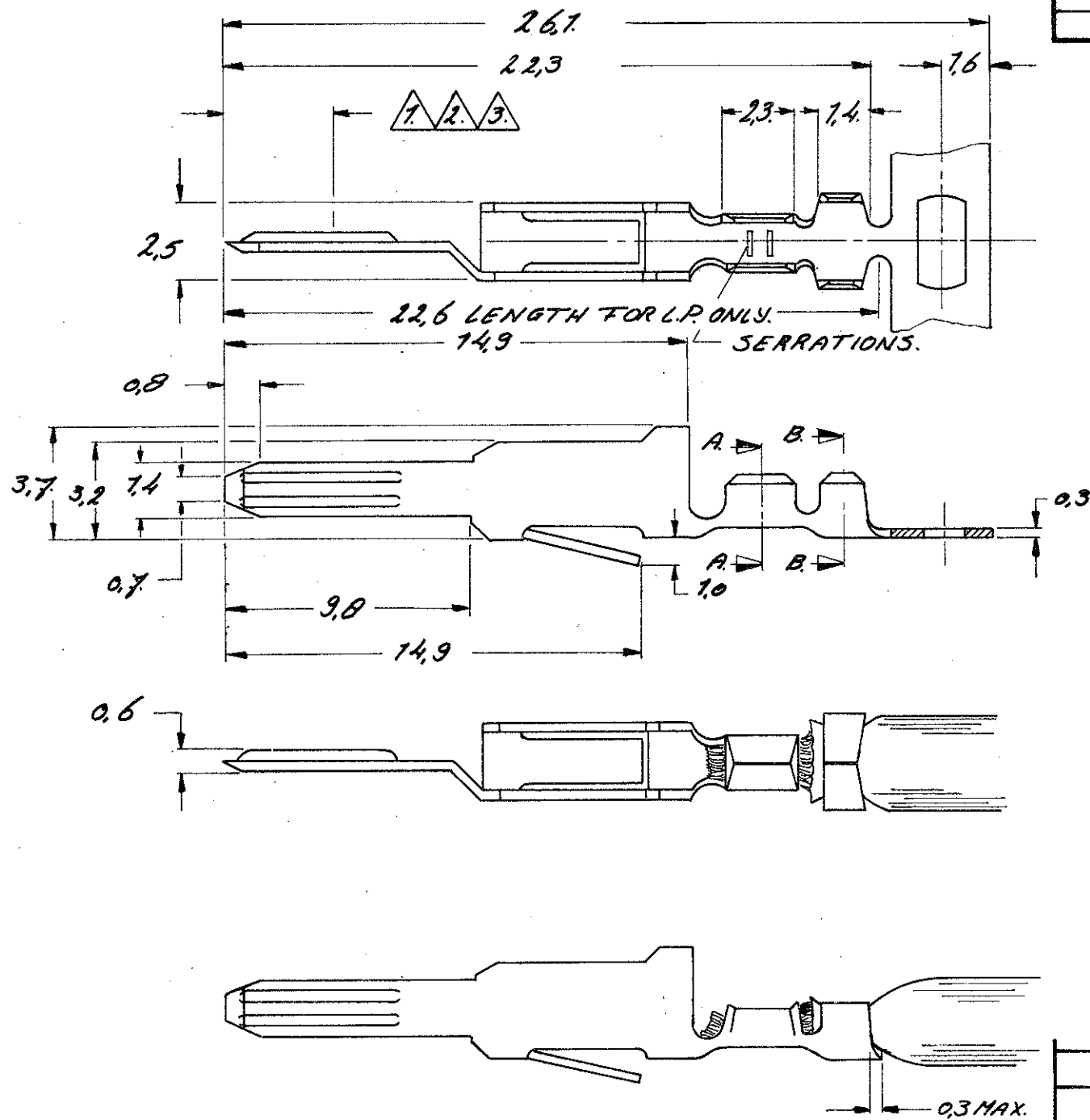
DIMENSIONS IN mm

METRIC

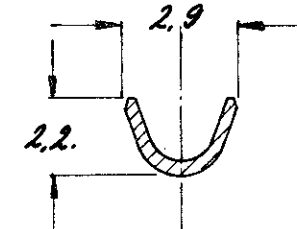
THIRD ANGLE
PROJECTION



REV.	DESCRIPTION	DATE	DWN	APVD
C1	ECR-10-000007	11FEB10	RK	SRE



SECTION A-A



SECTION B-B

NOTES:

- 1. 1.25 μm SELECTIVE GOLD OVER 1.25 μm NICKEL, REMAINDER 1.25 μm Ni.
- 2. 0.75 μm SELECTIVE GOLD OVER 1.25 μm NICKEL, REMAINDER 1.25 μm Ni.
- 3. 0.4 μm SELECTIVE GOLD OVER 1.25 μm NICKEL, REMAINDER 1.25 μm Ni.
- 4. OBSOLETE

166635-5	SEE NOTE 3	BRASS.	166478-7
166635-4	SEE NOTE 2	BRASS.	166478-6
166635-3	SEE NOTE 1	P.H. BRONZE	166478-5
166635-2	SEE NOTE 2	P.H. BRONZE.	166478-4
166635-1	SEE NOTE 1	BRASS.	166478-2
LOOSE PIECE.	FINISH	MATERIAL	PART NUMBER

CUSTOMER
DRAWING

FOR REFERENCE ONLY
WILL NOT BE UPDATED

Tyco
Electronics

AMP-HOLLAND B.V.
's-Hertogenbosch, The Netherlands

THIS DRAWING IS UNPUBLISHED | RELEASED FOR PUBLICATION 19

© COPYRIGHT 19 BY AMP-HOLLAND B.V.
ALL INTERNATIONAL RIGHTS RESERVED.
AMP PRODUCTS MAY BE COVERED BY U.S. AND FOREIGN PATENTS AND/OR PATENTS PENDING.

DR. Th. HUISMAN 18-3-83	WIRE RANGE 0.12-0.5 mm ²	NAME CRIMP ON SNAP-IN	REV. DATE D M Y
CHK. P. J. J. 22-3-83	INSUL. RANGE 0.8 - 1.8 mm.	TAB RECEPTACLE	18 03 83
APP. P. J. J. 24.3.83	SIZE A3	SHEET 1. OF 1.	DRAWING NO C-166478-E
			REV. I.T.R. C1