

## Datasheet

# RS PRO NYLON-INSULATED CORD END

## TERMINALS

Stock number: 178-7301

MAXIMUM ELECTRIC CURRENT:

|        |    |
|--------|----|
| A.W.G. | 18 |
| AMP.   | 17 |

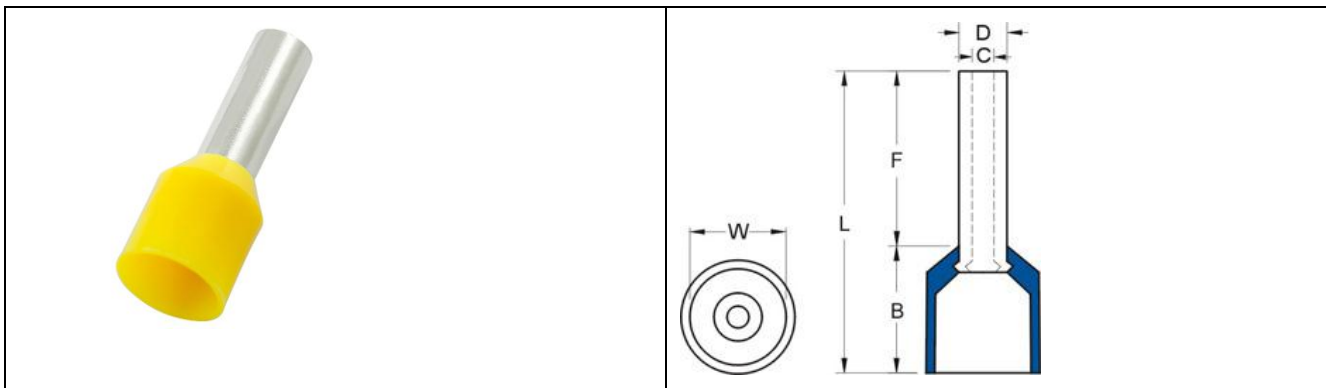
MAXIMUM ELECTRICAL RATING: 105° C 600 VOLTS MAX.

INSULATION MATERIAL: NYLON

TERMINAL MATERIAL: COPPER TUBE

SURFACE TREATMENT: TIN PLATE

INSULATION COLOR: YELLOW



| WIRE RANGE<br>A.W.G.<br>mm <sup>2</sup> | ITEM NO. | DIMENSION inch(mm) |       |       |       |       |       |
|---|----------|--------------------|-------|-------|-------|-------|-------|
|   |          | F                  | L     | W     | B     | D     | C     |
| 18<br>A.W.G.                            | 178-7301 | 0.315              | 0.551 | 0.118 | 0.248 | 0.067 | 0.055 |
| 1.0<br>mm <sup>2</sup>                  |          | 8                  | 14    | 3     | 6.3   | 1.700 | 1.4   |