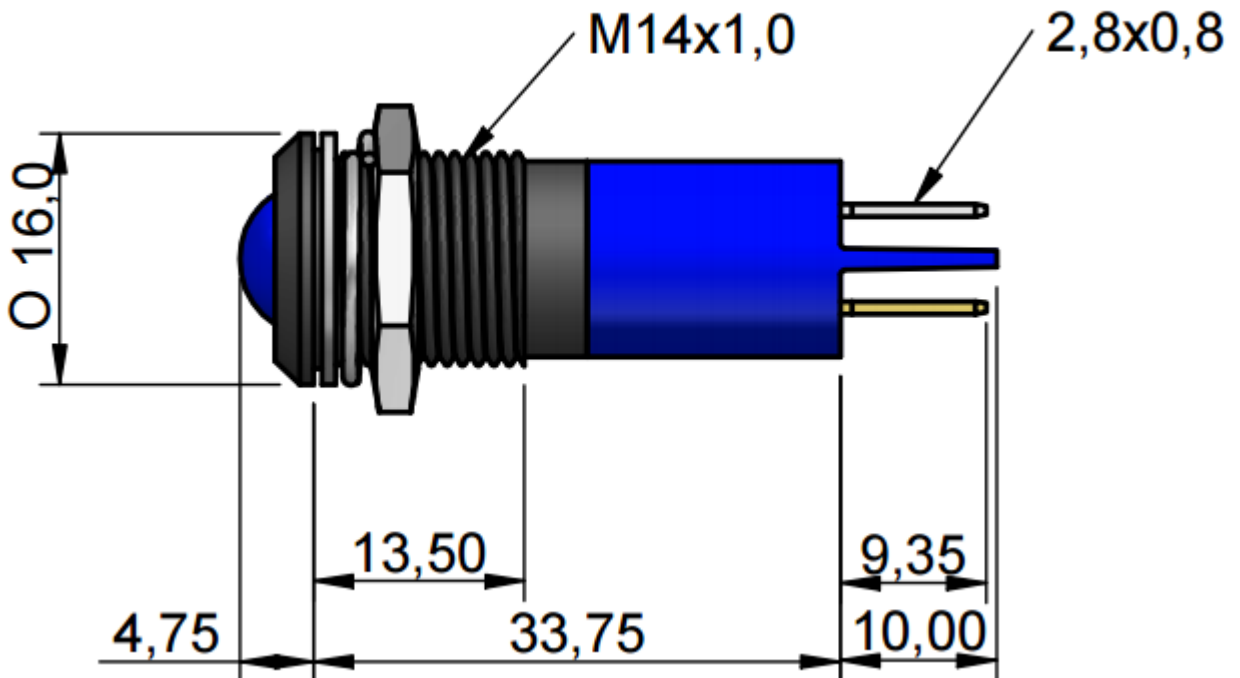


# Datasheet

## Panel Mount Indicator

RS ITEM NO 209-248



LED/Multiled	<i>Neon</i>	Optimum voltage (V)	<i>240Vac</i>	Intensity	-
Mounting Size	<i>14mm</i>	Rectifier	-		
Mounting Finish	<i>Black</i>	AC current	-		
Protection	<i>IP40</i>	DC current			
Mount Holder	<i>Prominent</i>	Voltage Tolerance (%)	<i>10%</i>		
Chip Qty	-	Optimum temperature (°C)	<i>-40°C...+85°C</i>		
Indicator colour	<i>Blue</i>	Storage temperature (°C)	-		
Wavelength (nm)	-	Contact Tab x 2	<i>2.8x0.8mm</i>		



Dimension in mm (typical), not to scale.  
We reserve the right to make changes without further notice to this product to improve reliability, function or design.