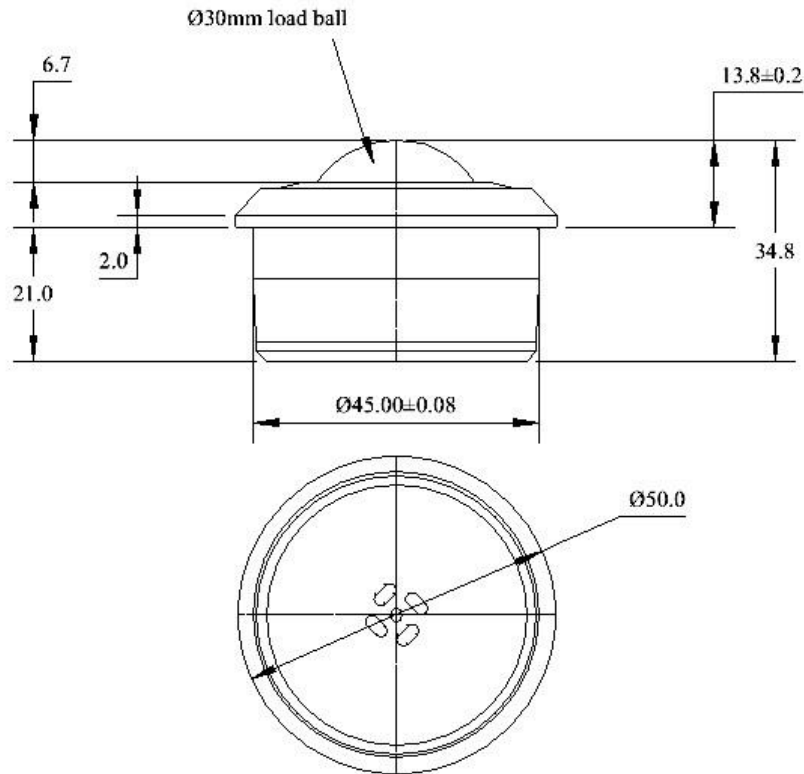


8883016 DATASHEET



REF No.	BALL SIZE (mm)	WEIGHT (Kgs)	MAXIMUM DIAMETER (mm)	WORKING HEIGHT OF BALL (mm)	BALL EXPOSURE ABOVE OUTER RING (mm)	BODY DIAMETER (mm)	FLANGE THICKNESS (mm)	OVERALL HEIGHT (mm)
8883016	$\text{Ø}30$	0.28	$\text{Ø}50$	13.8 ± 0.2	6.7	$\text{Ø}45 \pm 0.08$	2	34.8

MAXIMUM DYNAMIC LOADING – BALL UP

Type 16 Stainless Steel Bearings 350Kg

MATERIALS

Body - Carbon steel with high corrosion resistant / low friction coating finish

Balls - AISI420 stainless steel balls with self colour finish

Outer ring - Plastic

KEY FEATURES

60% Reduction in friction

8.8dB Reduction in noise level in use compared to commonly available unit

Improved corrosion resistance

Multi-slotted dirt exit hole