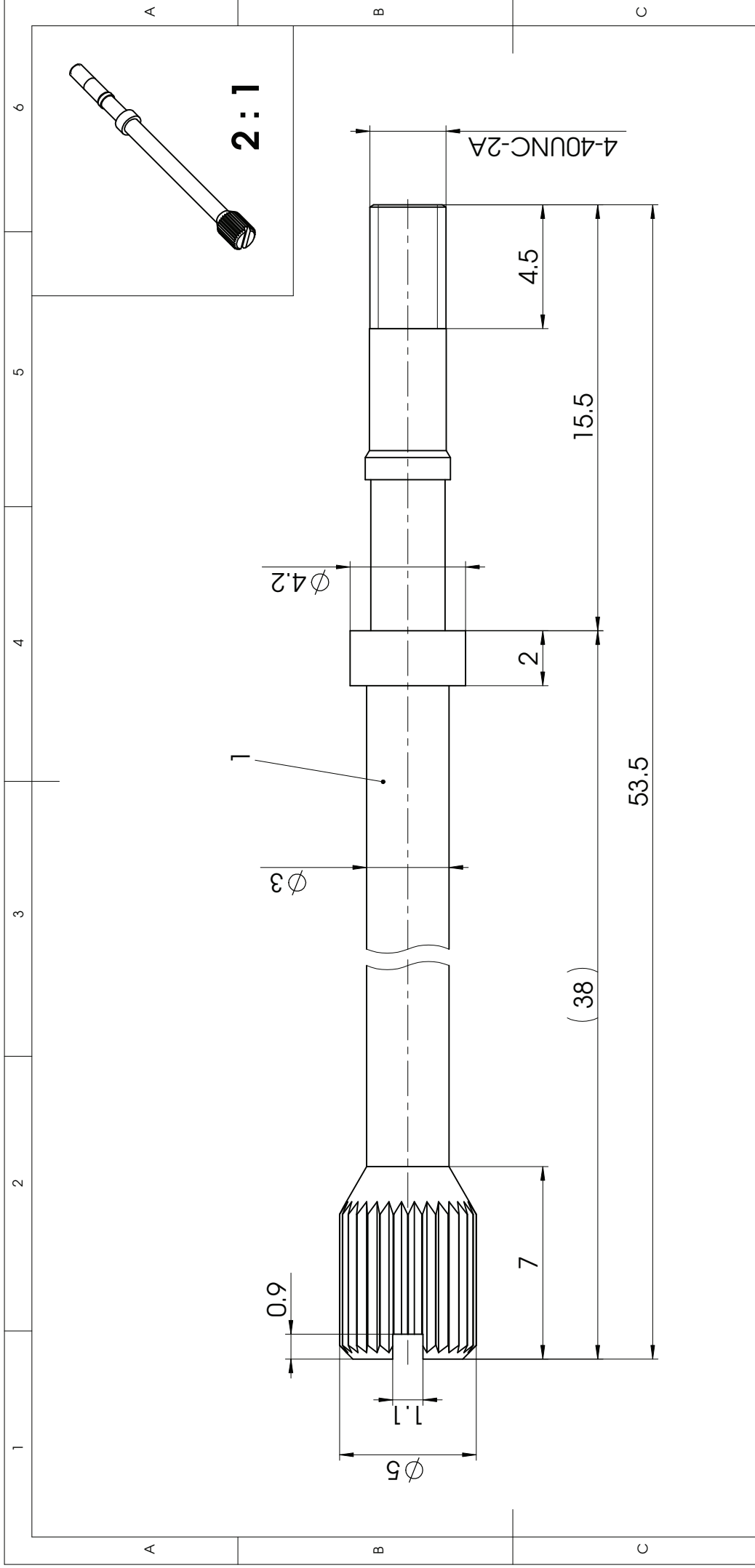


COMMENT:
 ALL RIGHTS ARE RESERVED BY US FOR THIS DRAWING. WITHOUT OUR PRIOR CONSENT,
 IT MAY NEITHER BE DUPLICATED NOR MADE AVAILABLE TO A THIRD PARTY,
 AND IT ALSO MAY NOT BE IMPROPERLY USED BY THE RECEIVER, OR A THIRD PARTY.



1	1	Knurled thumb screw	FRS1/5-K190 4-40x38 / Brass	nickel plated
No.	St.	Part	Type Description/Material	Surface plating/Colour/Class
			Measurement without tolerance acc. to ISO 2768-m	TITLE
			SCALE	5:1
			NAME / DATE	
			Drawn: Anke Meyer-Richter	
			DATE: 16-11-2009	
			CHECKED: Cschoening	
			DATE: 17-11-2009	
			FCT group fctgroup.com	
1			DWG. NO.	FRS1/5-K190
REV.	DATE	CH.-NO.	REPLACEMENT FOR:	PAGES
1				1

Knurled thumb screw

REV. 1

PAGES 1