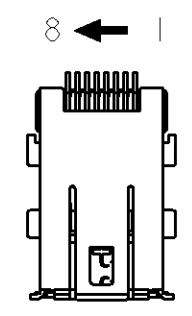
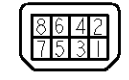


THIS DRAWING IS UNPUBLISHED. RELEASED FOR PUBLICATION 20  
 © COPYRIGHT 20 BY TYCO ELECTRONICS CORPORATION. ALL RIGHTS RESERVED.

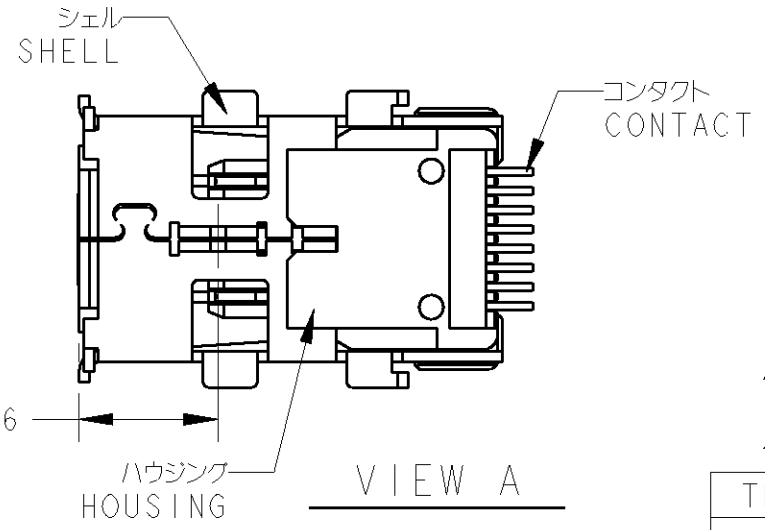
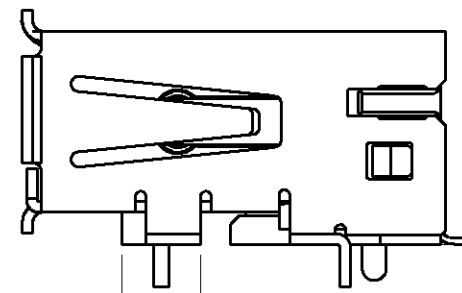
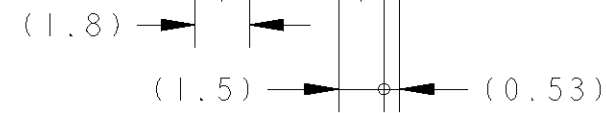
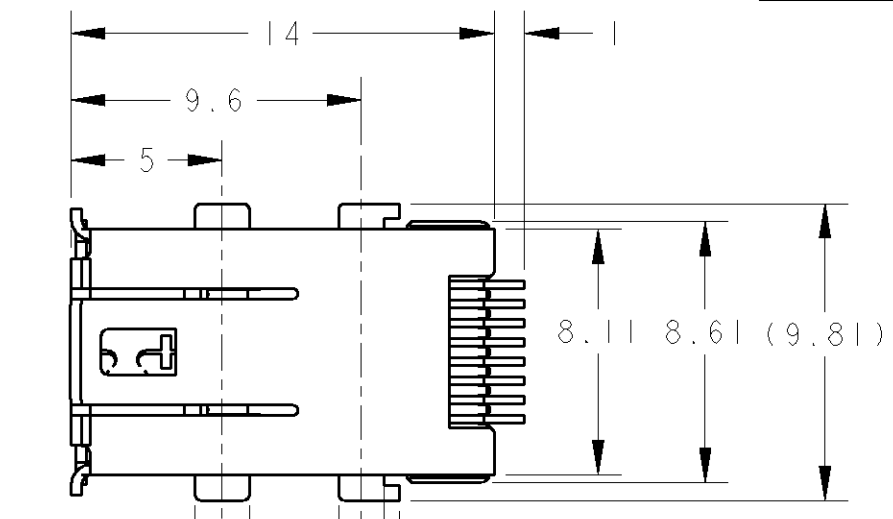
LOC	DIST	REVISIONS					
		P	LTR	DESCRIPTION	DATE	DWN	APVD
-	-	A		RELEASED	13NOV2007	S.I	I.H
-	-	AI		REVISED	30MAY2008	S.I	I.H



D-SHAPE TYPE 2



回路番号  
CIRCUIT NO.



注記  
 ① 材料及び仕上げ  
 コントラクト  
 材料: 銅合金  
 全面Ni 下地めっき 1.27μmMIN  
 接点部: Auめっき 0.5μmMIN  
 半田付け部: Auフラッシュめっき  
 ハウジング  
 材料: 熱可塑性樹脂  
 難燃性 UL 94V-0  
 シェル  
 材料: 銅合金  
 全面Ni 下地めっき  
 全面Snめっき

② SMTリード先端部の平坦度(コプラナリティー): 0.1MAX

③ 顧客決定寸法

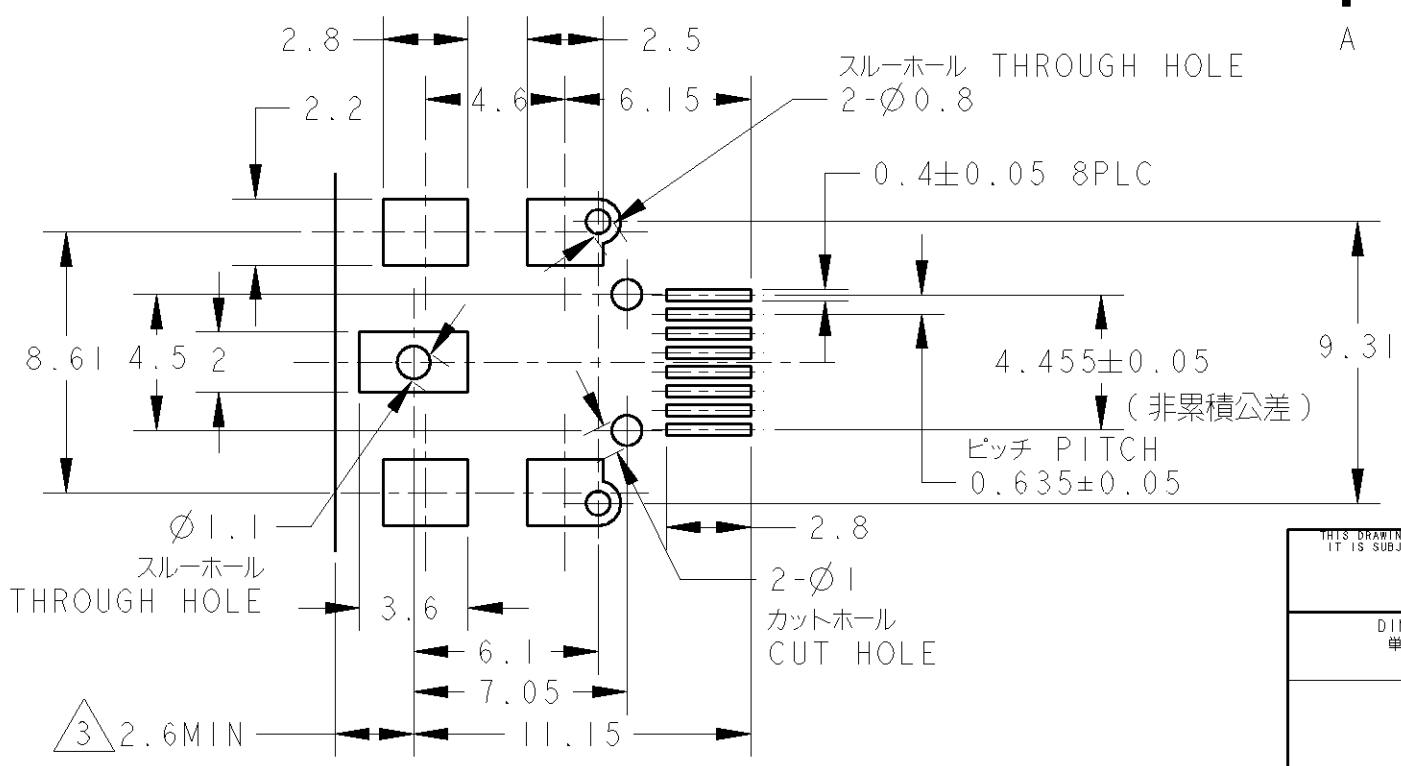
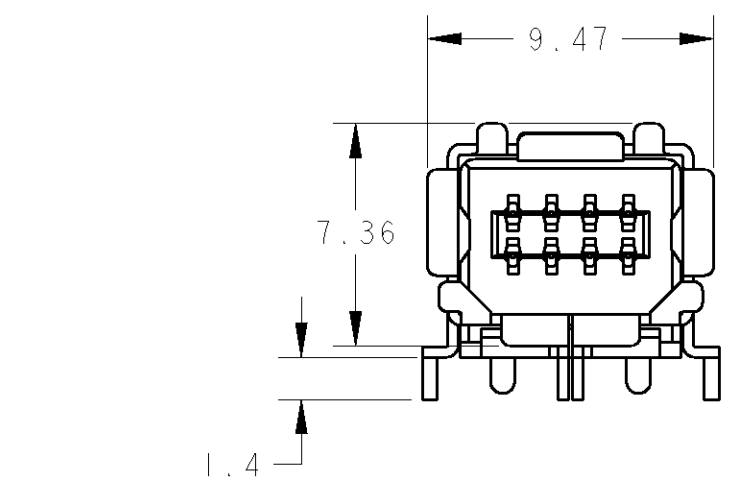
NOTE  
 ① MATERIAL AND FINISH  
 CONTACT  
 COPPER ALLOY  
 UNDER ALL SURFACE Ni 1.27μm MIN  
 TOP CONTACT AREA Au 0.5μm MIN  
 SOLDERING AREA Au FLASH

HOUSING  
 THERMO PLASTIC(UL94V-0)

SHELL  
 COPPER ALLOY  
 UNDER ALL SURFACE Ni  
 TOP ALL SURFACE Sn

② COPLANARITY 0.1 MAX(TOP OF LEAD)

③ DIMENSION DECIDED BY CUSTOMER.



推奨基板寸法(実装面側) ±1.6  
 RECOMMENDED BOARD DIMENSION  
 (CONNECTOR SIDE) ±1.6

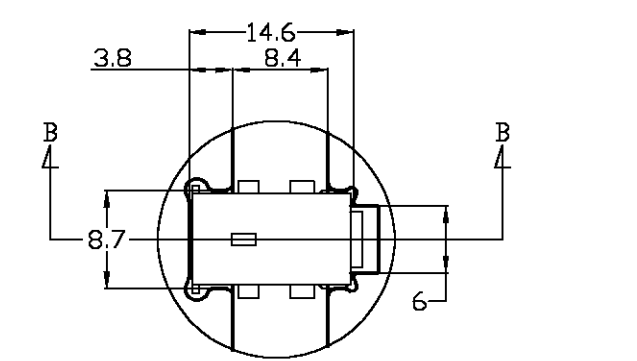
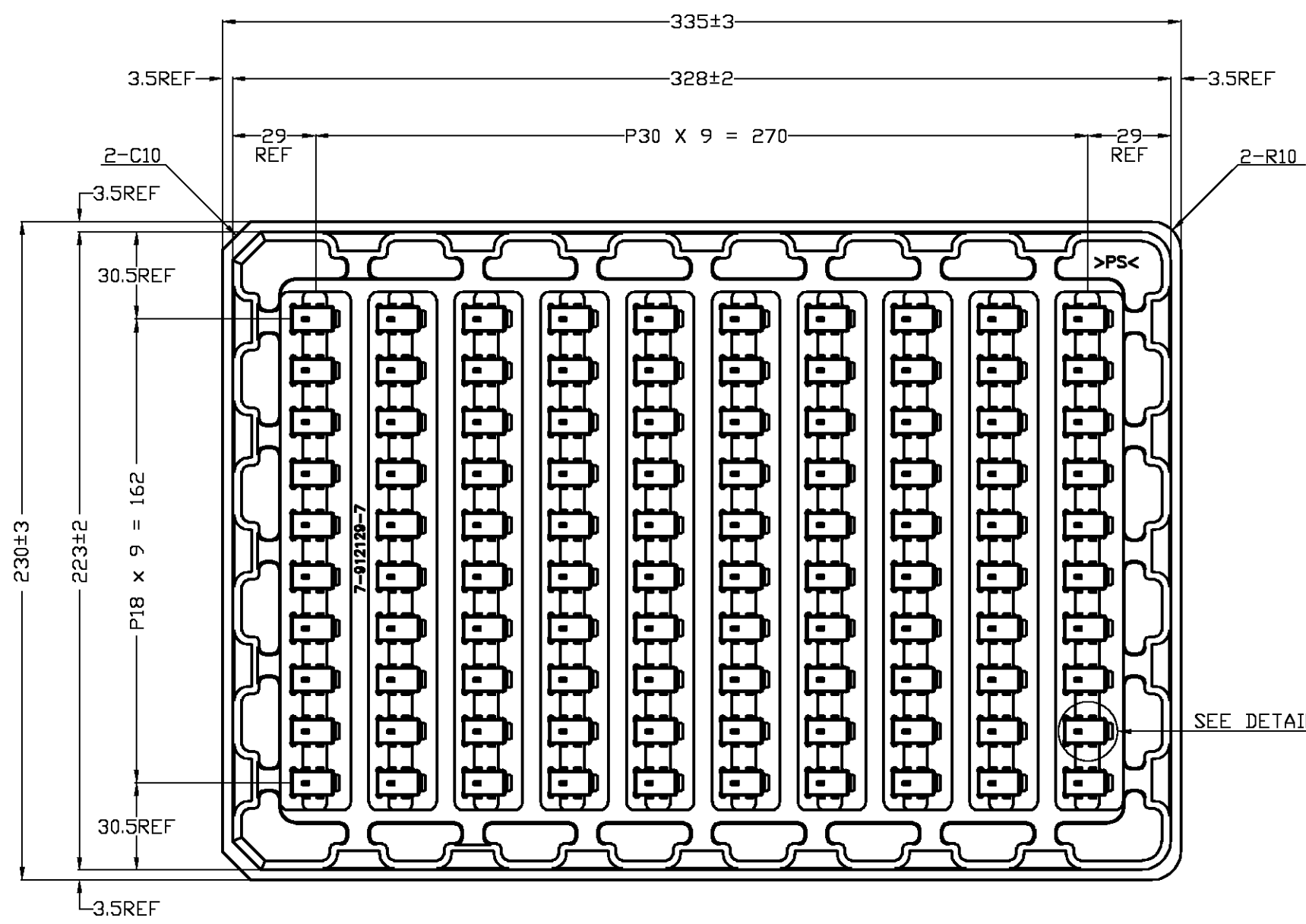
THIS DRAWING IS A CONTROLLED DOCUMENT FOR TYCO ELECTRONICS CORPORATION  
 IT IS SUBJECT TO CHANGE AND THE CONTROLLING ENGINEERING ORGANIZATION  
 SHOULD BE CONTACTED FOR THE LATEST REVISION.

DIMENSIONS: 単位: 概 mm	TOLERANCES UNLESS OTHERWISE SPECIFIED: 一般公差 ±0.2 0-PLC ± 1-PLC ± 2-PLC ± 3-PLC ± 4-PLC ± ANGLES ±	DWN S.I.NOMATA 13NOV2007 CHK I.HASEGAWA 13NOV2007 APVD I.HASEGAWA 13NOV2007 PRODUCT SPEC 108-78405 APPLICATION SPEC 取付適用規格 WEIGHT -
MATERIAL 材料	FINISH 仕上	CUSTOMER DRAWING

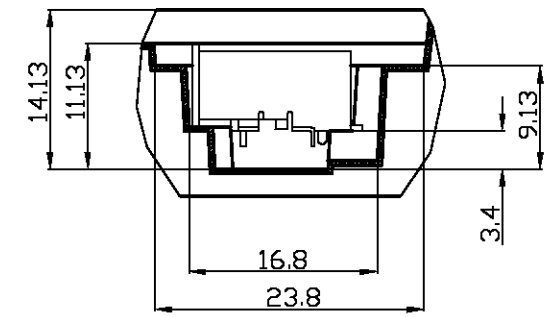
TRAY (SEE SHEET 2 OF 2)		1981386-1	
PACKAGING STYLE		PART NO.	
<b>tyco</b> Electronics		Tyco Electronics AMP K.K. Kawasaki, Japan	
NAME 名称 INDUSTRIAL MINI I/O CONN. 1.27MM PITCH 8P HDR ASSY D-SHAPE TYPE 2			
SIZE 番号 A3	CAGE CODE	DRAWING NO 番号 C-1981386	RESTRICTED TO
SCALE 尺度 4:1		SHEET 1 OF 2	REV A1

THIS DRAWING IS UNPUBLISHED. RELEASED FOR PUBLICATION  
 © COPYRIGHT BY TYCO ELECTRONICS CORPORATION. ALL RIGHTS RESERVED.

LOC	DIST	REVISIONS					
		P	LTR	DESCRIPTION	DATE	DWN	APVD
-	-	-	-	SEE SHEET 1	-	-	-



DETAIL A (テーパ下寸法) (AT BOTTOM OF TAPER)



SECTION B-B



注記  
 △トレー材質: ポリスチレン  
 5 製品入り数: 100 / 1トレー

NOTE  
 △TRAY MATERIAL: POLYSTYRENE  
 5 PRODUCT QUANTITY: 100 / 1TRAY

THIS DRAWING IS A CONTROLLED DOCUMENT.		DWN SEE SHEET 1	Tyco Electronics Corporation Kawasaki, Japan																			
DIMENSIONS: 単位: 耗 mm		CHK SEE SHEET 1	NAME 名称 INDUSTRIAL MINI I/O CONN. 1.27MM PITCH 8P HDR ASSY D-SHAPE TYPE 2																			
TOLERANCES UNLESS OTHERWISE SPECIFIED: 一般公差 ±0.5		APVD SEE SHEET 1	PRODUCT SPEC 製品規格 SEE SHEET 1	RESTRICTED TO																		
<table border="0"> <tr><td>0-PLC</td><td>±</td><td>-</td></tr> <tr><td>1-PLC</td><td>±</td><td>-</td></tr> <tr><td>2-PLC</td><td>±</td><td>-</td></tr> <tr><td>3-PLC</td><td>±</td><td>-</td></tr> <tr><td>4-PLC</td><td>±</td><td>-</td></tr> <tr><td>ANGLES</td><td>±</td><td>-</td></tr> </table>		0-PLC	±	-	1-PLC	±	-	2-PLC	±	-	3-PLC	±	-	4-PLC	±	-	ANGLES	±	-	APPLICATION SPEC 取付適用規格	SIZE A3	CAGE CODE -
0-PLC	±	-																				
1-PLC	±	-																				
2-PLC	±	-																				
3-PLC	±	-																				
4-PLC	±	-																				
ANGLES	±	-																				
MATERIAL 材料 △		FINISH 仕上 -	WEIGHT -	DRAWING NO 番号 C-1981386																		
		CUSTOMER DRAWING	SCALE 尺度 NONE	SHEET 2 OF 2 REV A1																		