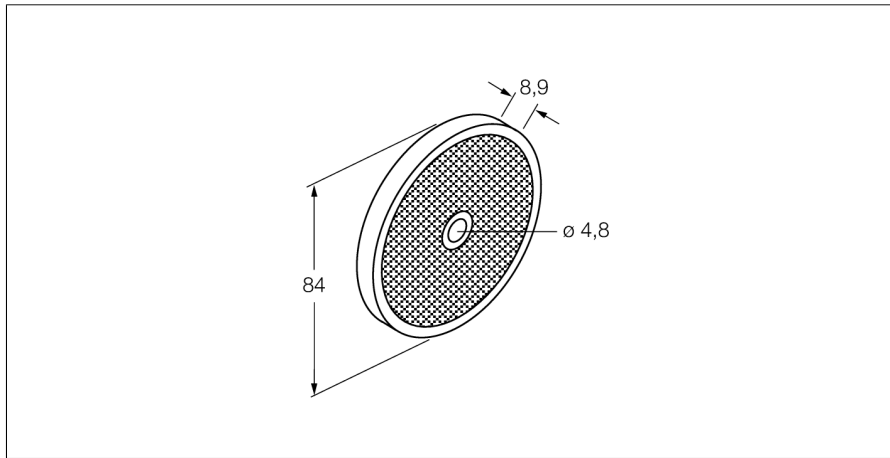


Accessories

Reflector

BRT-3



- Round housing
- reflective area 1
- Reflection coefficient 1
- (Reference BRT-3)

Functional principle

Retro-reflective sensors incorporate emitter and receiver in a single compact housing. The light beam of the emitter is directed towards a reflector which returns the light back to the receiver. An object is detected when it interrupts this beam. Retro-reflective sensors have a high function gain and good contrast performance. Further it is merely required to install and wire a single device.

Type code	BRT-3
Ident no.	3016164
Ambient temperature	-20...+60 °C °C
Dimensions	9mm mm
Housing diameter	84 mm
Lens	plastic, acrylic