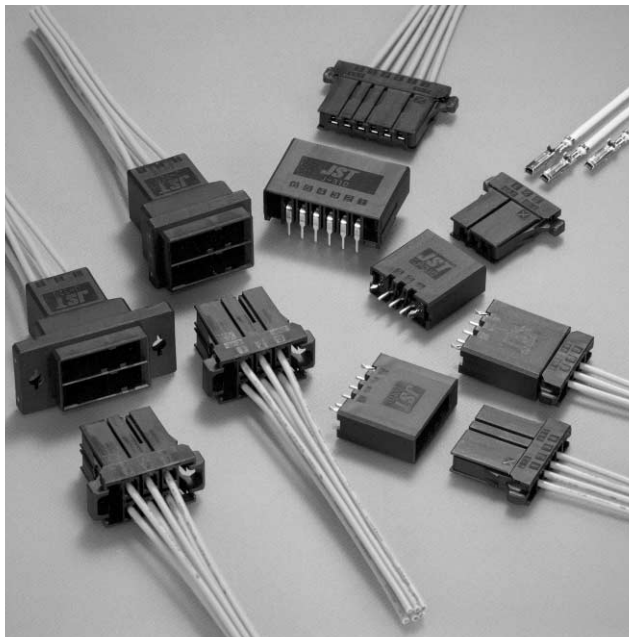
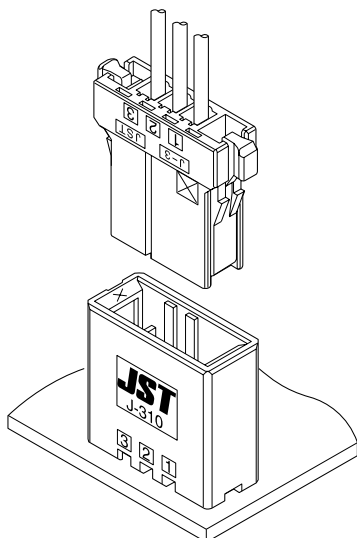


JFA CONNECTOR J300 SERIES

Disconnectable Crimp style connectors (Wire-to-board/Wire-to-wire)



Connectors for signal circuits or power supply circuits, applicable to the factory automation, heavy electric machinery, and other industrial equipment in general. In spite of the various kinds of housings available, their contacts are designed to be common. Thus the applicable tooling can be unified.



Features

• Double-spring construction

For superior contact reliability, the receptacle contact has a double-spring construction consisting of a main spring and a contact pressure adjustment spring.

In addition, a spring stopper is incorporated in the connector to facilitate resistance to excessive pressure.

• Housing lances

Lances are incorporated into the housing design to secure the contacts, therefore keeping contact insertion force low and avoiding contact deformation.

• Secure locking method

When housings are mated, a clear locking sound can be heard to ensure secure engagement.

• Recognition mark

Both contacts and application tools have identification marks to prevent incorrect combinations.

Specifications

- Current rating: 10.5A max. AC, DC (5 circuits/AWG #16)
- Voltage rating: 310 · 340 series [3.81mm(.150")pitch] 250V AC
320 · 350 series [5.08mm(.200")pitch] 600V AC
- Temperature range: -55°C to +105°C
(including temperature rise in applying electrical current)
- Contact resistance: Initial value/5m Ω max.
After environmental testing/10m Ω max.
- Insulation resistance: 1,000M Ω min.
- Withstanding voltage: 310 · 340 series [3.81mm(.150")pitch]1,500V AC/minute
320 · 350 series [5.08mm(.200")pitch]2,200V AC/minute
- Applicable wire: AWG #28 to #14
- Applicable PC board thickness: 1.6 to 2.4mm(.063" to .094")
- * Contact JST if Lead-Free product is required.
- * Temperature Range:
The aforementioned temperature range of this connector is described in JST Standard Product Specification. Maximum temperature registered in UL is 105°C.
- * Refer to "General Instruction and Notice when using Terminals and Connectors" at the end of this catalog.
- * Contact JST for details.

Standards

Recognized E60389

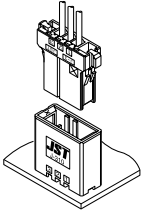
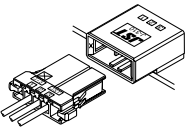
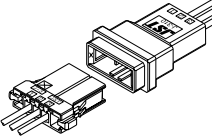
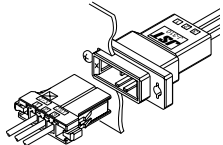
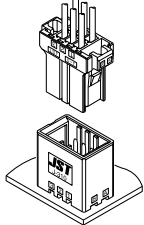
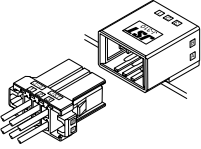
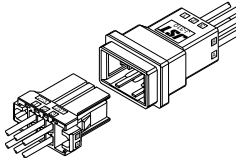
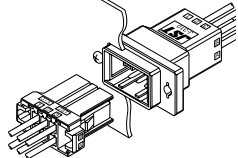
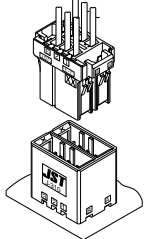
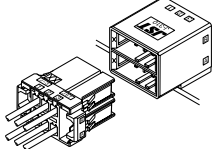
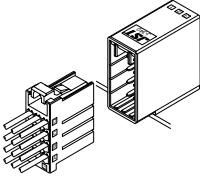
Certified LR20812

J-50015641

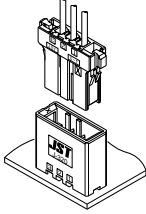
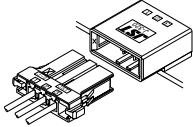
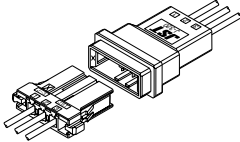
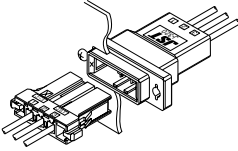
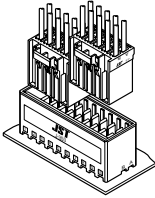
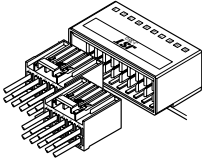
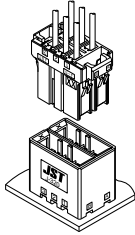
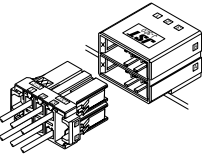
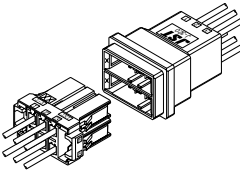
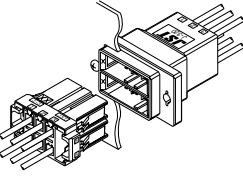
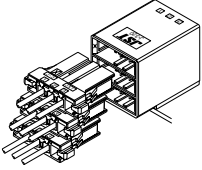
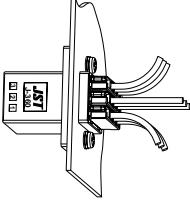
For J310S, J310D, J310M, J320S and J320M series.

JFA CONNECTOR/J300 SERIES

List of J300 series products

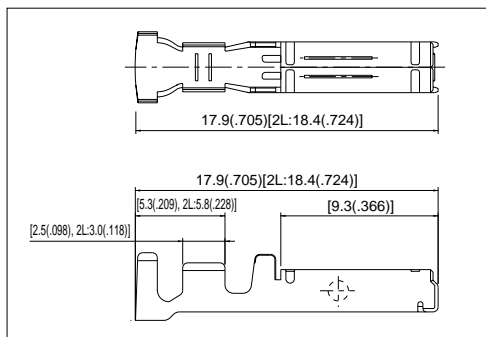
Type	3.81mm(.150") pitch / Voltage rating 250V AC			
	Wire to Board		Wire to Wire	
	Top entry type	Side entry type	Free hanging type	Panel mounting type
J310S Single-row type				
Circuits	3, 4, 5, 6, 8, 10	3, 4, 5, 6, 8, 10	3, 5, 8, 10	3, 5, 8, 10
J310D Double-row type [line pitch 5.08mm(.200")]				
Circuits	6, 8, 10, 12, 16, 20	6, 8, 10, 12, 16, 20	6, 8, 10, 12, 16, 20	6, 8, 10, 12, 16, 20
J310M Double-row module type [line pitch 7.62mm(.300")]				
Circuits	6	6		
J340F Four-row type [line pitch 5.08mm(.200")]				
Circuits		12, 20		
Circuits				

JFA CONNECTOR/J300 SERIES

5.08mm(.200") pitch / Voltage rating 600V AC				Type
Wire to Board		Wire to Wire		
Top entry type	Side entry type	Free hanging type	Panel mounting type	
				J320S Single-row type
2, 3, 4, 5, 6	2, 3, 4, 5, 6	2, 3, 4	2, 3, 4	Circuits
				J350D Double-row type [line pitch 5.08mm(.200")]
12, 20	12, 20			Circuits
				J320M Double-row module type [line pitch 7.62mm(.300")]
6,10,12	6,10,12	6,12	6,12	Circuits
				J320T Triple-row module type [line pitch 7.62mm(.300")]
	9			Circuits
				J360T Triple-row common type [line pitch 5.08mm(.200")]
			9,18	Circuits

JFA CONNECTOR/J300 SERIES

Receptacle contact



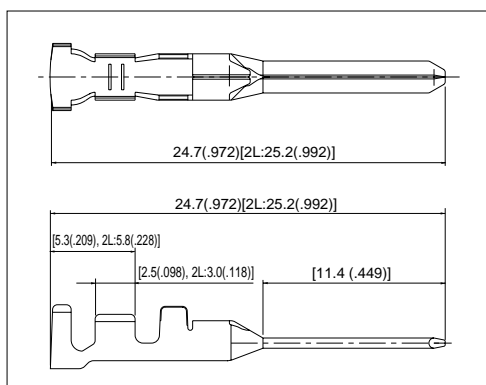
Model No.		Applicable wire			Insulation O.D. mm (in.)	Q'ty	
Strip form	Loose piece	Nominal	mm ²	AWG#		reel	box(Loose piece)
SF3F-002(*)-P2.0	BF3F-002(*)-P2.0	S	0.08 to 0.20	28 to 24	0.8 to 1.4 (.031 to .055)	3,700	1,000
SF3F-01(*)-P2.0	BF3F-01(*)-P2.0	M	0.20 to 0.50	24 to 20	1.2 to 2.6 (.047 to .102)	3,700	1,000
SF3F-41(*)-P2.0	LF3F-41(*)-P2.0	L	0.50 to 1.25	20 to 16	1.8 to 2.8 (.071 to .110)	Note2) 3,300	1,000
SF3F-71()-P2.0	*BF3F-71(*)-P2.0	2L	1.25 to 2.0	16 to 14	2.4 to 3.4 (.094 to .134)	Note2) 3,200	1,000

Material and Finish

Copper alloy (superior conductivity), nickel-undercoated, selective gold-plated
Tin-plated

- Note: 1. Finish (*): GF...Nickel-undercoated, selective gold-plated
T...Tin-plated
2. Contact JST for containg quantity.
3. *Marked products are not CSA/TÜV approved.

Tab contact



Model No.		Applicable wire			Insulation O.D. mm (in.)	Q'ty	
Strip form	Loose piece	Nominal	mm ²	AWG#		reel	box(Loose piece)
Under developing	Under developing	S	0.08 to 0.20	28 to 24	0.8 to 1.4 (.031 to .055)	—	—
SF3M-01(*)-M2.0N	BF3M-01(*)-M2.0N	M	0.20 to 0.50	24 to 20	1.2 to 2.6 (.047 to .102)	3,500	1,000
SF3M-41(*)-M2.0N	LF3M-41(*)-M2.0N	L	0.50 to 1.25	20 to 16	1.8 to 2.8 (.071 to .110)	3,300	1,000
SF3M-71()-M2.0N	*BF3M-71(*)-M2.0N	2L	1.25 to 2.0	16 to 14	2.4 to 3.4 (.094 to .134)	3,200	1,000

Material and Finish

Copper alloy (superior conductivity), nickel-undercoated, selective gold-plated
Tin-plated

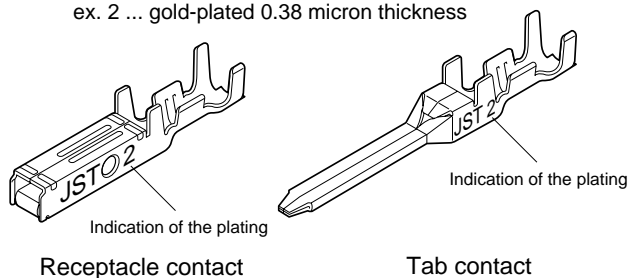
- Note: 1. Finish (*): GF...Nickel-undercoated, selective gold-plated
T...Tin-plated
2. *Marked products are not CSA/TÜV approved.

Recognition mark

Plating of the contact

Each contact has a marking on its side so that the type or thickness of the plating is recognized.

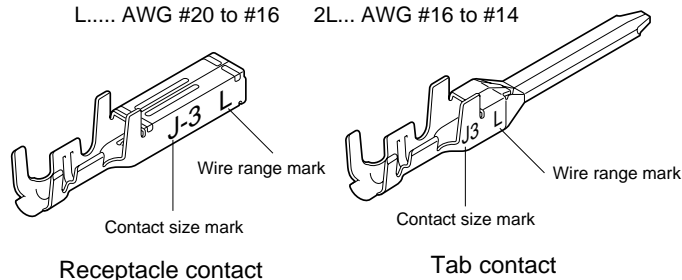
ex. 2 ... gold-plated 0.38 micron thickness



Common marking on the contact and its application tools

In order to avoid incorrect combination of the hand crimp tools and the contacts, the contact size mark (J-3) and wire range mark (S, M, L, 2L) are shown on both the tools and the contacts.

J-3 S..... AWG #28 to #24 M.... AWG #24 to #20
L..... AWG #20 to #16 2L... AWG #16 to #14

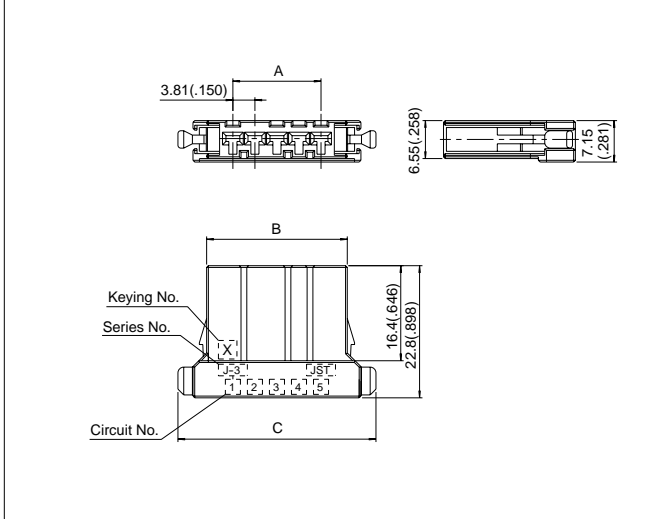


Applicator for the semi-automatic press AP-K2N

Contact	Crimp applicator MKS-L		Compact crimp applicator MKS-LS		Strip-crimp applicator MKS-SC
	with safety cover	without safety cover	with safety cover	without safety cover	with safety cover
SF3F-002GF-P2.0	APLMK SF3F/M002-20	APLNC SF3F/M002-20	—	—	—
SF3F-01GF-P2.0	APLMK SF3F/M01-20	APLNC SF3F/M01-20	—	—	—
SF3M-01GF-M2.0N	APLMK SF3F/M01-20	APLNC SF3F/M01-20	—	—	—
SF3F-41GF-P2.0	APLMK SF3F/M41-20	APLNC SF3F/M41-20	—	—	—
SF3M-41GF-M2.0N	APLMK SF3F/M41-20	APLNC SF3F/M41-20	—	—	—
SF3F-71GF-P2.0	APLMK SF3F/M71-20	APLNC SF3F/M71-20	—	—	—
SF3M-71GF-M2.0N	APLMK SF3F/M71-20	APLNC SF3F/M71-20	—	—	—

JFA CONNECTOR/J310S

Receptacle housing

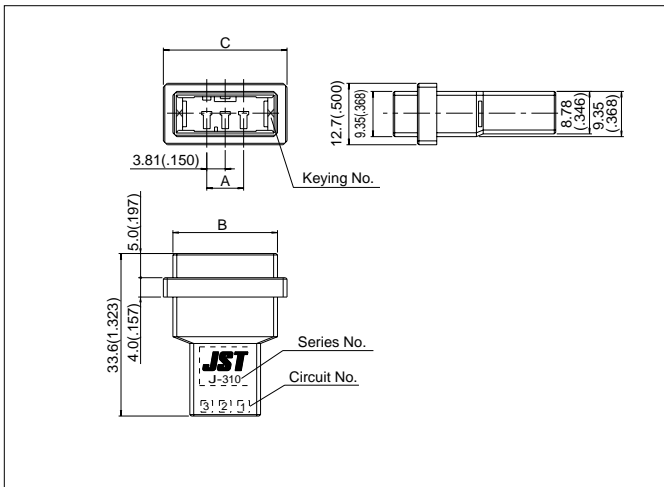


Circuits	Keying	Model No.	Dimensions mm(in.)			Q'ty / bag
			A	B	C	
3	X	F31FSS-03V-KX	7.62(.300)	16.70(.657)	26.62(1.048)	200
	Y	F31FSS-03V-KY	7.62(.300)	16.70(.657)	26.62(1.048)	200
4	X	F31FSS-04V-KX	11.43(.450)	20.51(.807)	30.43(1.198)	200
	Y	F31FSS-04V-KY	11.43(.450)	20.51(.807)	30.43(1.198)	200
5	X	F31FSS-05V-KX	15.24(.600)	24.32(.957)	34.24(1.348)	200
	Y	F31FSS-05V-KY	15.24(.600)	24.32(.957)	34.24(1.348)	200
6	X	F31FSS-06V-KX	19.05(.750)	28.13(1.107)	38.05(1.498)	200
	Y	F31FSS-06V-KY	19.05(.750)	28.13(1.107)	38.05(1.498)	200
8	X	F31FSS-08V-KX	26.67(1.050)	35.75(1.407)	45.67(1.798)	100
	Y	F31FSS-08V-KY	26.67(1.050)	35.75(1.407)	45.67(1.798)	100
10	X	F31FSS-10V-KX	34.29(1.350)	43.37(1.707)	53.29(2.098)	100
	Y	F31FSS-10V-KY	34.29(1.350)	43.37(1.707)	53.29(2.098)	100

Material

Glass-filled PBT, UL94V-0, black

Tab housing (Free hanging type)

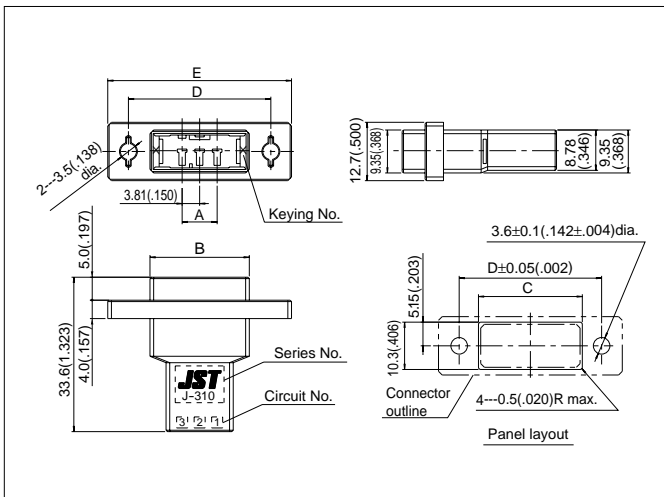


Circuits	Keying	Model No.	Dimensions mm(in.)			Q'ty / bag
			A	B	C	
3	X	F31MSF-03V-KX	7.62(.300)	21.62(.851)	25.57(1.007)	200
	Y	F31MSF-03V-KY	7.62(.300)	21.62(.851)	25.57(1.007)	200
5	X	F31MSF-05V-KX	15.24(.600)	29.24(1.151)	33.19(1.307)	200
	Y	F31MSF-05V-KY	15.24(.600)	29.24(1.151)	33.19(1.307)	200
8	X	F31MSF-08V-KX	26.67(1.050)	40.67(1.601)	44.62(1.757)	100
	Y	F31MSF-08V-KY	26.67(1.050)	40.67(1.601)	44.62(1.757)	100
10	X	F31MSF-10V-KX	34.29(1.350)	48.29(1.901)	52.24(2.057)	100
	Y	F31MSF-10V-KY	34.29(1.350)	48.29(1.901)	52.24(2.057)	100

Material

Glass-filled PBT, UL94V-0, black

Tab housing (Panel mounting type)



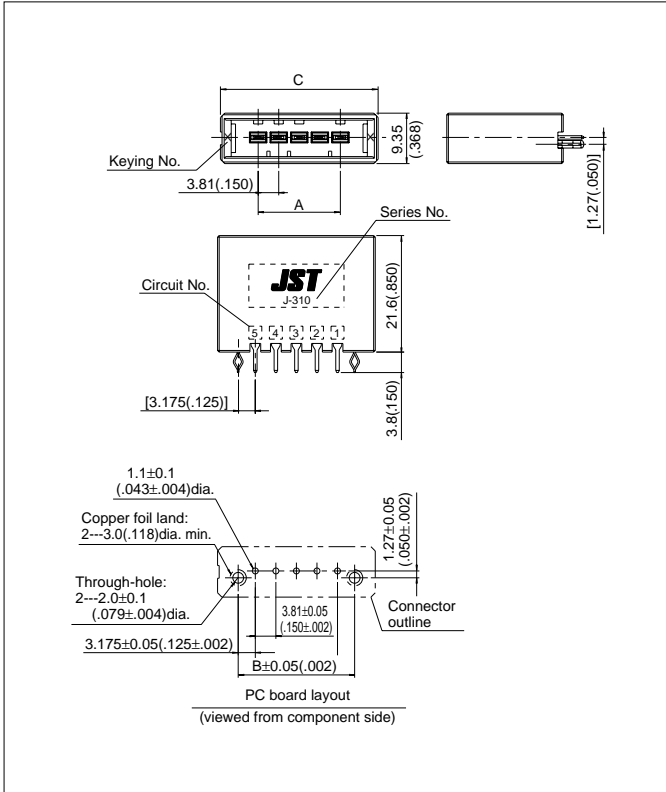
Circuits	Keying	Model No.	Dimensions mm(in.)					Q'ty / bag
			A	B	C	D	E	
3	X	F31MSP-03V-KX	7.62(.300)	21.62(.851)	22.60(.890)	31.00(1.220)	40.00(1.575)	200
	Y	F31MSP-03V-KY	7.62(.300)	21.62(.851)	22.60(.890)	31.00(1.220)	40.00(1.575)	200
5	X	F31MSP-05V-KX	15.24(.600)	29.24(1.151)	30.20(1.189)	38.00(1.496)	47.00(1.850)	200
	Y	F31MSP-05V-KY	15.24(.600)	29.24(1.151)	30.20(1.189)	38.00(1.496)	47.00(1.850)	200
8	X	F31MSP-08V-KX	26.67(1.050)	40.67(1.601)	41.60(1.638)	50.00(1.969)	59.00(2.323)	100
	Y	F31MSP-08V-KY	26.67(1.050)	40.67(1.601)	41.60(1.638)	50.00(1.969)	59.00(2.323)	100
10	X	F31MSP-10V-KX	34.29(1.350)	48.29(1.901)	49.20(1.937)	58.00(2.283)	67.00(2.638)	100
	Y	F31MSP-10V-KY	34.29(1.350)	48.29(1.901)	49.20(1.937)	58.00(2.283)	67.00(2.638)	100

Material

Glass-filled PBT, UL94V-0, black

JFA CONNECTOR/J310S

Header (Top entry type)



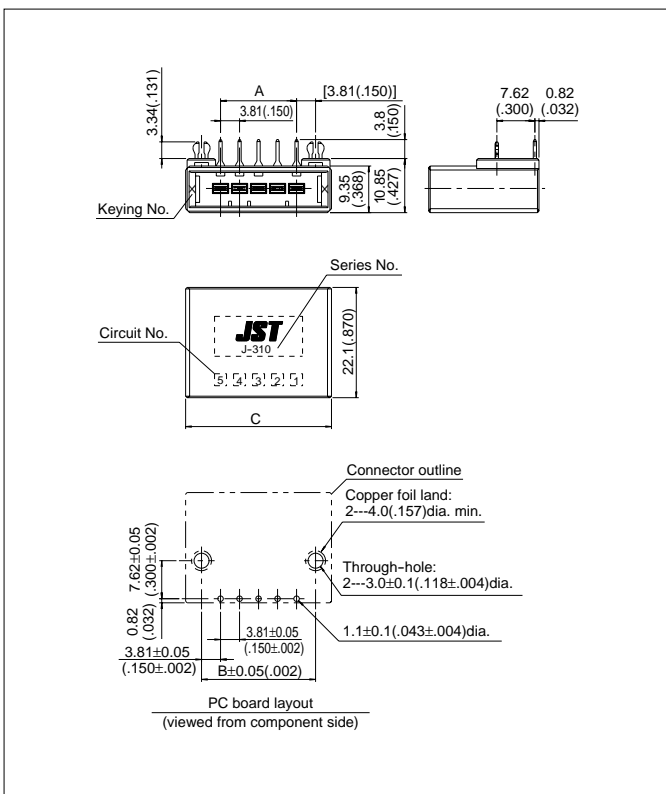
Circuits	Keying	Model No.	Dimensions mm(in.)			Q'ty / box
			A	B	C	
3	X	B03B-F31SK-GGXR	7.62(.300)	13.97(.550)	21.62(.851)	220
	Y	B03B-F31SK-GGYR	7.62(.300)	13.97(.550)	21.62(.851)	220
4	X	B04B-F31SK-GGXR	11.43(.450)	17.78(.700)	25.43(1.001)	180
	Y	B04B-F31SK-GGYR	11.43(.450)	17.78(.700)	25.43(1.001)	180
5	X	B05B-F31SK-GGXR	15.24(.600)	21.59(.850)	29.24(1.151)	160
	Y	B05B-F31SK-GGYR	15.24(.600)	21.59(.850)	29.24(1.151)	160
6	X	B06B-F31SK-GGXR	19.05(.750)	25.40(1.000)	33.05(1.301)	140
	Y	B06B-F31SK-GGYR	19.05(.750)	25.40(1.000)	33.05(1.301)	140
8	X	B08B-F31SK-GGXR	26.67(1.050)	33.02(1.300)	40.67(1.601)	120
	Y	B08B-F31SK-GGYR	26.67(1.050)	33.02(1.300)	40.67(1.601)	120
10	X	B10B-F31SK-GGXR	34.29(1.350)	40.64(1.600)	48.29(1.901)	100
	Y	B10B-F31SK-GGYR	34.29(1.350)	40.64(1.600)	48.29(1.901)	100

Material and Finish

Tab contact: Copper-alloy, nickel-undercoated, selective gold-plated
Housing: Glass-filled PBT, UL94V-0, black
Reinforcing metal fixture: Copper-alloy, copper-undercoated, tin/lead-plated

Note: Contact JST for the headers supplied in magazine stick.

Header (Side entry type)



Circuits	Keying	Model No.	Dimensions mm(in.)			Q'ty / box
			A	B	C	
3	X	S03B-F31SK-GGXR	7.62(.300)	15.24(.600)	21.62(.851)	165
	Y	S03B-F31SK-GGYR	7.62(.300)	15.24(.600)	21.62(.851)	165
4	X	S04B-F31SK-GGXR	11.43(.450)	19.05(.750)	25.43(1.001)	135
	Y	S04B-F31SK-GGYR	11.43(.450)	19.05(.750)	25.43(1.001)	135
5	X	S05B-F31SK-GGXR	15.24(.600)	22.86(.900)	29.24(1.151)	120
	Y	S05B-F31SK-GGYR	15.24(.600)	22.86(.900)	29.24(1.151)	120
6	X	S06B-F31SK-GGXR	19.05(.750)	26.67(1.050)	33.05(1.301)	105
	Y	S06B-F31SK-GGYR	19.05(.750)	26.67(1.050)	33.05(1.301)	105
8	X	S08B-F31SK-GGXR	26.67(1.050)	34.29(1.350)	40.67(1.601)	90
	Y	S08B-F31SK-GGYR	26.67(1.050)	34.29(1.350)	40.67(1.601)	90
10	X	S10B-F31SK-GGXR	34.29(1.350)	41.91(1.650)	48.29(1.901)	75
	Y	S10B-F31SK-GGYR	34.29(1.350)	41.91(1.650)	48.29(1.901)	75

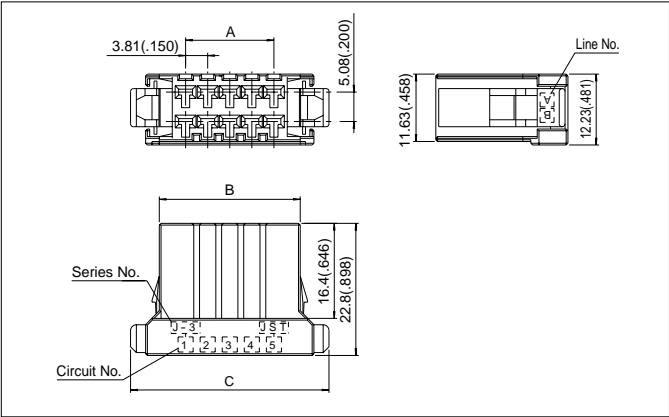
Material and Finish

Tab contact: Copper-alloy, nickel-undercoated, selective gold-plated, selective tin/lead-plated
Housing: Glass-filled PBT, UL94V-0, black
Reinforcing metal fixture: Copper-alloy, copper-undercoated, tin/lead-plated

Note: Contact JST for the headers supplied in magazine stick.

JFA CONNECTOR/J310D

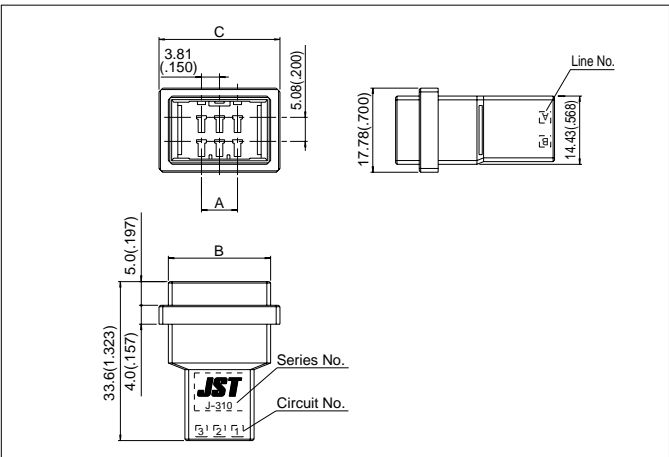
Receptacle housing



Circuits	Keying	Model No.	Dimensions mm(in.)			Q'ty / bag
			A	B	C	
6	-	F31FDS-06V-K	7.62(.300)	16.70(.657)	26.62(1.048)	200
8	-	F31FDS-08V-K	11.43(.450)	20.51(.807)	30.43(1.198)	100
10	-	F31FDS-10V-K	15.24(.600)	24.32(.957)	34.24(1.348)	100
12	-	F31FDS-12V-K	19.05(.750)	28.13(1.107)	38.05(1.498)	100
16	-	F31FDS-16V-K	26.67(1.050)	35.75(1.407)	45.67(1.798)	100
20	-	F31FDS-20V-K	34.29(1.350)	43.37(1.707)	53.29(2.098)	100

Material
Glass-filled PBT, UL94V-0, black

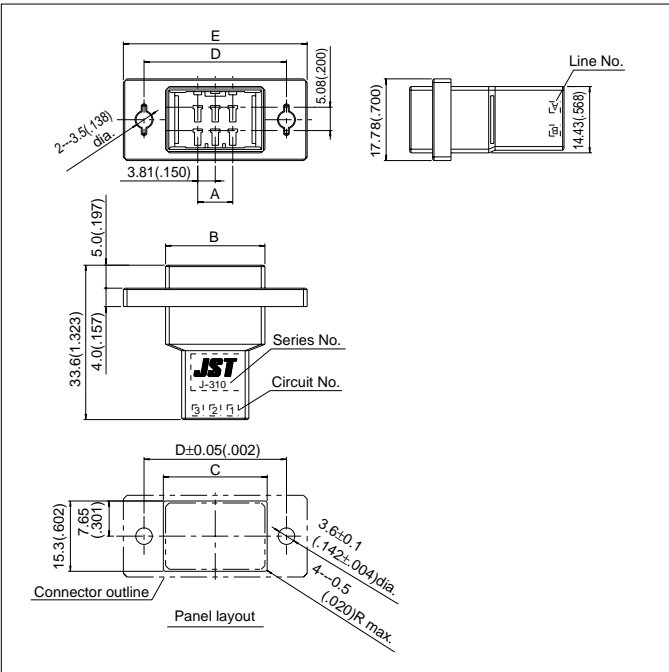
Tab housing (Free hanging type)



Circuits	Keying	Model No.	Dimensions mm(in.)			Q'ty / bag
			A	B	C	
6	-	F31MDF-06V-K	7.62(.300)	21.62(.851)	25.57(1.007)	200
8	-	F31MDF-08V-K	11.43(.450)	25.43(1.001)	29.38(1.157)	100
10	-	F31MDF-10V-K	15.24(.600)	29.24(1.151)	33.19(1.307)	100
12	-	F31MDF-12V-K	19.05(.750)	33.05(1.301)	37.00(1.457)	100
16	-	F31MDF-16V-K	26.67(1.050)	40.67(1.601)	44.62(1.757)	100
20	-	F31MDF-20V-K	34.29(1.350)	48.29(1.901)	52.24(2.057)	100

Material
Glass-filled PBT, UL94V-0, black

Tab housing (Panel mounting type)

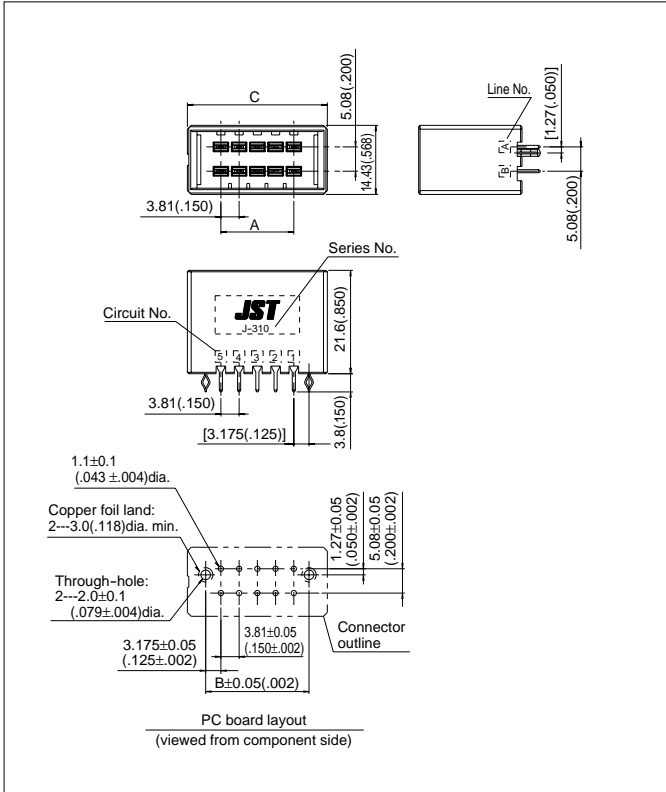


Circuits	Keying	Model No.	Dimensions mm(in.)					Q'ty / bag
			A	B	C	D	E	
6	-	F31MDP-06V-K	7.62(.300)	21.62(.851)	22.60(.890)	31.00(1.220)	40.00(1.575)	200
8	-	F31MDP-08V-K	11.43(.450)	25.43(1.001)	26.40(1.039)	34.50(1.358)	43.50(1.713)	100
10	-	F31MDP-10V-K	15.24(.600)	29.24(1.151)	30.20(1.189)	38.00(1.496)	47.00(1.850)	100
12	-	F31MDP-12V-K	19.05(.750)	33.05(1.301)	34.00(1.339)	42.00(1.654)	51.00(2.008)	100
16	-	F31MDP-16V-K	26.67(1.050)	40.67(1.601)	41.60(1.638)	50.00(1.969)	59.00(2.323)	100
20	-	F31MDP-20V-K	34.29(1.350)	48.29(1.901)	49.20(1.937)	58.00(2.283)	67.00(2.638)	100

Material
Glass-filled PBT, UL94V-0, black

JFA CONNECTOR/J310D

Header (Top entry type)



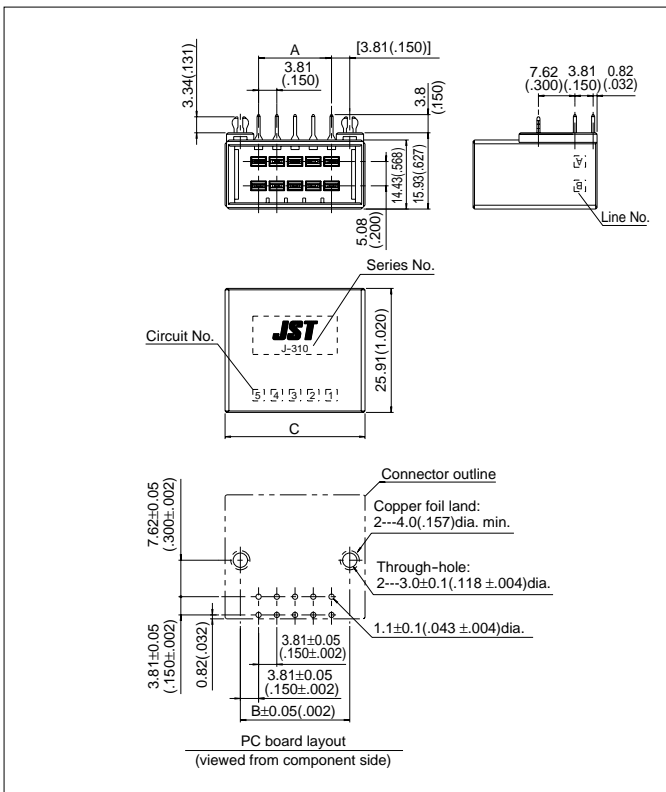
Circuits	Keying	Model No.	Dimensions mm(in.)			Q'ty / box
			A	B	C	
6	-	B06B-F31DK-GGR	7.62(.300)	13.97(.550)	21.62(.851)	132
8	-	B08B-F31DK-GGR	11.43(.450)	17.78(.700)	25.43(1.001)	108
10	-	B10B-F31DK-GGR	15.24(.600)	21.59(.850)	29.24(1.151)	96
12	-	B12B-F31DK-GGR	19.05(.750)	25.40(1.000)	33.05(1.301)	84
16	-	B16B-F31DK-GGR	26.67(1.050)	33.02(1.300)	40.67(1.601)	72
20	-	B20B-F31DK-GGR	34.29(1.350)	40.64(1.600)	48.29(1.901)	60

Material and Finish

Tab contact: Copper-alloy, nickel-undercoated, selective gold-plated, selective tin/lead-plated
Housing: Glass-filled PBT, UL94V-0, black
Reinforcing metal fixture: Copper-alloy, copper-undercoated, tin/lead-plated

Note: Contact JST for the headers supplied in magazine stick.

Header (Side entry type)



Circuits	Keying	Model No.	Dimensions mm(in.)			Q'ty / box
			A	B	C	
6	-	S06B-F31DK-GGR	7.62(.300)	15.24(.600)	21.62(.851)	88
8	-	S08B-F31DK-GGR	11.43(.450)	19.05(.750)	25.43(1.001)	72
10	-	S10B-F31DK-GGR	15.24(.600)	22.86(.900)	29.24(1.151)	64
12	-	S12B-F31DK-GGR	19.05(.750)	26.67(1.050)	33.05(1.301)	56
16	-	S16B-F31DK-GGR	26.67(1.050)	34.29(1.350)	40.67(1.601)	48
20	-	S20B-F31DK-GGR	34.29(1.350)	41.91(1.650)	48.29(1.901)	40

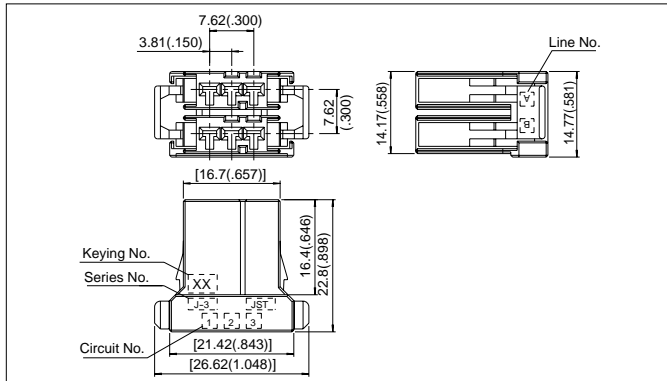
Material and Finish

Tab contact: Copper-alloy, nickel-undercoated, selective gold-plated, selective tin/lead-plated
Housing: Glass-filled PBT, UL94V-0, black
Reinforcing metal fixture: Copper-alloy, copper-undercoated, tin/lead-plated

Note: Contact JST for the headers supplied in magazine stick.

JFA CONNECTOR/J310M

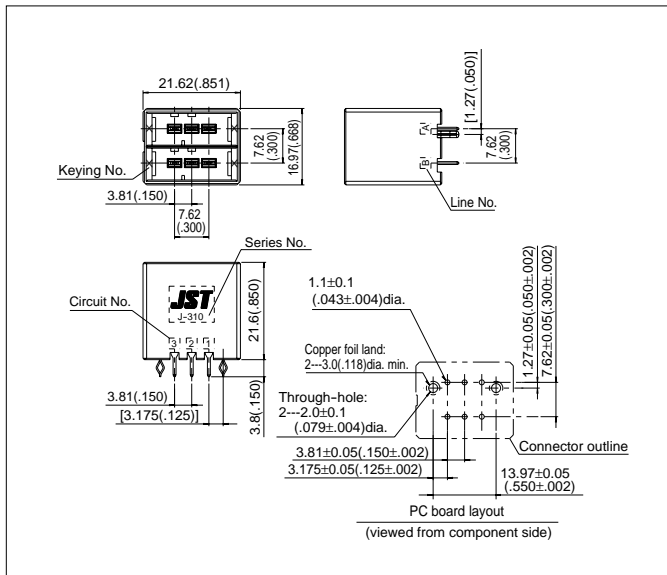
Receptacle housing



Circuits	Keying	Model No.	Q'ty / bag
6	XX	F31FMS-06V-KXX	100
	YY	F31FMS-06V-KYY	100
	XY	F31FMS-06V-KXY	100

Material			
Glass-filled PBT, UL94V-0, black			

Header (Top entry type)

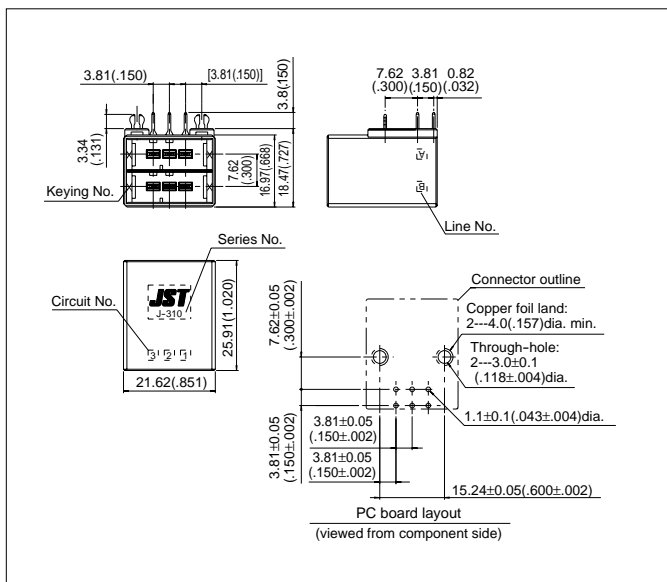


Circuits	Keying	Model No.	Q'ty / box
6	XX	B06B-F31MK-GGXXR	132
	YY	B06B-F31MK-GGYR	132
	XY	B06B-F31MK-GGXYR	132

Material and Finish			
Tab contact: Copper-alloy, nickel-undercoated, selective gold-plated, selective tin/lead-plated			
Housing: Glass-filled PBT, UL94V-0, black			
Reinforcing metal fixture: Copper-alloy, copper-undercoated, tin/lead-plated			

Note: Contact JST for the headers supplied in magazine stick.

Header (Side entry type)



Circuits	Keying	Model No.	Q'ty / box
6	XX	S06B-F31MK-GGXXR	88
	YY	S06B-F31MK-GGYR	88
	XY	S06B-F31MK-GGXYR	88

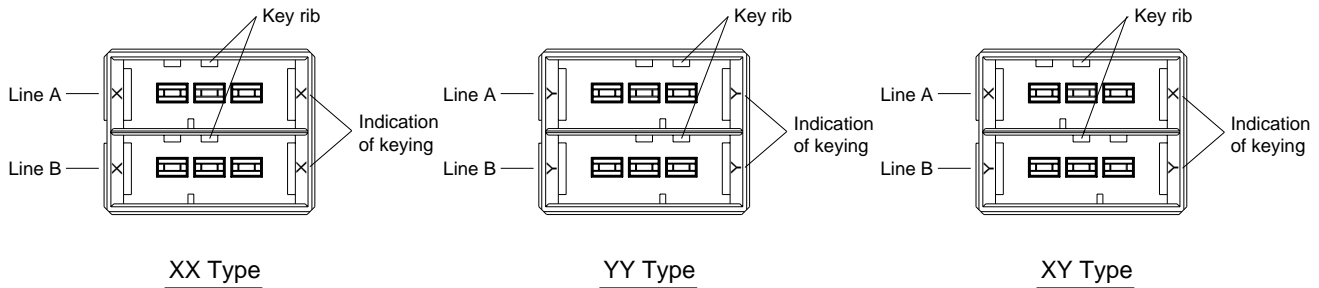
Material and Finish			
Tab contact: Copper-alloy, nickel-undercoated, selective gold-plated, selective tin/lead-plated			
Housing: Glass-filled PBT, UL94V-0, black			
Reinforcing metal fixture: Copper-alloy, copper-undercoated, tin/lead-plated			

Note: Contact JST for the headers supplied in magazine stick.

JFA CONNECTOR/J310M

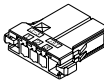
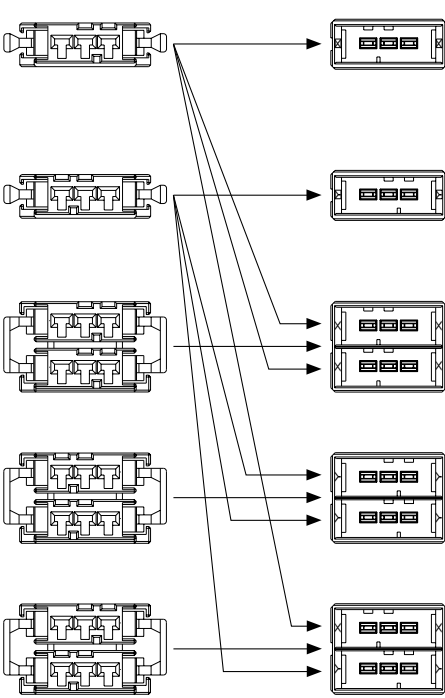


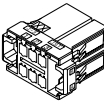
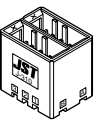
Keying

J310M series have mis-insertion preventive keying.
Available in 3 types – XX type, YY type and XY type.
(Headers viewed from the mating side are shown below.)



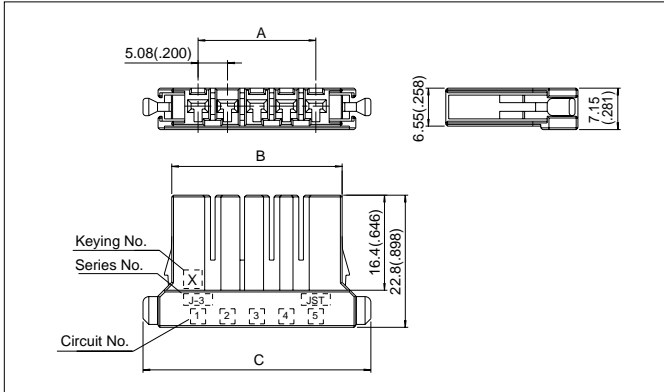
List of combinations

With the combination of the J310M headers and the J310M/J310S receptacle housings, the following modular combination are possible.

Receptacle housing		Header				
		Top entry type		Side entry type		
Single-row 3-circuits (J310S) 	X Type F31FSS-03V-KX		Single-row 3-circuits (J310S) 	X Type B03B-F31SK-GGX	Single-row 3-circuits (J310S) 	X Type S03B-F31SK-GGX
	Y Type F31FSS-03V-KY		Y Type B03B-F31SK-GGY	Y Type S03B-F31SK-GGY		
Double-row 6-circuits (J310M) 	XX Type F31FMS-06V-KXX		XX Type B06B-F31MK-GGX	Double-row 6-circuits (J310M) 	XX Type S06B-F31MK-GGX	
	YY Type F31FMS-06V-KYY		YY Type B06B-F31MK-GGY	YY Type S06B-F31MK-GGY		
	XY Type F31FMS-06V-KXY		XY Type B06B-F31MK-GGY	XY Type S06B-F31MK-GGY		

JFA CONNECTOR/J320S

Receptacle housing

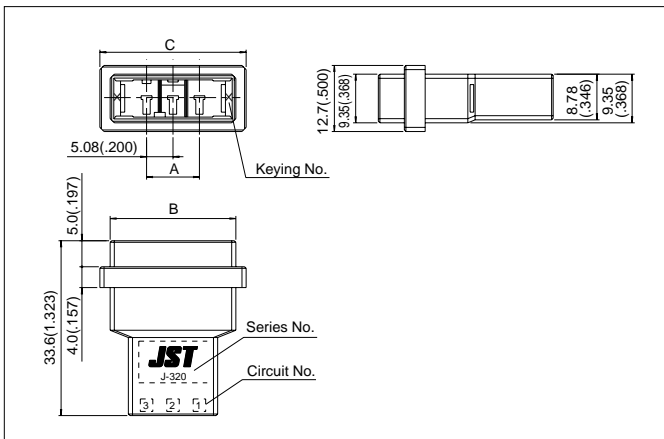


Circuits	Keying	Model No.	Dimensions mm(in.)			Q'ty / bag
			A	B	C	
2	X	F32FSS-02V-KX	5.08(.200)	14.16(.557)	24.08(.948)	200
	Y	F32FSS-02V-KY	5.08(.200)	14.16(.557)	24.08(.948)	200
3	X	F32FSS-03V-KX	10.16(.400)	19.24(.757)	29.16(1.148)	200
	Y	F32FSS-03V-KY	10.16(.400)	19.24(.757)	29.16(1.148)	200
4	X	F32FSS-04V-KX	15.24(.600)	24.32(.957)	34.24(1.348)	200
	Y	F32FSS-04V-KY	15.24(.600)	24.32(.957)	34.24(1.348)	200
5	X	F32FSS-05V-KX	20.32(.800)	29.40(1.157)	39.32(1.548)	200
	Y	F32FSS-05V-KY	20.32(.800)	29.40(1.157)	39.32(1.548)	200
6	X	F32FSS-06V-KX	25.40(1.000)	34.48(1.357)	44.40(1.748)	100
	Y	F32FSS-06V-KY	25.40(1.000)	34.48(1.357)	44.40(1.748)	100

Material

Glass-filled PBT, UL94V-0, black

Tab housing (Free hanging type)

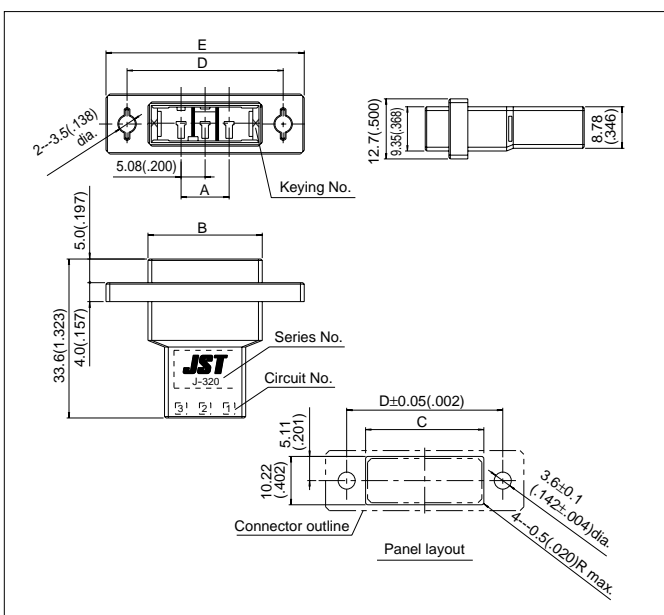


Circuits	Keying	Model No.	Dimensions mm(in.)			Q'ty / bag
			A	B	C	
2	X	F32MSF-02V-KX	5.08(.200)	19.08(.751)	23.03(.907)	200
	Y	F32MSF-02V-KY	5.08(.200)	19.08(.751)	23.03(.907)	200
3	X	F32MSF-03V-KX	10.16(.400)	24.16(.951)	28.11(1.107)	200
	Y	F32MSF-03V-KY	10.16(.400)	24.16(.951)	28.11(1.107)	200
4	X	F32MSF-04V-KX	15.24(.600)	29.24(1.151)	33.19(1.307)	200
	Y	F32MSF-04V-KY	15.24(.600)	29.24(1.151)	33.19(1.307)	200

Material

Glass-filled PBT, UL94V-0, black

Tab housing (Panel mounting type)



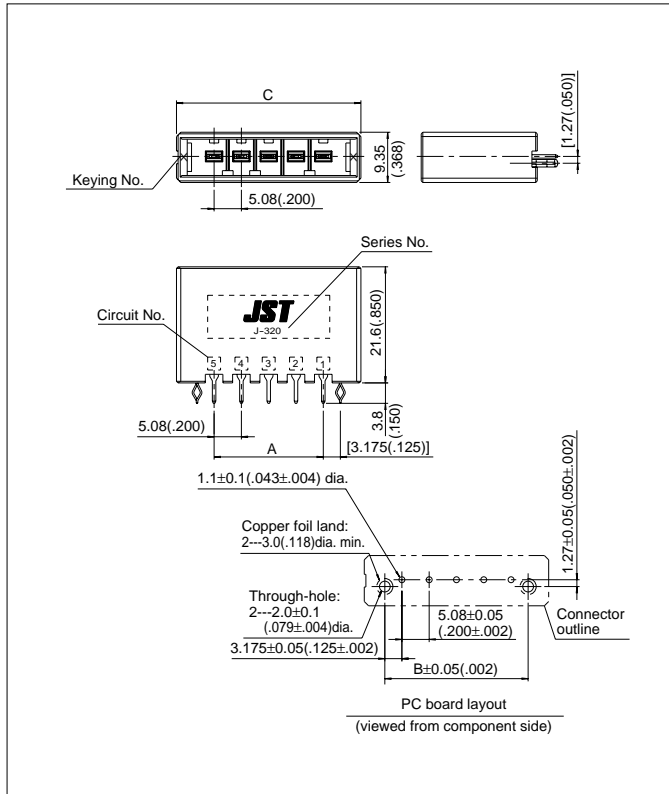
Circuits	Keying	Model No.	Dimensions mm(in.)					Q'ty / bag
			A	B	C	D	E	
2	X	F32MSP-02V-KX	5.08(.200)	19.08(.751)	20.00(.787)	28.00(1.102)	36.83(1.450)	200
	Y	F32MSP-02V-KY	5.08(.200)	19.08(.751)	20.00(.787)	28.00(1.102)	36.83(1.450)	200
3	X	F32MSP-03V-KX	10.16(.400)	24.16(.951)	25.00(.984)	33.00(1.299)	41.91(1.650)	200
	Y	F32MSP-03V-KY	10.16(.400)	24.16(.951)	25.00(.984)	33.00(1.299)	41.91(1.650)	200
4	X	F32MSP-04V-KX	15.24(.600)	29.24(1.151)	30.00(1.181)	38.00(1.496)	46.99(1.850)	200
	Y	F32MSP-04V-KY	15.24(.600)	29.24(1.151)	30.00(1.181)	38.00(1.496)	46.99(1.850)	200

Material

Glass-filled PBT, UL94V-0, black

JFA CONNECTOR/J320S

Header (Top entry type)



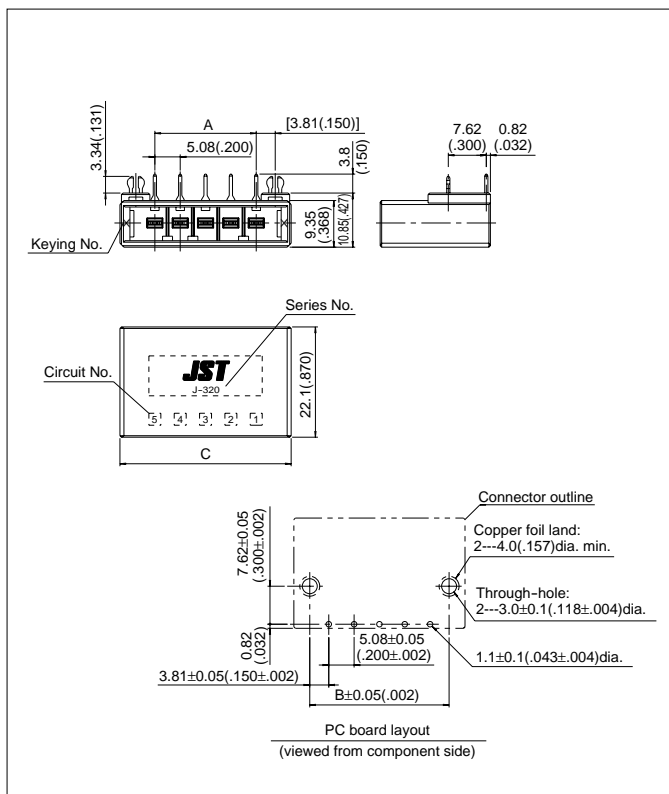
Circuits	Keying	Model No.	Dimensions mm(in.)			Q'ty / box
			A	B	C	
2	X	B02B-F32SK-GGXR	5.08 (.200)	11.43 (.450)	19.08 (.751)	240
	Y	B02B-F32SK-GGYR	5.08 (.200)	11.43 (.450)	19.08 (.751)	240
3	X	B03B-F32SK-GGXR	10.16 (.400)	16.51 (.650)	24.16 (.951)	200
	Y	B03B-F32SK-GGYR	10.16 (.400)	16.51 (.650)	24.16 (.951)	200
4	X	B04B-F32SK-GGXR	15.24 (.600)	21.59 (.850)	29.24 (1.151)	160
	Y	B04B-F32SK-GGYR	15.24 (.600)	21.59 (.850)	29.24 (1.151)	160
5	X	B05B-F32SK-GGXR	20.32 (.800)	26.67 (1.050)	34.32 (1.351)	140
	Y	B05B-F32SK-GGYR	20.32 (.800)	26.67 (1.050)	34.32 (1.351)	140
6	X	B06B-F32SK-GGXR	25.40 (1.000)	31.75 (1.250)	39.40 (1.551)	120
	Y	B06B-F32SK-GGYR	25.40 (1.000)	31.75 (1.250)	39.40 (1.551)	120

Material and Finish

Tab contact: Copper-alloy, nickel-undercoated, selective gold-plated, selective tin/lead-plated
Housing: Glass-filled PBT, UL94V-0, black
Reinforcing metal fixture: Copper-alloy, copper-undercoated, tin/lead-plated

Note: Contact JST for the headers supplied in magazine stick.

Header (Side entry type)



Circuits	Keying	Model No.	Dimensions mm(in.)			Q'ty / box
			A	B	C	
2	X	S02B-F32SK-GGXR	5.08 (.200)	12.70 (.500)	19.08 (.751)	180
	Y	S02B-F32SK-GGYR	5.08 (.200)	12.70 (.500)	19.08 (.751)	180
3	X	S03B-F32SK-GGXR	10.16 (.400)	17.78 (.700)	24.16 (.951)	150
	Y	S03B-F32SK-GGYR	10.16 (.400)	17.78 (.700)	24.16 (.951)	150
4	X	S04B-F32SK-GGXR	15.24 (.600)	22.86 (.900)	29.24 (1.151)	120
	Y	S04B-F32SK-GGYR	15.24 (.600)	22.86 (.900)	29.24 (1.151)	120
5	X	S05B-F32SK-GGXR	20.32 (.800)	27.94 (1.100)	34.32 (1.351)	105
	Y	S05B-F32SK-GGYR	20.32 (.800)	27.94 (1.100)	34.32 (1.351)	105
6	X	S06B-F32SK-GGXR	25.40 (1.000)	33.02 (1.300)	39.40 (1.551)	90
	Y	S06B-F32SK-GGYR	25.40 (1.000)	33.02 (1.300)	39.40 (1.551)	90

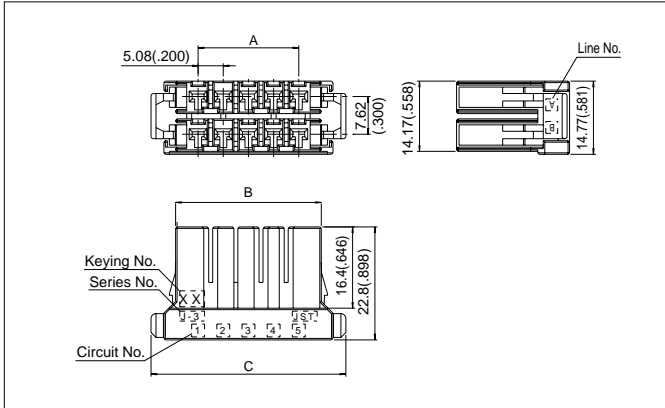
Material and Finish

Tab contact: Copper-alloy, nickel-undercoated, selective gold-plated, selective tin/lead-plated
Housing: Glass-filled PBT, UL94V-0, black
Reinforcing metal fixture: Copper-alloy, copper-undercoated, tin/lead-plated

Note: Contact JST for the headers supplied in magazine stick.

JFA CONNECTOR/J320M

Receptacle housing

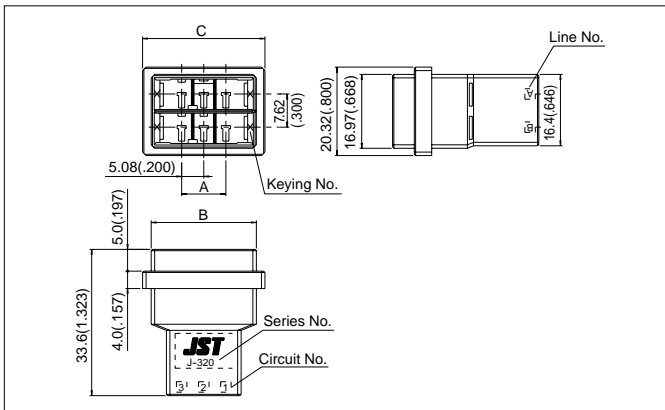


Circuits	Keying	Model No.	Dimensions mm(in.)			Q'ty / bag
			A	B	C	
6	XX	F32FMS-06V-KXX	10.16(.400)	19.24(.757)	29.16(1.148)	100
	YY	F32FMS-06V-KYY	10.16(.400)	19.24(.757)	29.16(1.148)	100
	XY	F32FMS-06V-KXY	10.16(.400)	19.24(.757)	29.16(1.148)	100
10	XX	F32FMS-10V-KXX	20.32(.800)	29.40(1.157)	39.32(1.548)	100
	YY	F32FMS-10V-KYY	20.32(.800)	29.40(1.157)	39.32(1.548)	100
12	XX	F32FMS-12V-KXX	25.40(1.000)	34.48(1.357)	44.40(1.748)	100
	YY	F32FMS-12V-KYY	25.40(1.000)	34.48(1.357)	44.40(1.748)	100
	XY	F32FMS-12V-KXY	25.40(1.000)	34.48(1.357)	44.40(1.748)	100

Material

Glass-filled PBT, UL94V-0, black

Tab housing (Free hanging type)

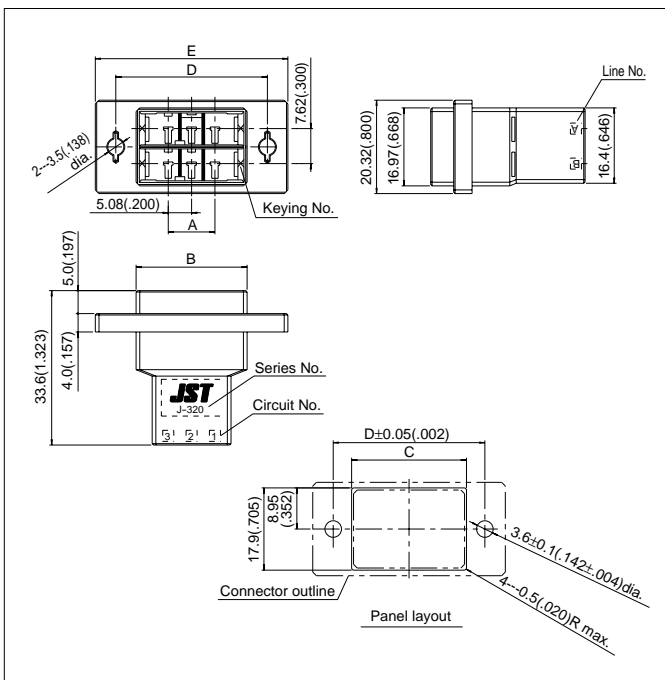


Circuits	Keying	Model No.	Dimensions mm(in.)			Q'ty / bag
			A	B	C	
6	XX	F32MDF-06V-KXX	10.16(.400)	24.16(.951)	28.11(1.107)	100
	YY	F32MDF-06V-KYY	10.16(.400)	24.16(.951)	28.11(1.107)	100
	XY	F32MDF-06V-KXY	10.16(.400)	24.16(.951)	28.11(1.107)	100
12	XX	F32MDF-12V-KXX	25.40(1.000)	39.40(1.551)	43.35(1.707)	100
	YY	F32MDF-12V-KYY	25.40(1.000)	39.40(1.551)	43.35(1.707)	100
	XY	F32MDF-12V-KXY	25.40(1.000)	39.40(1.551)	43.35(1.707)	100

Material

Glass-filled PBT, UL94V-0, black

Tab housing (Panel mounting type)



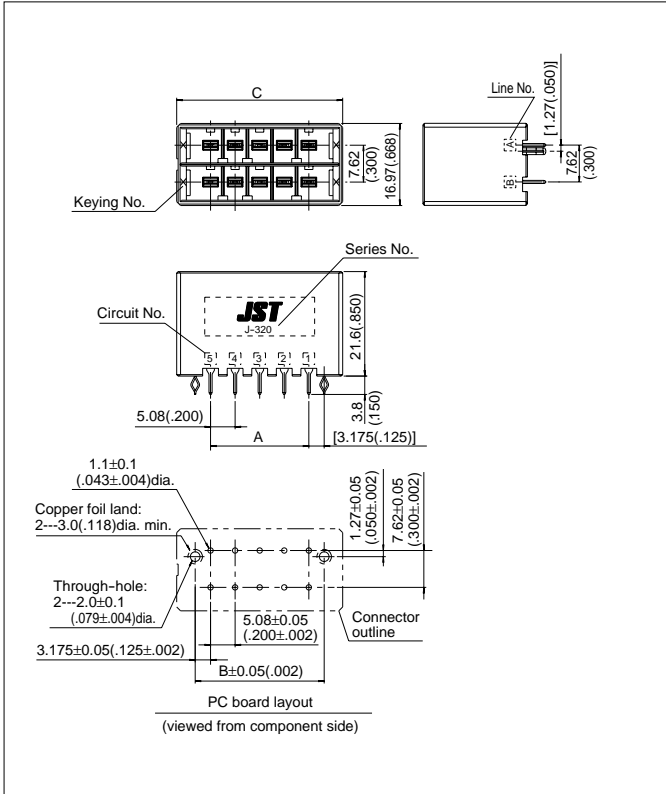
Circuits	Keying	Model No.	Dimensions mm(in.)					Q'ty / bag
			A	B	C	D	E	
6	XX	F32MDP-06V-KXX	10.16(.400)	24.16(.951)	25.00(.984)	33.00(1.299)	41.91(1.650)	100
	YY	F32MDP-06V-KYY	10.16(.400)	24.16(.951)	25.00(.984)	33.00(1.299)	41.91(1.650)	100
	XY	F32MDP-06V-KXY	10.16(.400)	24.16(.951)	25.00(.984)	33.00(1.299)	41.91(1.650)	100
12	XX	F32MDP-12V-KXX	25.40(1.000)	39.40(1.551)	41.00(1.614)	49.00(1.929)	57.91(2.280)	100
	YY	F32MDP-12V-KYY	25.40(1.000)	39.40(1.551)	41.00(1.614)	49.00(1.929)	57.91(2.280)	100
	XY	F32MDP-12V-KXY	25.40(1.000)	39.40(1.551)	41.00(1.614)	49.00(1.929)	57.91(2.280)	100

Material

Glass-filled PBT, UL94V-0, black

JFA CONNECTOR/J320M

Header (Top entry type)



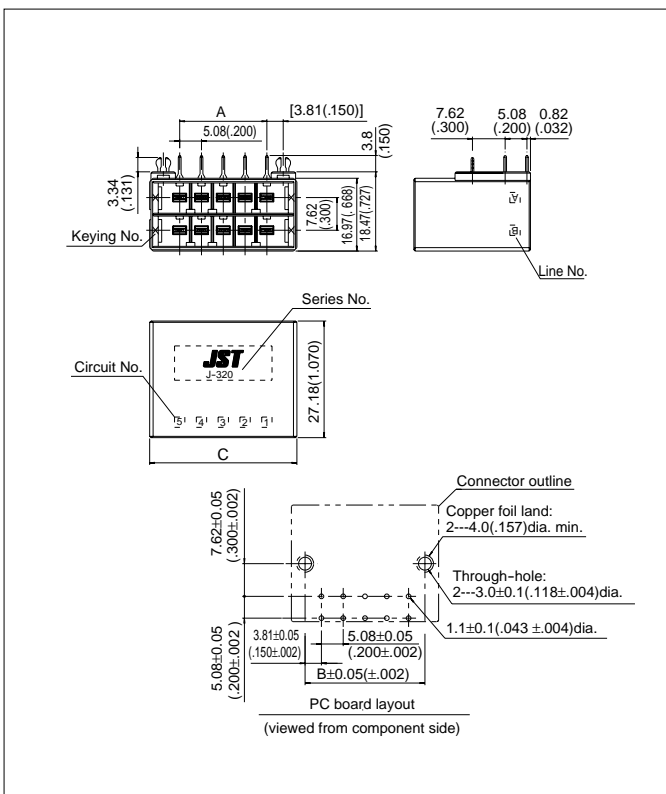
Circuits	Keying	Model No.	Dimensions mm(in.)			Q'ty / box
			A	B	C	
6	XX	B06B-F32MK-GGXXR	10.16 (.400)	16.51 (.650)	24.16 (.951)	120
	YY	B06B-F32MK-GGYR	10.16 (.400)	16.51 (.650)	24.16 (.951)	120
	XY	B06B-F32MK-GGXRYR	10.16 (.400)	16.51 (.650)	24.16 (.951)	120
10	XX	B10B-F32MK-GGXXR	20.32 (.800)	26.67 (1.050)	34.32 (1.351)	84
	YY	B10B-F32MK-GGYR	20.32 (.800)	26.67 (1.050)	34.32 (1.351)	84
	XY	B10B-F32MK-GGXRYR	20.32 (.800)	26.67 (1.050)	34.32 (1.351)	84
12	XX	B12B-F32MK-GGXXR	25.40 (1.000)	31.75 (1.250)	39.40 (1.551)	72
	YY	B12B-F32MK-GGYR	25.40 (1.000)	31.75 (1.250)	39.40 (1.551)	72
	XY	B12B-F32MK-GGXRYR	25.40 (1.000)	31.75 (1.250)	39.40 (1.551)	72

Material and Finish

Tab contact: Copper-alloy, nickel-undercoated, selective gold-plated, selective tin/lead-plated
 Housing: Glass-filled PBT, UL94V-0, black
 Reinforcing metal fixture: Copper-alloy, copper-undercoated, tin/lead-plated

Note: Contact JST for the headers supplied in magazine stick.

Header (Side entry type)



Circuits	Keying	Model No.	Dimensions mm(in.)			Q'ty / box
			A	B	C	
6	XX	S06B-F32MK-GGXXR	10.16 (.400)	17.78 (.700)	24.16 (.951)	80
	YY	S06B-F32MK-GGYR	10.16 (.400)	17.78 (.700)	24.16 (.951)	80
	XY	S06B-F32MK-GGXRYR	10.16 (.400)	17.78 (.700)	24.16 (.951)	80
10	XX	S10B-F32MK-GGXXR	20.32 (.800)	27.94 (1.100)	34.32 (1.351)	56
	YY	S10B-F32MK-GGYR	20.32 (.800)	27.94 (1.100)	34.32 (1.351)	56
	XY	S10B-F32MK-GGXRYR	20.32 (.800)	27.94 (1.100)	34.32 (1.351)	56
12	XX	S12B-F32MK-GGXXR	25.40 (1.000)	33.02 (1.300)	39.40 (1.551)	48
	YY	S12B-F32MK-GGYR	25.40 (1.000)	33.02 (1.300)	39.40 (1.551)	48
	XY	S12B-F32MK-GGXRYR	25.40 (1.000)	33.02 (1.300)	39.40 (1.551)	48

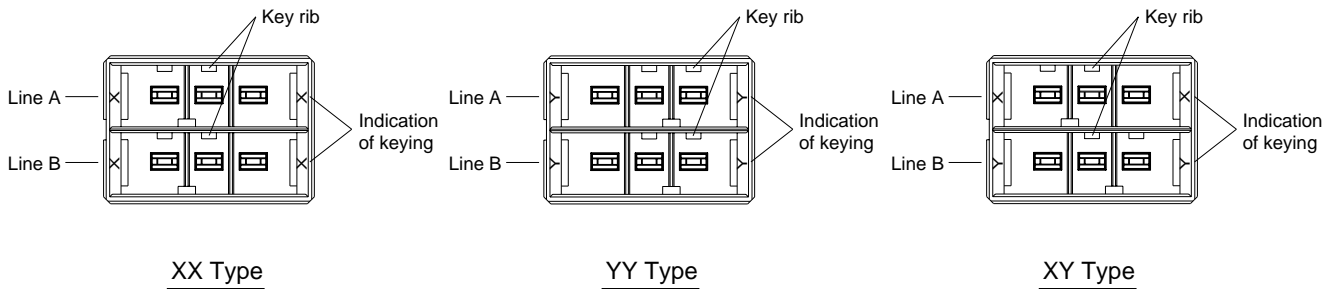
Material and Finish

Tab contact: Copper-alloy, nickel-undercoated, selective gold-plated, selective tin/lead-plated
 Housing: Glass-filled PBT, UL94V-0, black
 Reinforcing metal fixture: Copper-alloy, copper-undercoated, tin/lead-plated

Note: Contact JST for the headers supplied in magazine stick.

Keying

J320M series have mis-insertion preventive keying.
Available in 3 types – XX type, YY type and XY type.
(Headers viewed from the mating side are shown below.)



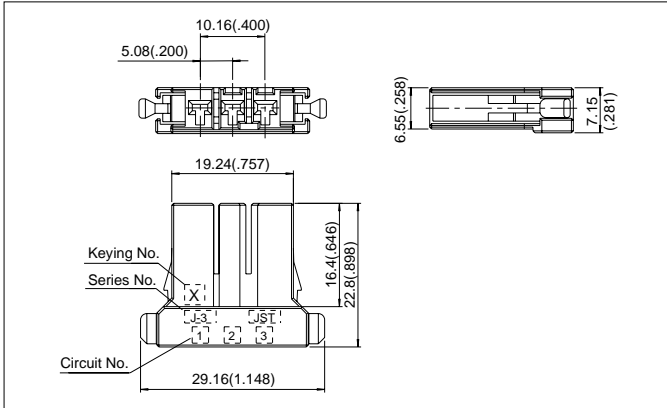
List of combinations

With the combination of the J320M headers and the J320M/J320S receptacle housings, the following modular combinations are possible.

Receptacle housing		Tab housing		Header	
Single-row 3, 5, 6-circuits (J320S) 	X type F32FSS-■V-KX		X type Free hanging type F32MSF-■V-KX Panel mounting type F32MSP-■V-KX	Single-row 3, 5, 6-circuits (J320S) 	X type Top entry type B■B-F32SK-GGX■ Side entry type S■B-F32SK-GGX■
	Y type F32FSS-■V-KY		Y type Free hanging type F32MSF-■V-KY Panel mounting type F32MSP-■V-KY		Y type Top entry type B■B-F32SK-GGY■ Side entry type S■B-F32SK-GGY■
Double-row 6, 10, 12-circuits (J320M) 	XX type F32FMS-■V-KXX		XX type Free hanging type F32MDF-■V-KXX Panel mounting type F32MDP-■V-KXX	Double-row 6, 10, 12-circuits (J320M) 	XX type Top entry type B■B-F32MK-GGX■ Side entry type S■B-F32MK-GGX■
	YY type F32FMS-■V-KYY		YY type Free hanging type F32MDF-■V-KYY Panel mounting type F32MDP-■V-KYY		YY type Top entry type B■B-F32MK-GGY■ Side entry type S■B-F32MK-GGY■
	XY type F32FMS-■V-KXY		XY type Free hanging type F32MDF-■V-KXY Panel mounting type F32MDP-■V-KXY		XY type Top entry type B■B-F32MK-GGY■ Side entry type S■B-F32MK-GGY■

JFA CONNECTOR/J320T

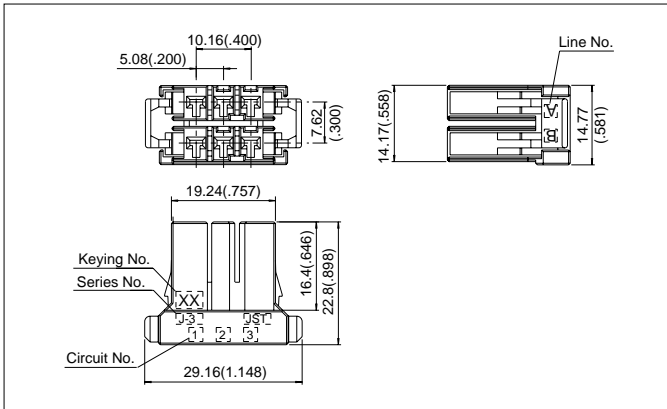
Receptacle housing



Circuits	Keying	Model No.	Q'ty / bag
3	X	F32FSS-03V-KX	200
	Y	F32FSS-03V-KY	200

Material

Glass-filled PBT, UL94V-0, black

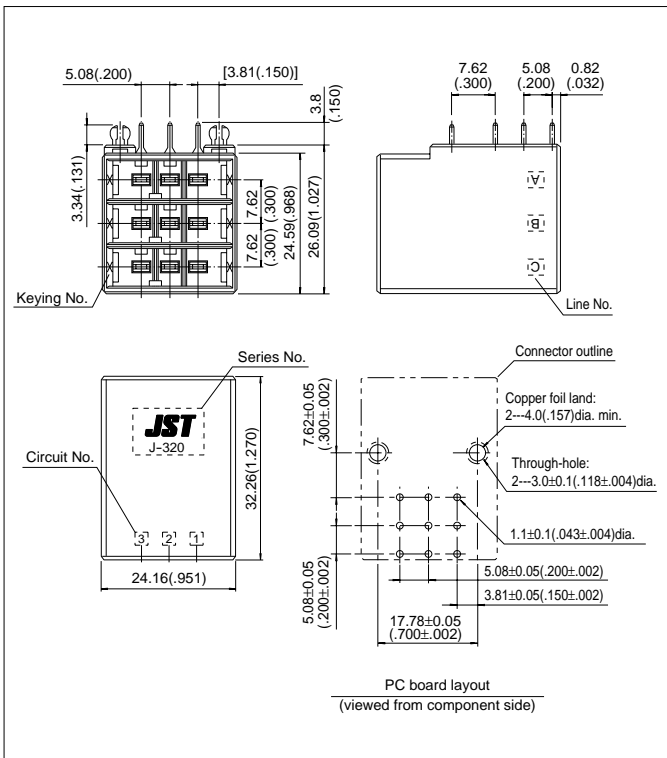


Circuits	Keying	Model No.	Q'ty / bag
6	XX	F32FMS-06V-KXX	100
	YY	F32FMS-06V-KYY	100
	XY	F32FMS-06V-KXY	100

Material

Glass-filled PBT, UL94V-0, black

Header (Side entry type)



Circuits	Keying	Model No.	Q'ty / box
9	XXX	S09B-F32TK-GGXAR	42
	XXY	S09B-F32TK-GGXBR	42
	XYX	S09B-F32TK-GGXCR	42
	YYX	S09B-F32TK-GGXDR	42

Material and Finish

Tab contact: Copper-alloy, nickel-undercoated, selective gold-plated, selective tin/lead-plated

Housing: Glass-filled PBT, UL94V-0, black

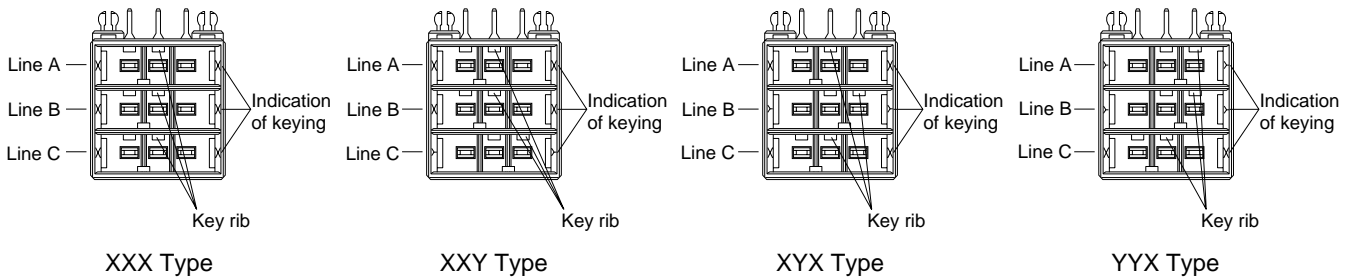
Reinforcing metal fixture: Copper-alloy, copper-undercoated, tin/lead-plated

Note: Not CSA/TÜV approved.

JFA CONNECTOR/J320T

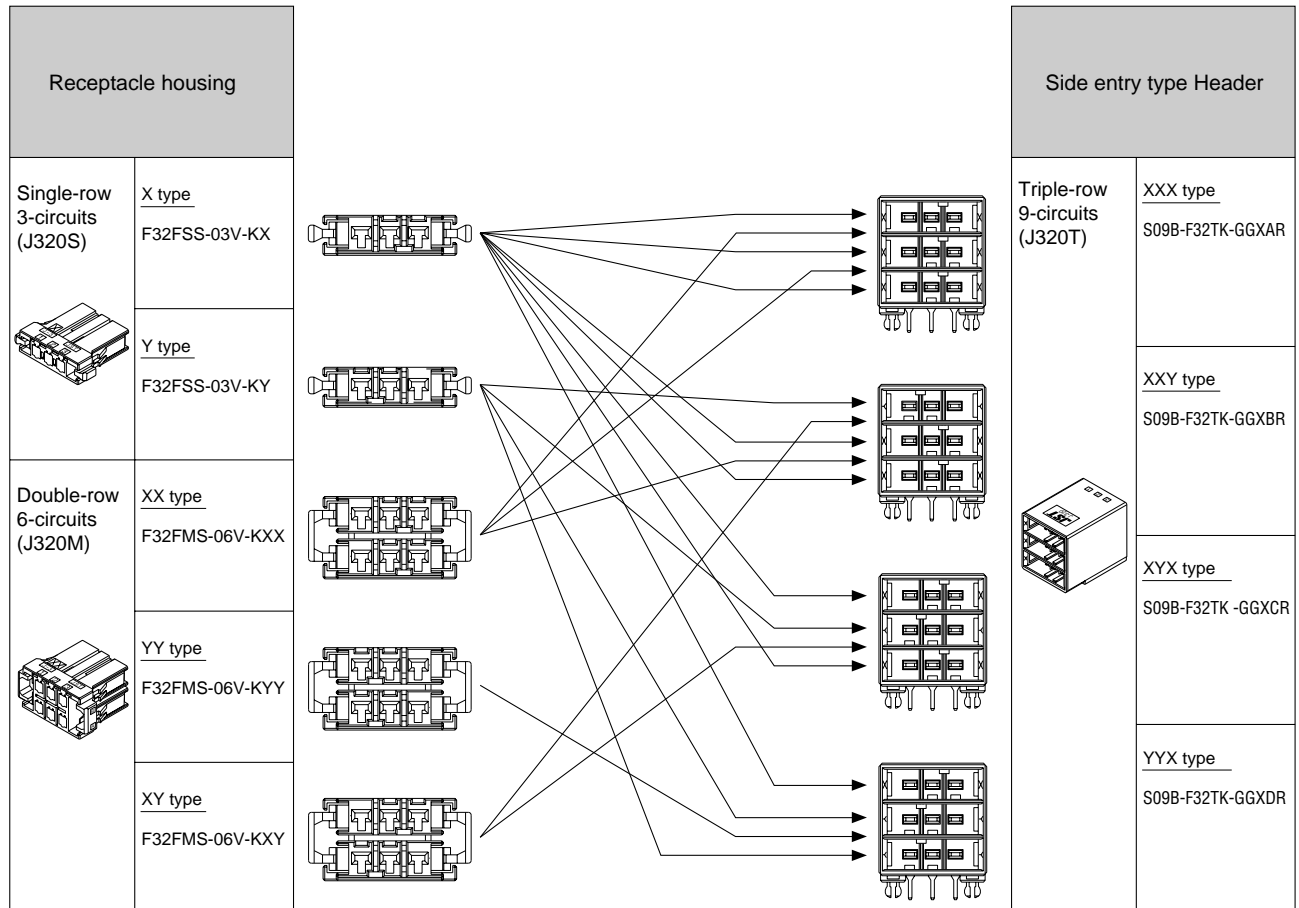
Keying

J320T series have mis-insertion preventive keying.
Available in 4 types – XXX type, XXY type, XYX type and YYX type.
(Headers viewed from the mating side are shown below.)



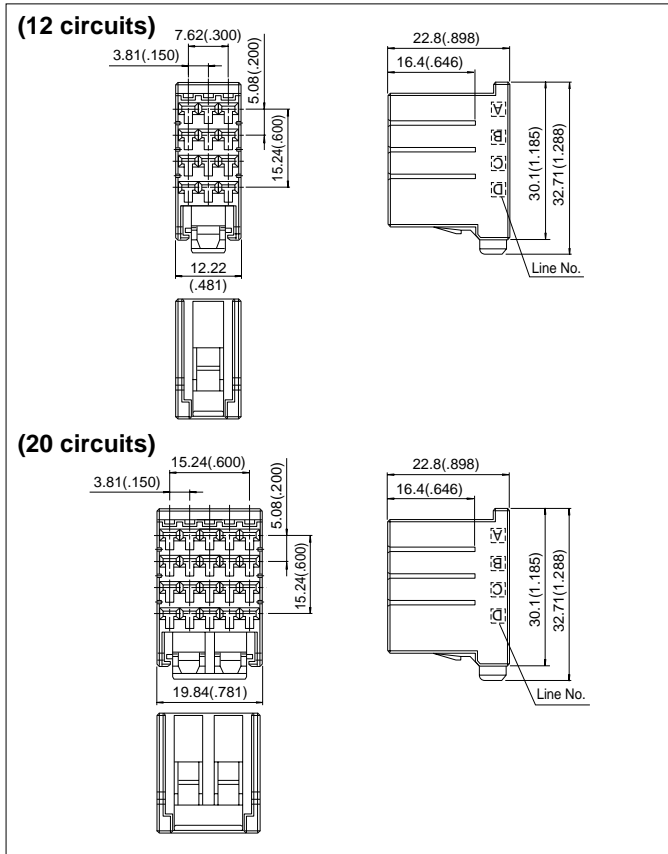
List of combinations

With the combination of the J320T headers and the J320S/J320M receptacle housings, the following modular combinations are possible.



JFA CONNECTOR/J340F

Receptacle housing



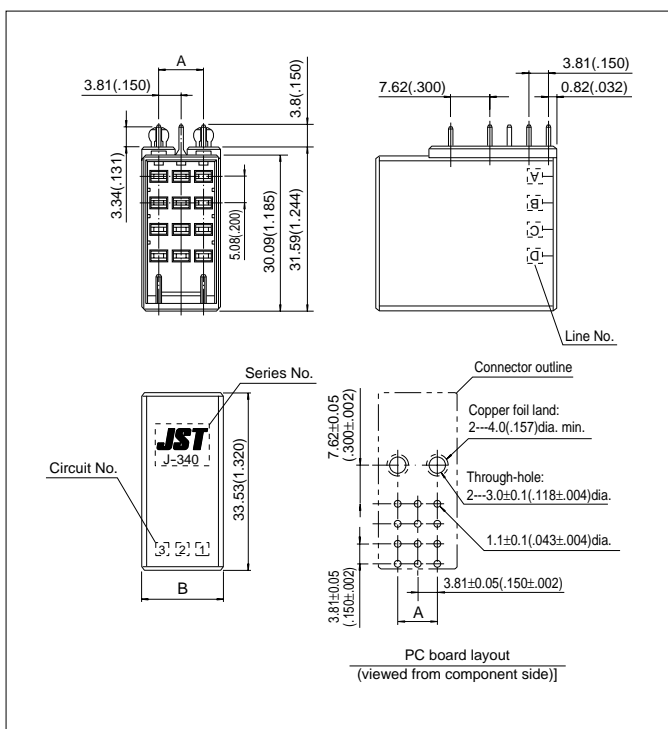
Circuits	Keying	Model No.	Q'ty / bag
12	—	F34FFC-12V-K	100
20	—	F34FFC-20V-K	100

Material

Glass-filled PBT, UL94V-0, black

Note: Not CSA/TÜV approved.

Header (Side entry type)



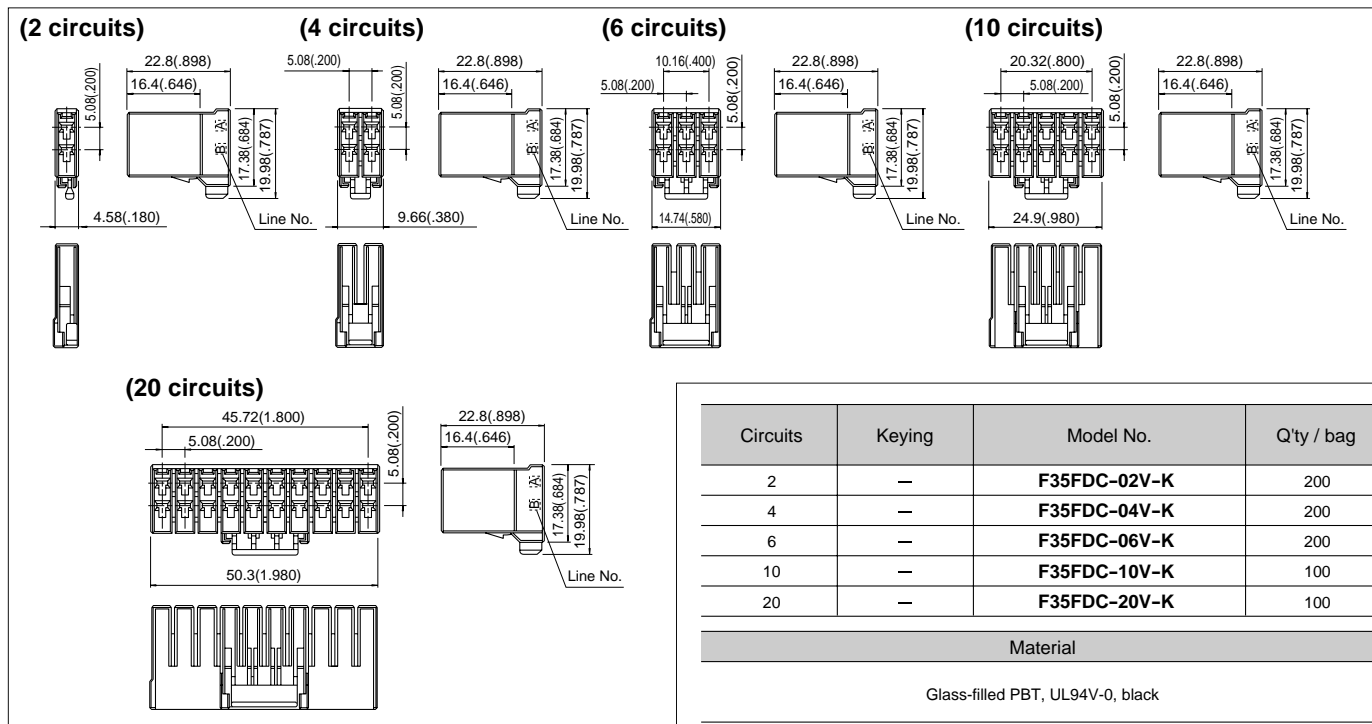
Circuits	Keying	Model No.	Dimensions mm(in.)		Q'ty / box
			A	B	
12	—	SC12B-F34FK-GGR	7.62(.300)	15.02(.591)	63
20	—	SC20B-F34FK-GGR	15.24(.600)	22.64(.891)	42

Material and Finish

Tab contact: Copper-alloy, nickel-undercoated, selective gold-plated, selective tin/lead-plated
Housing: Glass-filled PBT, UL94V-0, black
Reinforcing metal fixture: Copper-alloy, copper-undercoated, tin/lead-plated

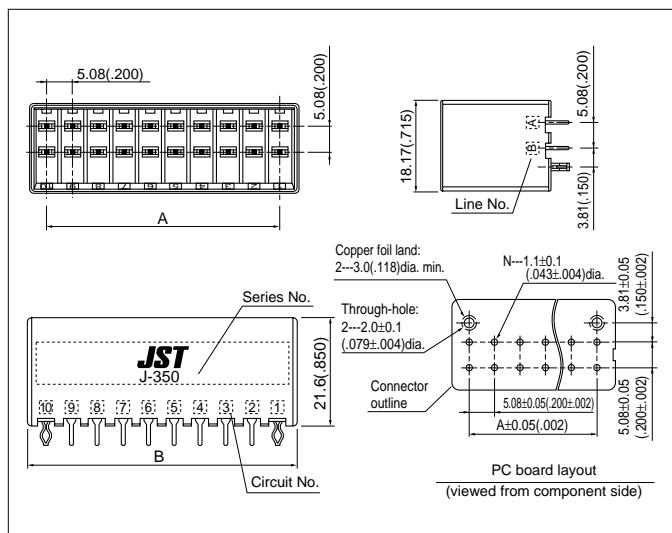
Note: Not CSA/TÜV approved.

Receptacle housing



Note: Not CSA/TÜV approved.

Header (Top entry type)



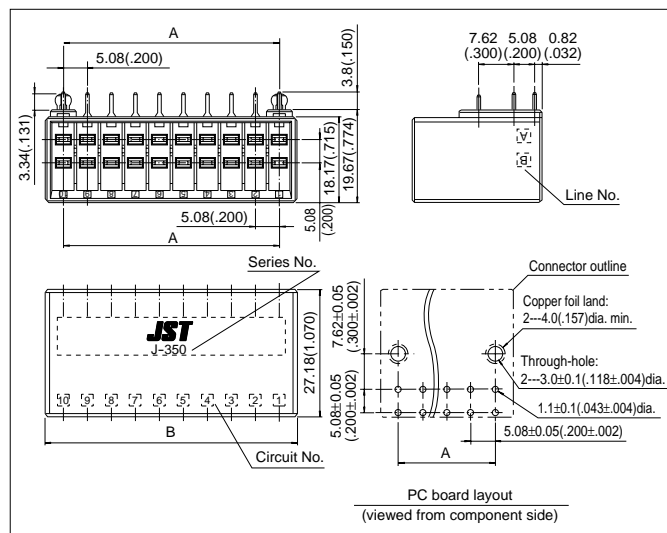
Circuits	Keying	Model No.	Dimensions mm(in.)		Q'ty / box
			A	B	
12	—	BC12B-F35DK-GGR	25.4 (1.000)	32.48(1.279)	56
20	—	BC20B-F35DK-GGR	45.72(1.800)	52.8 (2.079)	32

Material and Finish

Tab contact: Copper alloy, nickel-undercoated, selective gold-plated, selective tin/lead-plated
Housing: Glass-filled PBT, UL94V-0, black
Reinforcing metal fixture: Copper alloy, copper-undercoated, tin/lead-plated

Note: Not CSA/TÜV approved.

Header (Side entry type)



Circuits	Keying	Model No.	Dimensions mm(in.)		Q'ty / box
			A	B	
12	—	SC12B-F35DK-GGR	25.4 (1.000)	32.48(1.279)	56
20	—	SC20B-F35DK-GGR	45.72(1.800)	52.8 (2.079)	32

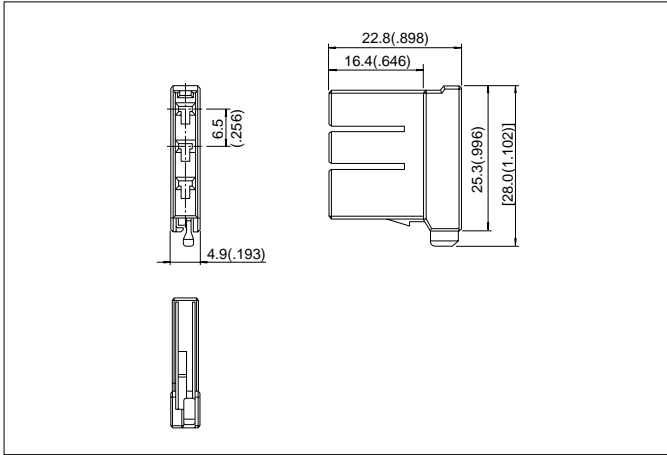
Material and Finish

Tab contact: Copper alloy, nickel-undercoated, selective gold-plated, selective tin/lead-plated
Housing: Glass-filled PBT, UL94V-0, black
Reinforcing metal fixture: Copper alloy, copper-undercoated, tin/lead-plated

Note: Not CSA/TÜV approved.

JFA CONNECTOR/J360T

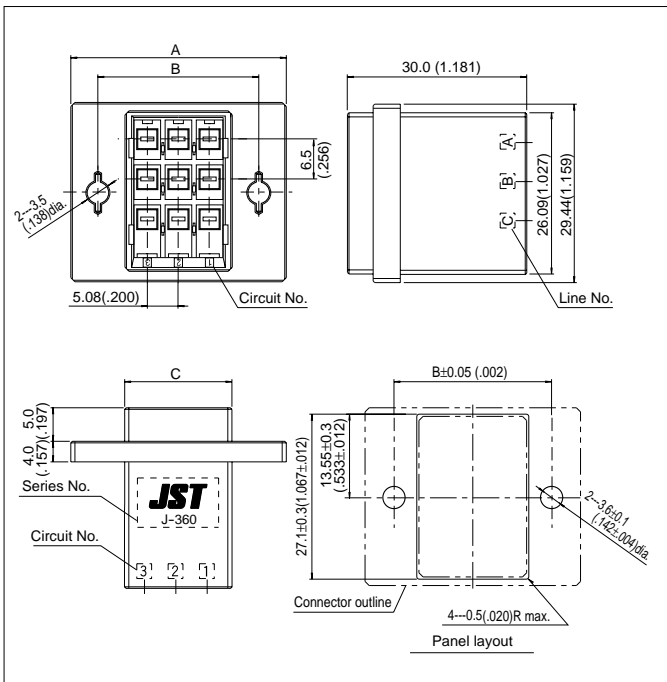
Receptacle housing



Circuits	Keying	Model No.	Q'ty / bag
3	—	F36FTC-03V-K	—
Material			
Glass-filled PBT, UL94V-0, black			

Note: Not UL/CSA/TÜV approved.

Tab housing

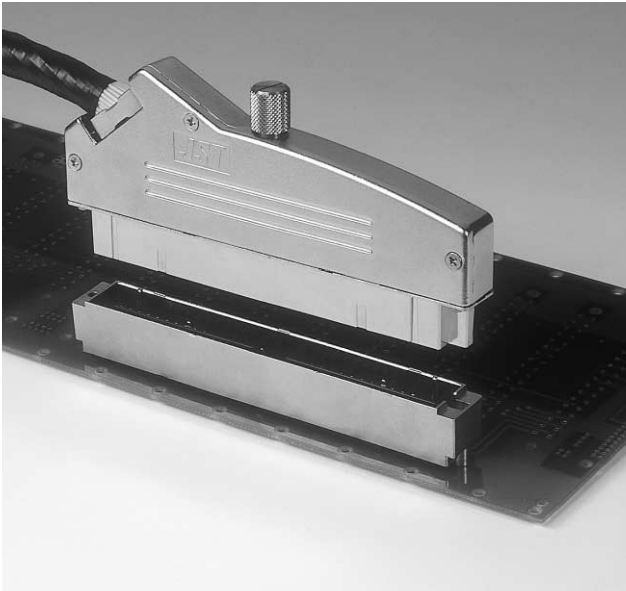


Circuits	Keying	Model No.	Dimensions mm(in.)			Q'ty / box
			A	B	C	
9	—	P09B-F36TK-GGR	35.0(1.378)	26.1(1.028)	17.8(.701)	—
18	—	P18B-F36TK-GGR	50.2(1.976)	41.3(1.626)	33.1(1.303)	—

Material and Finish						
Tab contact: Copper alloy, nickel-undercoated, selective gold-plated						
Housing: Glass-filled PBT, UL94V-0, black						

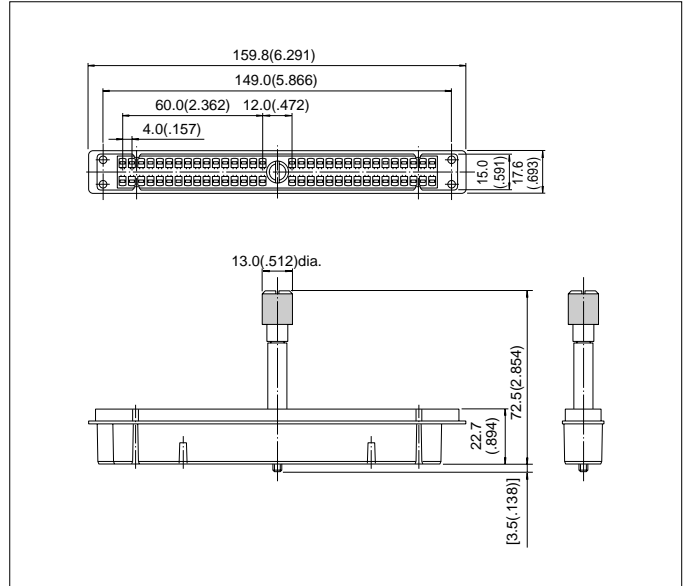
Note: Not UL/CSA/TÜV approved.

JFA CONNECTOR/J390A



J390A(I / O Metal Connector)

Plug Housing Assembly



Model No.

64P-JFAJ390A

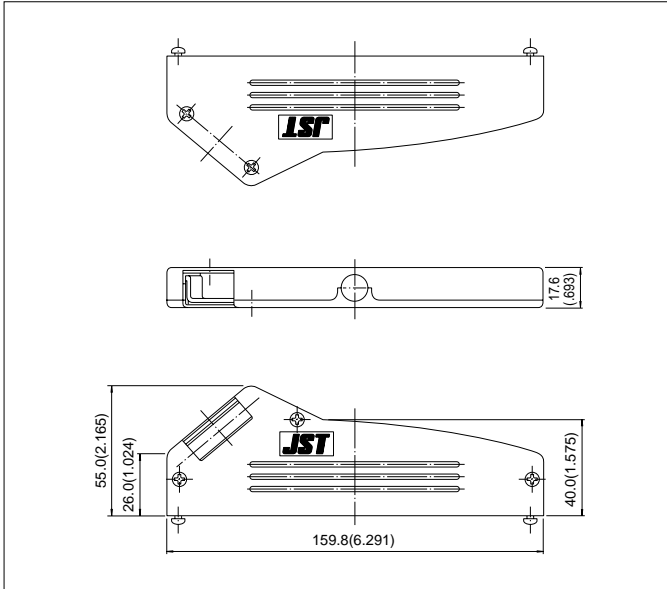
Material and Finish

Plug housing: PBT, UL94V-0, black
 Center screw assembly: SUS
 Cover C: Zinc alloy, nickel-plated

Note: 1. Refer page 166 about Receptacle contact.
 2. Not UL/CSA/TÜV approved.

JFA CONNECTOR/J390A

Cover Kit



Model No.

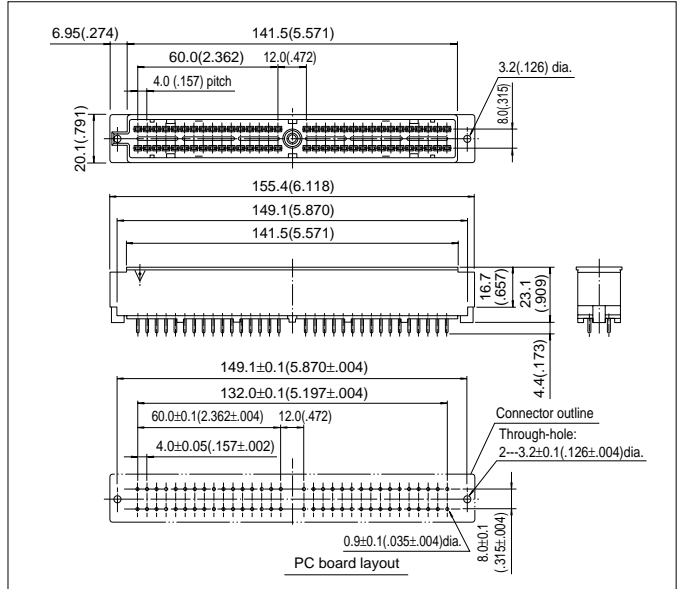
JFAJ390A-CK

Material and Finish

Cover A: Zinc alloy, nickel-plated
 Cover B: Zinc alloy, nickel-plated
 Cable cramp: SPC
 Cross-recessed flat head screws(M3x14): SUS, Market Product(prepared by customer)
 Cross-recessed pan head screws(M3x10): SUS, Market Product(prepared by customer)

Note: Not UL/CSA/TÜV approved.

Cap Housing Assembly



Model No.

B64R-JFAJ390A

Material and Finish

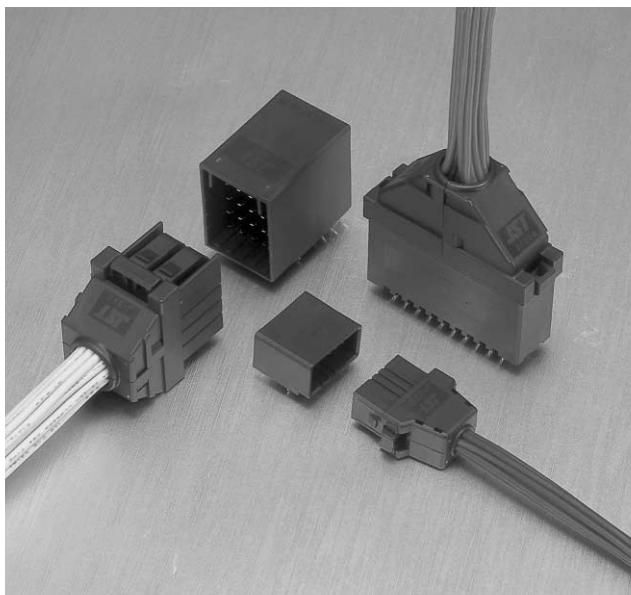
Tab contact: Copper-alloy
 Housing base: PBT, UL94V-0, black
 Cap housing: Zinc alloy, nickel-plated
 Inserted nut: SUS

Note: Not UL/CSA/TÜV approved.

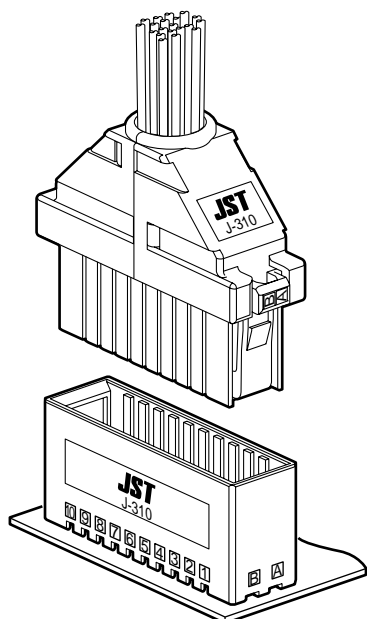
Applicator for the semi-automatic press AP-K2N

Contact	Crimp applicator MKS-L		Compact crimp applicator MKS-LS		Strip-crimp applicator MKS-SC
	with safety cover	without safety cover	with safety cover	without safety cover	with safety cover
SF3F-002GF-P2.0	APLMK SF3F002-20	APLNC SF3F002-20	-	-	-
SF3F-01GF-P2.0	APLMK SF3F/M01-20	APLNC SF3F/M01-20	-	-	-
SF3M-01GF-M2.0N	APLMK SF3F/M01-20	APLNC SF3F/M01-20	-	-	-
SF3F-41GF-P2.0	APLMK SF3F/M41-20	APLNC SF3F/M41-20	-	-	-
SF3M-41GF-M2.0N	APLMK SF3F/M41-20	APLNC SF3F/M41-20	-	-	-
SF3F-71GF-P2.0	APLMK SF3F/M71-20	APLNC SF3F/M71-20	-	-	-
SF3M-71GF-M2.0N	APLMK SF3F/M71-20	APLNC SF3F/M71-20	-	-	-

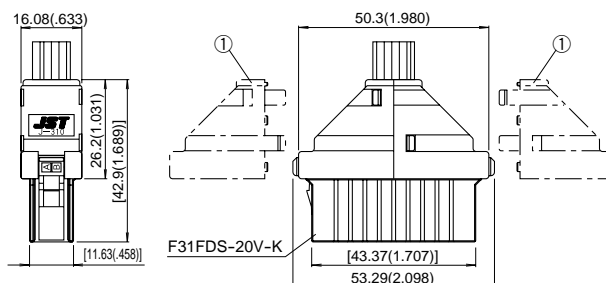
JFA CONNECTOR/J300 SERIES Protector



When applying current to connector, this protector prevents insertion of foreign matter to contacting part from wire side. But it does not have function of wire retention.

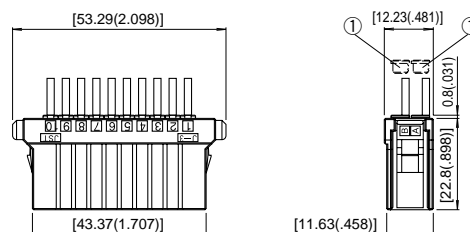


●J310D series/ for 20 circuits Model No. ① F31PFD-20(*)

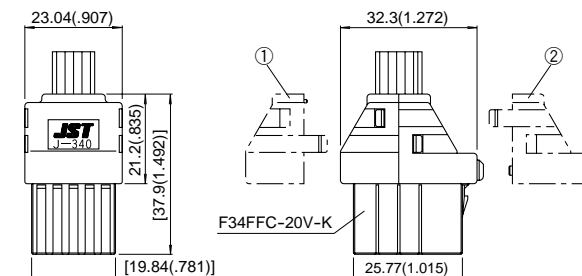


●J310D series/ Embedding-type protector for 8, 10 circuits Model No. ① F31PFS-10KU*

◎ This protector is cut and used for each number of circuits.



●J340F series/for 20 circuits Model No. ① F34PFF-20(*)A*
② F34PFF-20(*)B*



(*)Stands for material. Contact JST for details.

Note: The products listed above are not UL/CSA/TÜV approved.