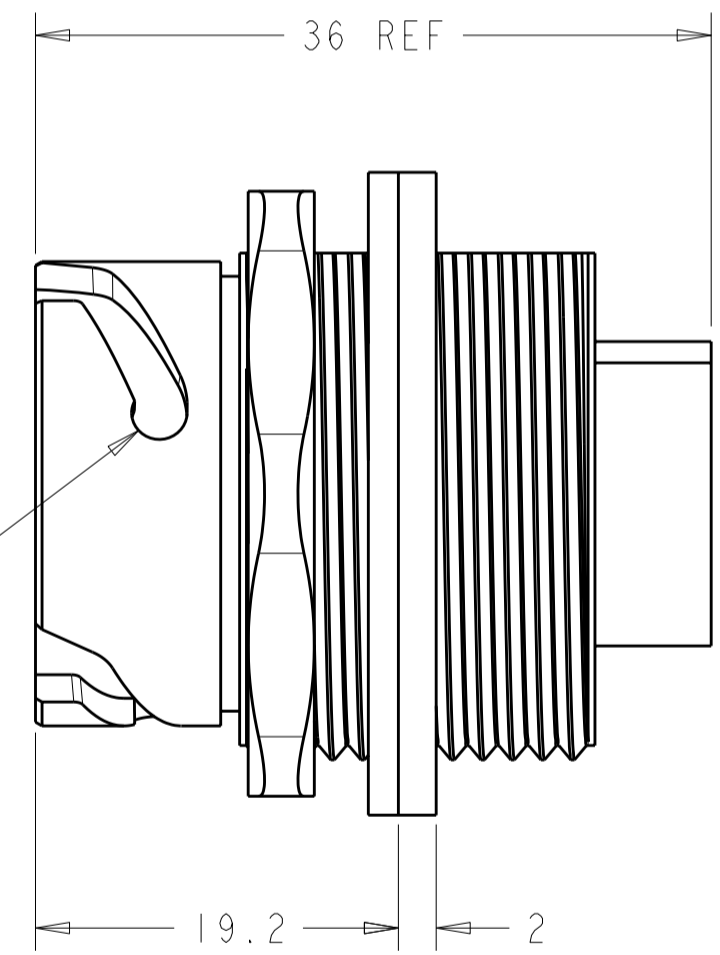
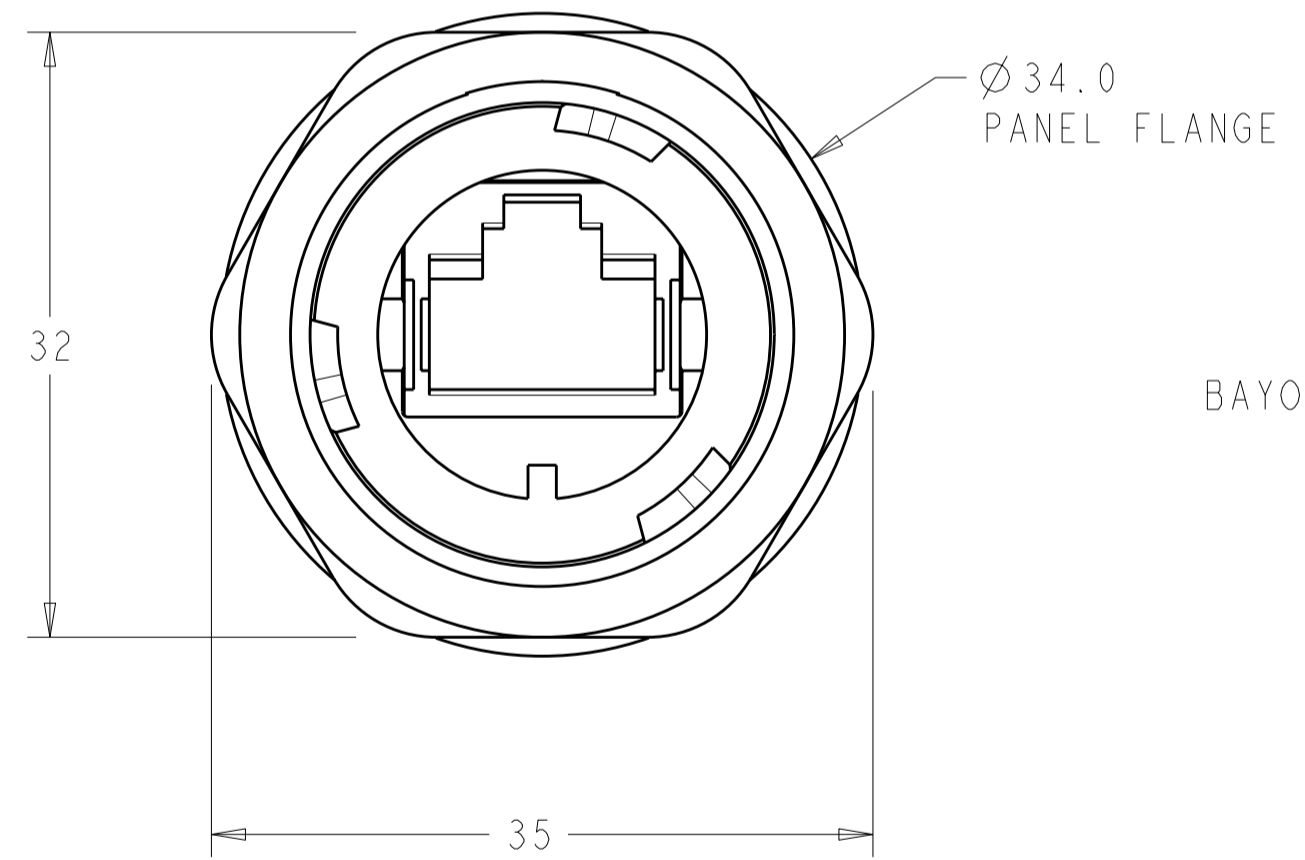
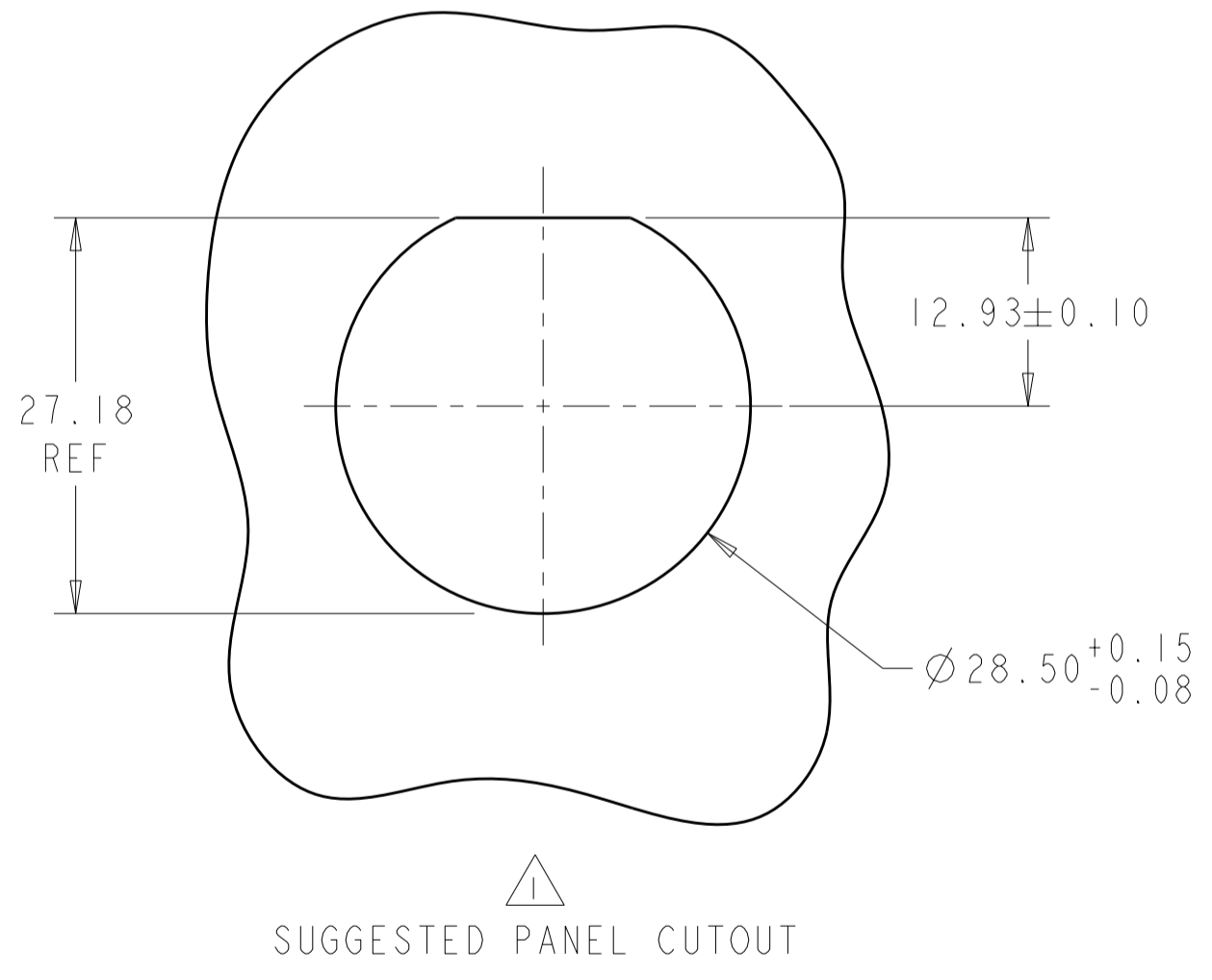
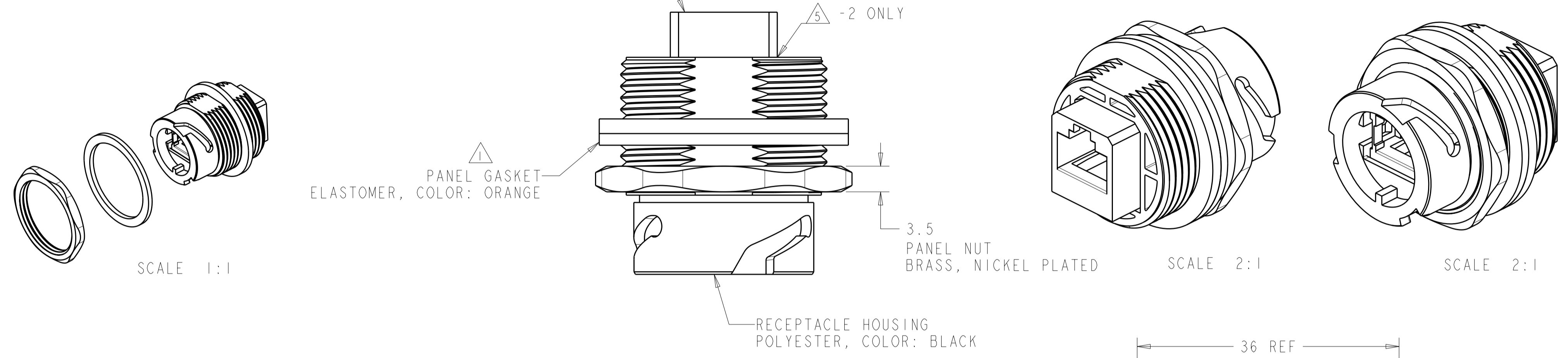


THIS DRAWING IS UNPUBLISHED. RELEASED FOR PUBLICATION 20
 © COPYRIGHT 20 BY TYCO ELECTRONICS CORPORATION. ALL RIGHTS RESERVED.

LOC		DIST		REVISIONS			
P	LTR	DESCRIPTION	DATE	DWN	APVD		
	C	REV PER ECO-10-011440	07JUN2010	RG	SM		

COUPLER, RJ-45
 CATEGORY: SEE TABLE, 8 POSITION
 HOUSING: THERMOPLASTIC
 CONTACTS: PHOSPHOR BRONZE, GOLD OVER NICKEL



CATEGORY	COUPLER BONDED	PART NUMBER
CAT 6e	NO	1738601-3
CAT 5e	△	1738601-2
CAT 5e	NO	1738601-1

- △ CONNECTOR MAY BE FRONT OR REAR MOUNTED TO A MAXIMUM PANEL THICKNESS OF 3.2 mm.
- 2. COUPLER LINES CROSSOVER BETWEEN PORTS.
- 3. THIS PRODUCT HAS NOT COMPLETED VALIDATION TESTING.
- 4. PANEL NUT AND PANEL GASKET ARE PACKAGED UNASSEMBLED IN POLYBAG.
- △ COUPLER BONDED TO HOUSING BY ADHESIVE ALONG EDGE WHERE COUPLER MEETS HOUSING, SEE TABLE.

<small>THIS DRAWING IS A CONTROLLED DOCUMENT FOR TYCO ELECTRONICS CORPORATION. IT IS SUBJECT TO CHANGE AND THE CONTROLLING ENGINEERING ORGANIZATION SHOULD BE CONTACTED FOR THE LATEST REVISION.</small>		DWN R.L. KOLLER 25MAR04 CHK J. LANDIS 26MAR04 APVD S. HEADER 17JUN	tyco Tyco Electronics Harrisburg, PA 17105-3608
DIMENSIONS: mm 	TOLERANCES UNLESS OTHERWISE SPECIFIED: 0 PLC ±0.3 1 PLC ±0.2 2 PLC ±0.10 3 PLC ± 4 PLC ± ANGLES ±° FINISH	PRODUCT SPEC 108-2198 APPLICATION SPEC 114-13136 WEIGHT -	NAME RECEPTACLE KIT, INDUSTRIAL CIRCULAR ETHERNET CONNECTOR SIZE A2 CAGE CODE 00779 DRAWING NO. 1738601 RESTRICTED TO -
MATERIAL -		CUSTOMER DRAWING	SCALE 5:2 SHEET 1 OF 1 REV C