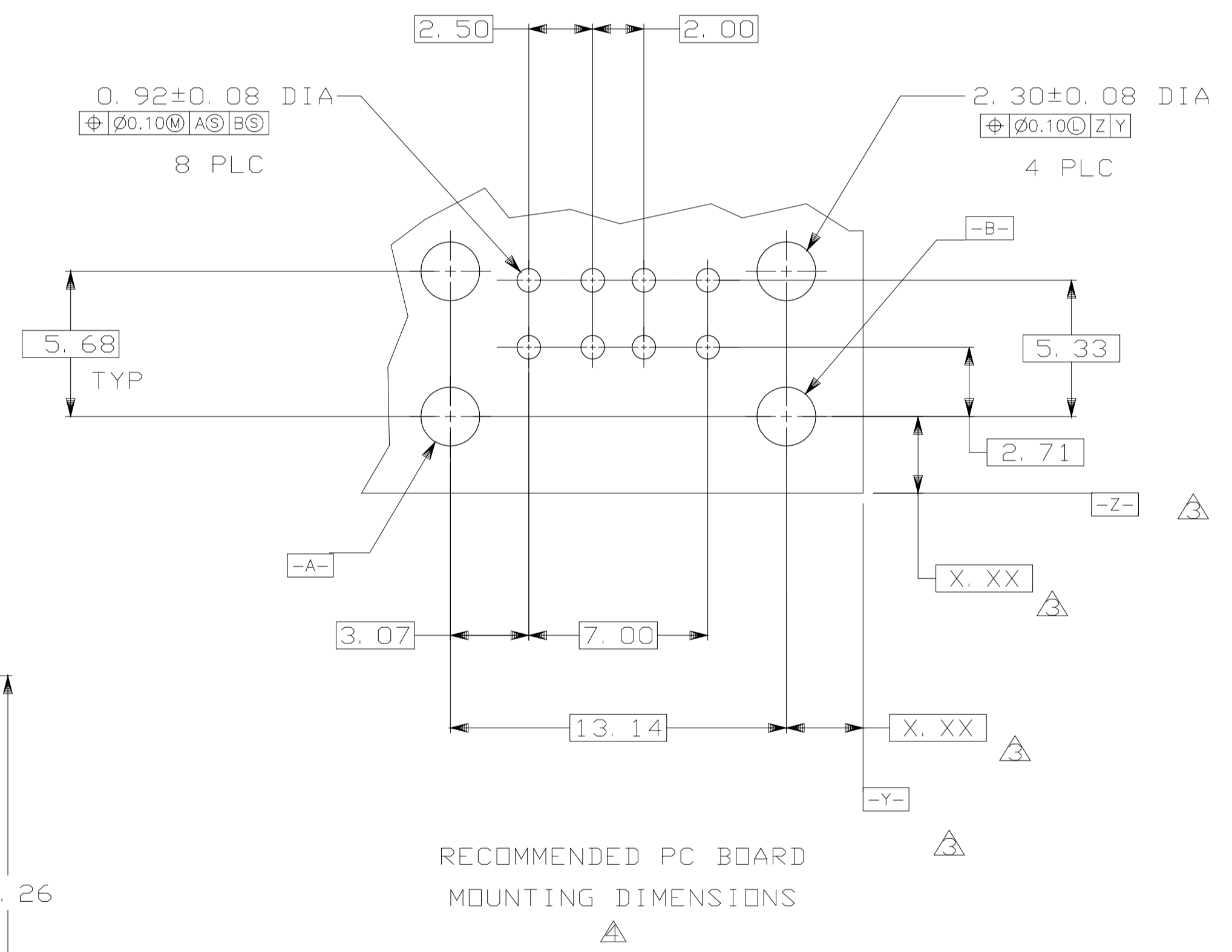
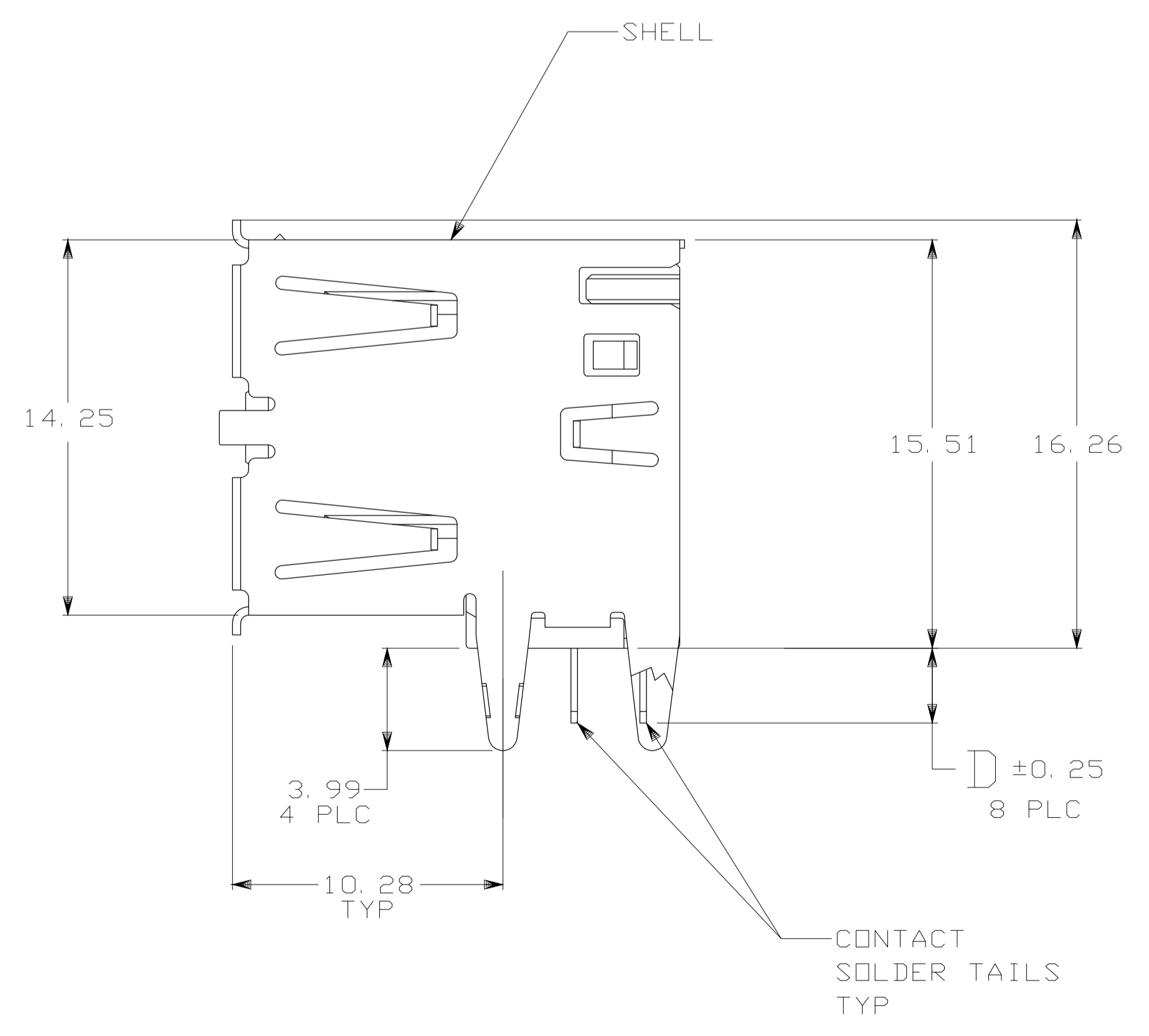
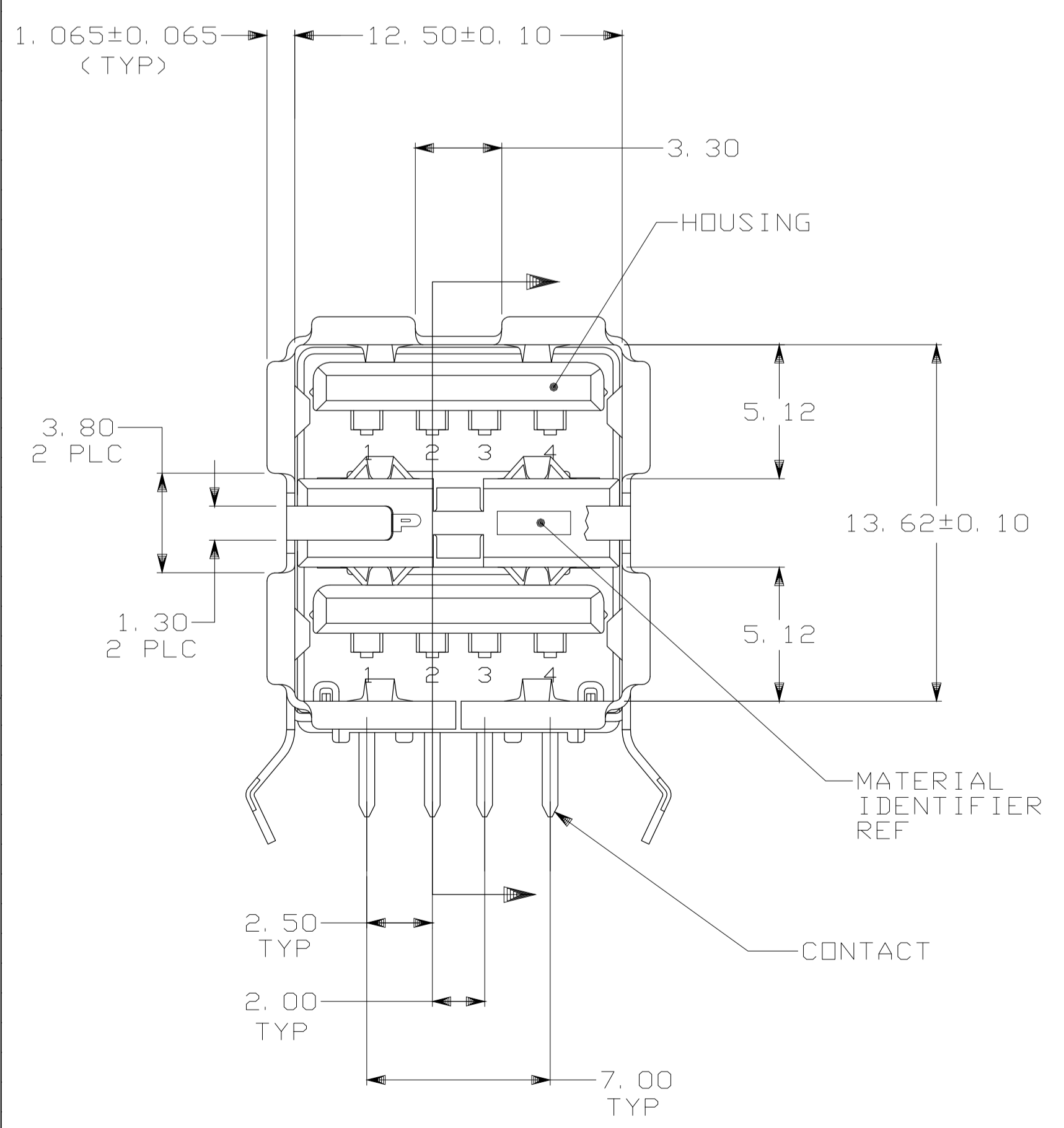


- ⚠ MATERIAL:  
SHELL & CONTACTS- COPPER ALLOY.  
HOUSING- UL 94V-0 RATED, THERMOPLASTIC, SEE TABLE.
- ⚠ PLATING:  
CONTACTS- 0.076 MICROMETERS MINIMUM GOLD OVER 0.76 MICROMETERS MINIMUM PALLADIUM-NICKEL ON MATING AREA. OR CONTACT ALTRENATE PLATING 0.76 MICROMETERS MINIMUM GOLD ON MATING AREA.  
3.80 MICROMETERS MINIMUM TIN ON SOLDER TAILS.  
BOTH OVER 1.27 MICROMETERS MINIMUM NICKEL.  
SHELL: 2~5µm THICK TIN
- ⚠ DATUM AND BASIC DIMENSIONS ESTABLISHED BY CUSTOMER.
- ⚠ RECOMMENDED PC BOARD THICKNESS OF 1.57.

LEAD FREE



YES	2.29±0.25	BLACK	5787745-5
YES	2.84±0.25	BLACK	5787745-4
NO	2.84±0.25	NATURAL	5787745-3
NO	2.29±0.25	BLACK	5787745-2
NO	2.84±0.25	BLACK	5787745-1
HIGH TEMPERATURE COMPATIBLE	D	HOUSING COLOR	PART NUMBER

THIS DRAWING IS A CONTROLLED DOCUMENT.		DIN: LEO ZHOU 26OCT2004	TE Connectivity
DIMENSIONS: mm		CHK: STEVEN YAO 26OCT2004	
TOLERANCES UNLESS OTHERWISE SPECIFIED:		APVD: ILENOMOTO 26OCT2004	NAME: RECEPTACLE ASSEMBLY, RIGHT ANGLE, STACKED, THRU-HOLE, USE
0 PLC ± -	1 PLC ± -	2 PLC ± -	APPLICATION SPEC
3 PLC ± -	4 PLC ± -	ANGLES ± -	SIZE: A1
MATERIAL: -	FINISH: -	WEIGHT: -	CAGE CODE: 00779
CUSTOMER DRAWING		SCALE: 1:1	SHEET: 1 OF 1