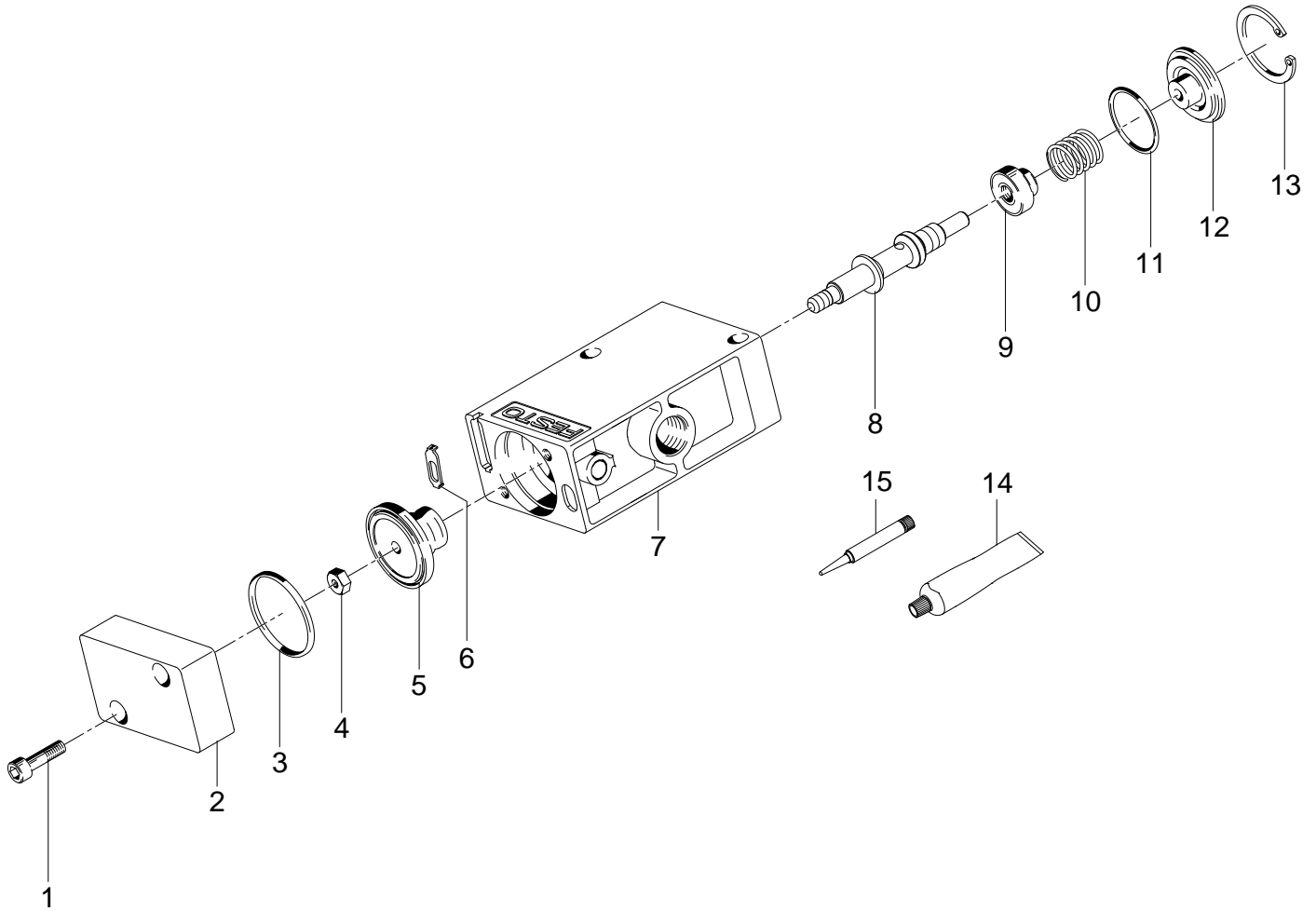


7803 VL/O-3-1/8-B Pneumatic valve - Series: All



## 7803 VL/O-3-1/8-B Pneumatic valve - Series: All

Pos.	Part no.	Type	Note	Qty.	Unit
A	104206	MFH-VL/O-3-1/8 B Set of wearing parts	Spare parts: 3, 5, 6, 9, 11, 14 Attention, please order position 15 as well	1	PC
1	744819	ISO 14579-M4X16-8.8 Socket head screw	Tightening torque 1.2 Nm / 0.9 lbf ft	2	PC
2	227363	VL -5-1/8 Cover		1	PC
3		22X1,3-N-NBR60 O-ring	Not available separately, see position A Grease using during assembly. See position 14	1	PC
4	200715	DIN 934-M4-6AU Hex nut	Tightening torque 0.6 Nm / 0.4 lbf ft Use locking compound. See position 15	1	PC
5		JH-5-1/8 Piston	Not available separately, see position A Grease using during assembly. See position 14	1	PC
6		MFH-3-1/8 Seal	Not available separately, see position A Grease using during assembly. See position 14	1	PC
7		MFH-3-1/8 Housing	Not available	1	PC
8	218071	MFH-3-1/8 Shaft		1	PC
9		MFH-5-1/8 Sealing disc	Not available separately, see position A Use locking compound. See position 15	1	PC
10	216966	MFH-3-1/8 Compression spring		1	PC
11		B-18X1,5-N-NBR70 O-ring ISO3601	Not available separately, see position A Grease using during assembly. See position 14	1	PC
12	335658	MFH-3-1/8 Covering		1	PC
13	750904	F-22X1 Retaining ring		1	PC
14	397446	LUB-KB2-SILIKONFREI-20ML Lubricating grease		1	PC
15	8181256	CYBERBOND TM44 TB1ML Adhesive bonding agent	Not included in wearing-parts kit	1	PC