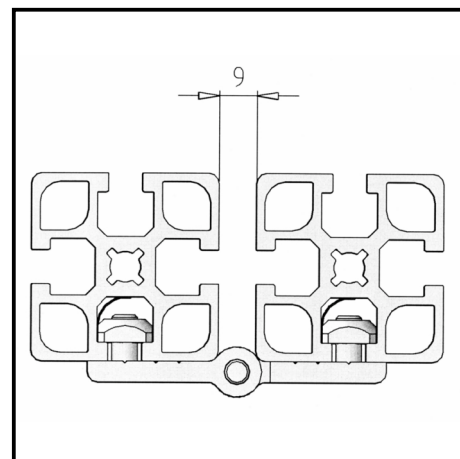
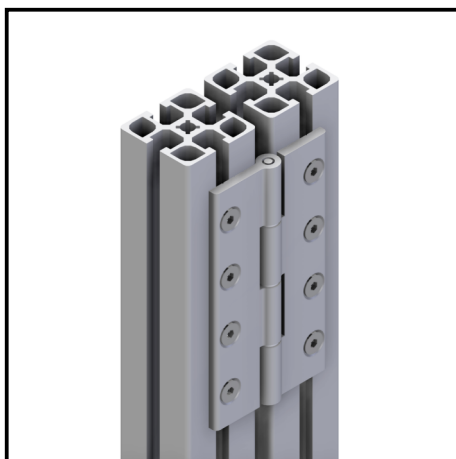
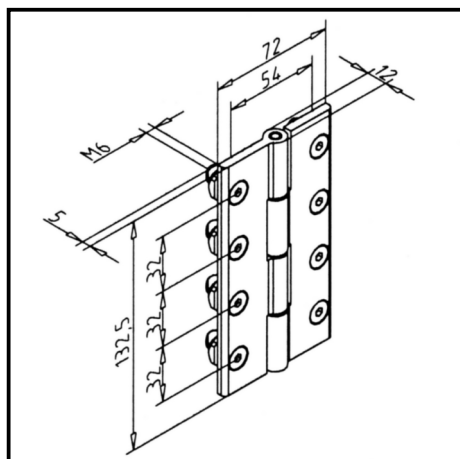


DOOR HINGE LARGE

Article Nr. 21.0970/0

[See the product on the website](#) →

[Download CAD Files](#) →



TECHN. DATA / ITEMS SUPPLIED

- Aluminium, anodized E6/EV1
- With stainless steel shaft
- With fastening material steel, zinc plated
- Weight = 0.235 kg/piece

APPLICATIONS

- Suitable for large doors and lids
- Guard units
- Connection of profiles at various angles

ASSEMBLY

- Screw tight to the profile groove with supplied hardware