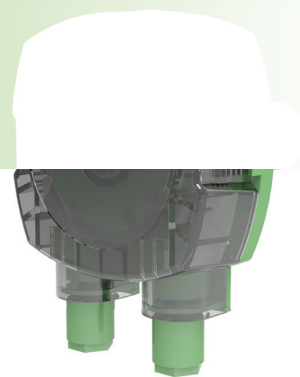


Verderflex

M60



VERDERFLEX®

Description

The M60 is a compact panel mounted peristaltic pump. It uses a snap-on tube cartridge to eliminate tools, simplifying and speeding up tube changeovers. Easy to integrate in equipment, it has many uses including analyser feeds, chemical dosing systems, condensate removal pumps, fixed volume flushing systems, metering sample volumes and vending machine dispensing systems.

Your benefits

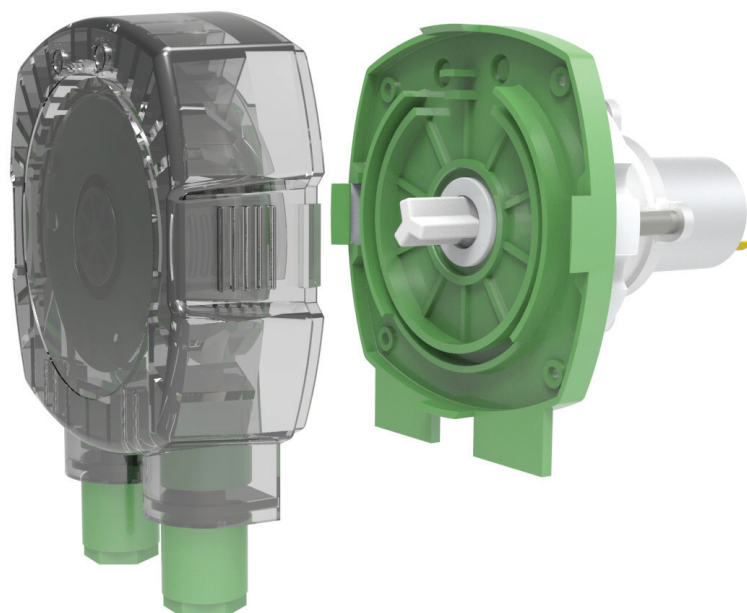
- Compact peristaltic pump
- Fast tool free snap-on cartridge
- 2 Roller rotor

Technical data

Feature	Description
Maximum flow	375 ml/min
Maximum pressure	1 bar (Verderprene only)
Body Materials	Polycarbonate; nylon
Motor	24V DC brushed (non continuous running rated)
Rotor Materials	PBT & SS
Tube	Verderprene; silicone
Weight (typical)	320 g

Flow in ml/min with 2 roller rotor

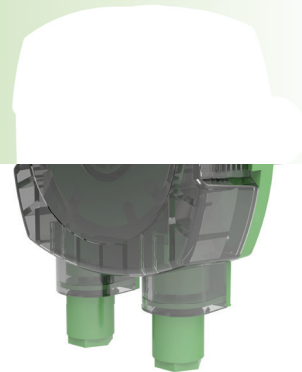
Working rpm (nominal)	95	150	192	
Tube size	1.6 bore	26	44	61
	3.2 bore	97	169	221
	4.0 bore	134	232	313
	4.8 bore	159	306	375



Verderflex

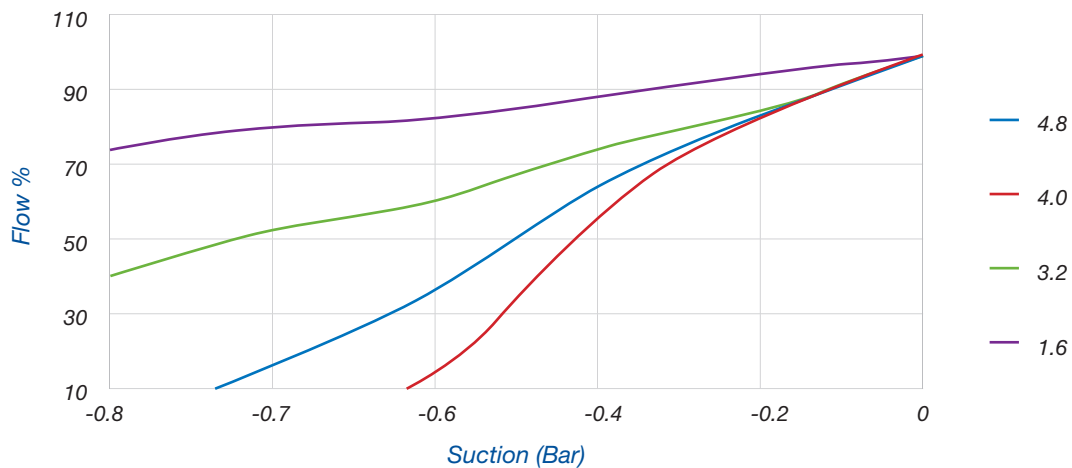
M60

VERDERFLEX®

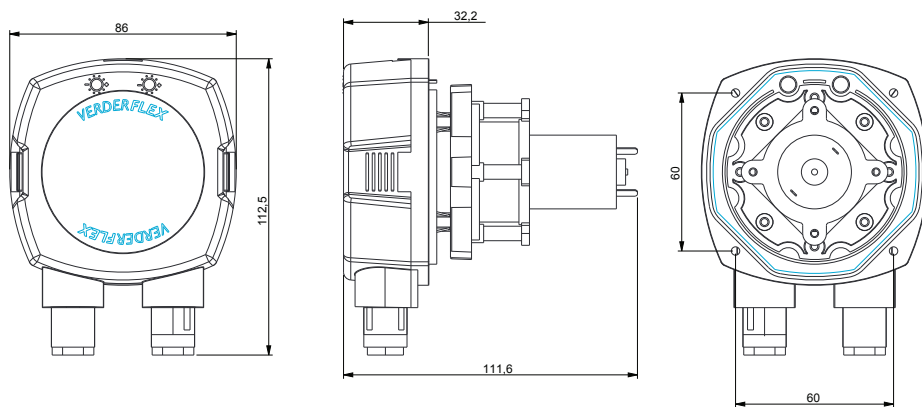


Flow Curves

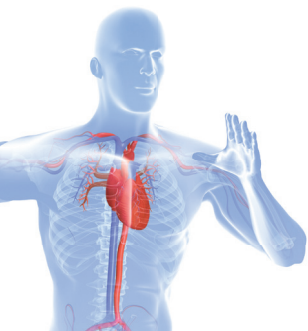
Suction test at 100 rpm



Dimensions



Options for Verderprene tube: 1.6mm wall thickness. Dimensions may vary depending on variant.



Find your local supplier at www.verderflex.com

For construction, installation and floor mounting drawings please contact your local authorised Verderflex® distributor.

VERDER
passion for pumps