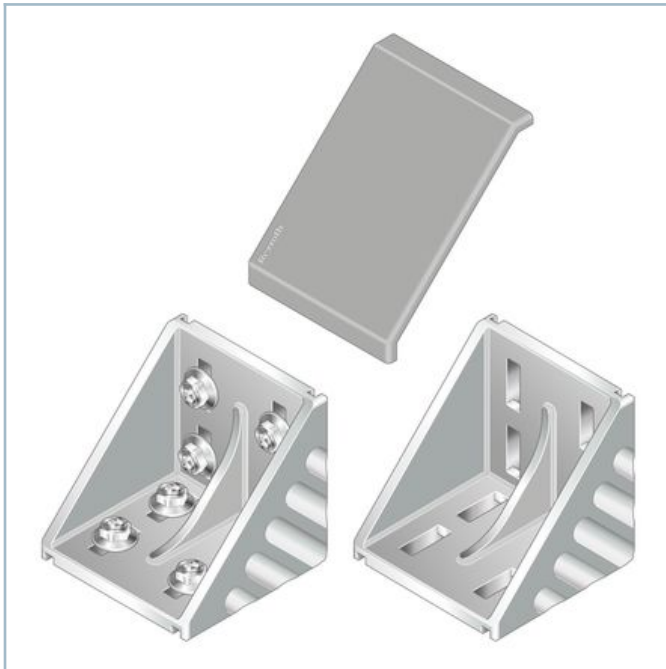
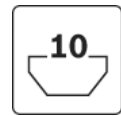
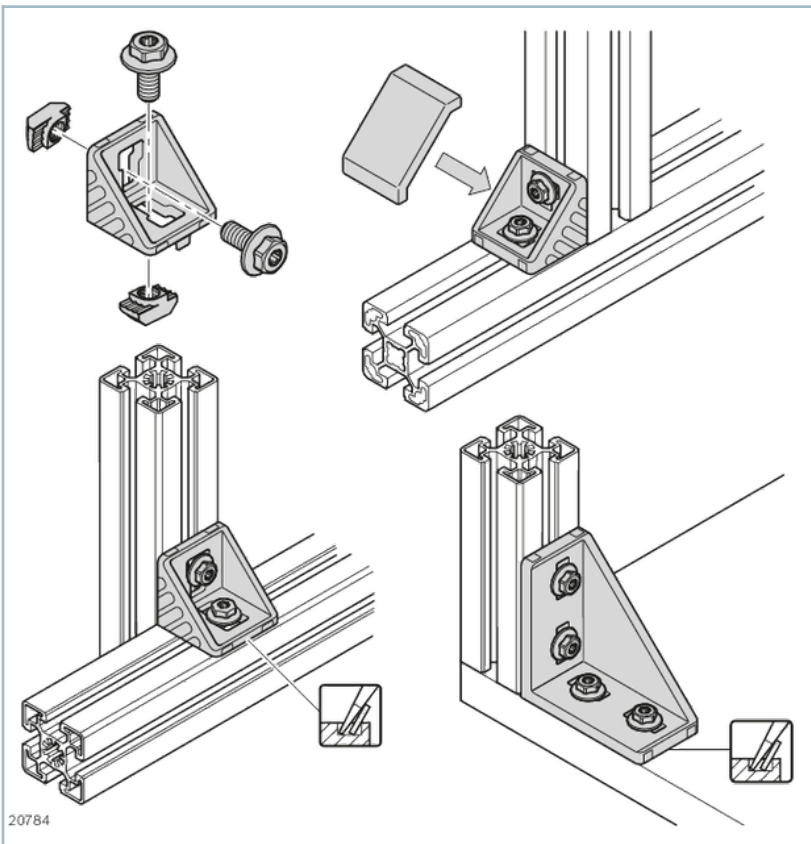
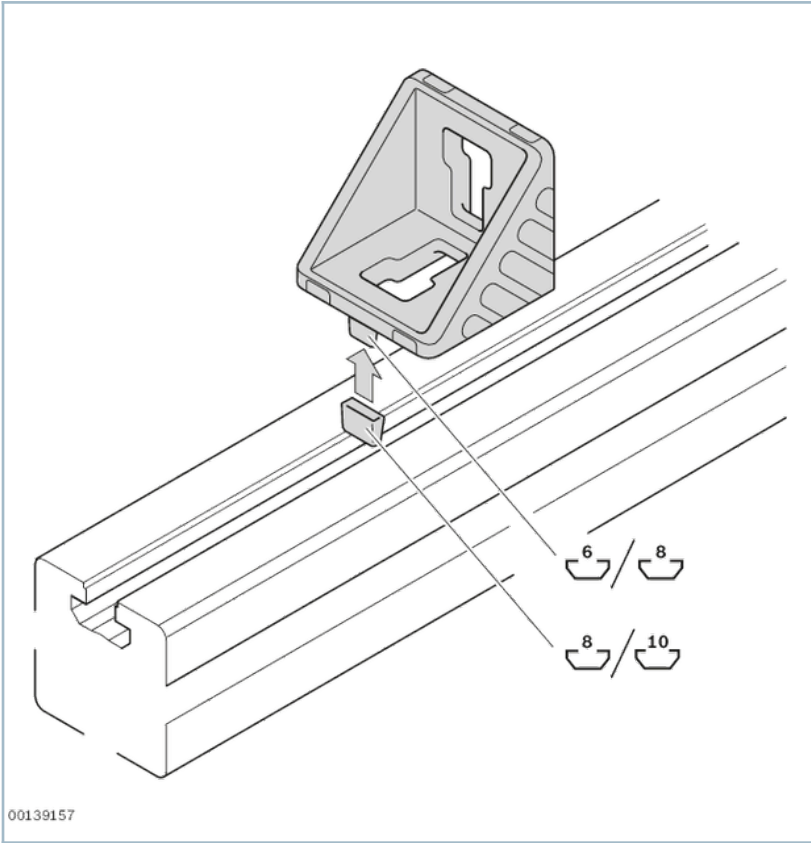


Bracket 100/100



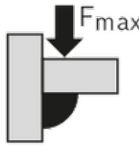
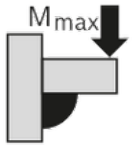
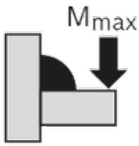
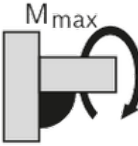



- Brackets with centering lugs for rapid, precise assembly with protection against turning
- Centering lugs can be easily broken off for assembly on plates or at right angles to the slot
- Cover cap to protect from dirt, available in signal gray (RAL 7004) and black ESD (RAL 9005)
- Profile finishing: not required

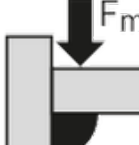

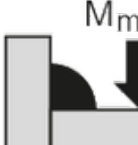

Product description



Connection elements, selection criteria

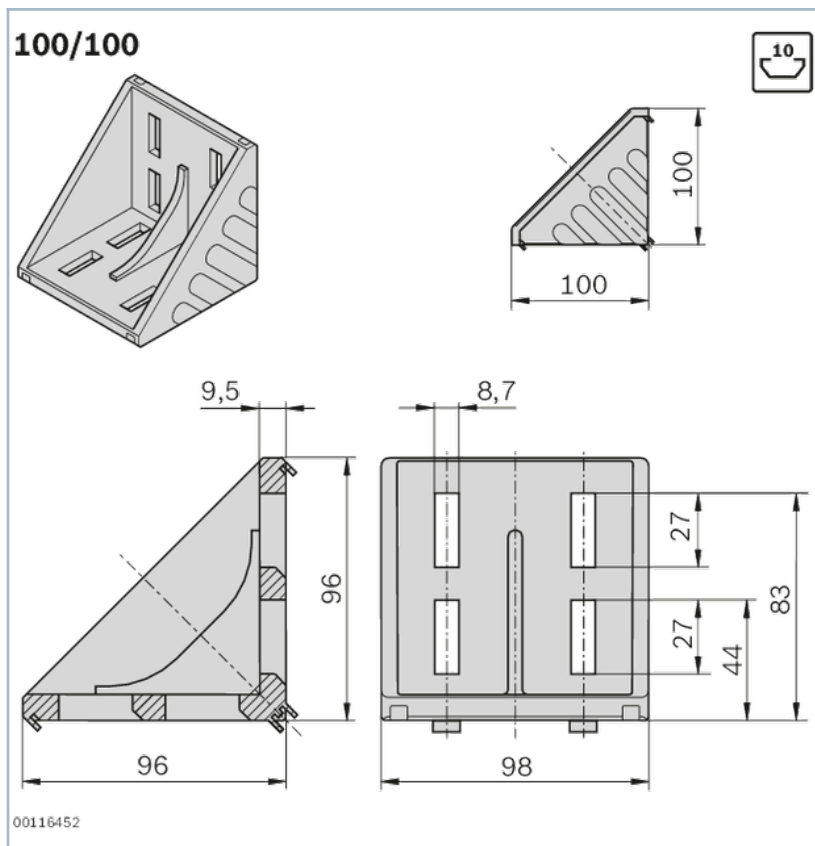
Technical data

	Groove	ES D	Material entry				
				F_{max}	M_{max}	M_{max}	M_{max}
				N	Nm	Nm	Nm
Bracket	10		Bracket: Diecast aluminum, vibratory ground	15000	550	1100	480
	10		Bracket: Diecast aluminum, vibratory ground	15000	550	1100	480
Cover cap for bracket			PP				
			PP				

Typ				
100 / 100	15000 N	550 Nm	1100 Nm	480 Nm

Dimensions

Bracket 100/100 with cover cap



Accessories

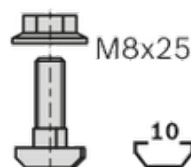
Recommended accessories

Cover cap for bracket 100/100, signal gray




Cover cap for bracket 100/100, black

Delivery notes

FS7



Ordering codes

	Groove	ESD	FS	No.
Bracket 100x100 set (standard) ¹⁾	10		8xFS7	3842530361
Bracket (standard) 100/100	10			3842530460
Cover cap for bracket 100/100, signal gray				3842548874
Cover cap for bracket 100/100, black				3842548875

1) Set incl. fastening material