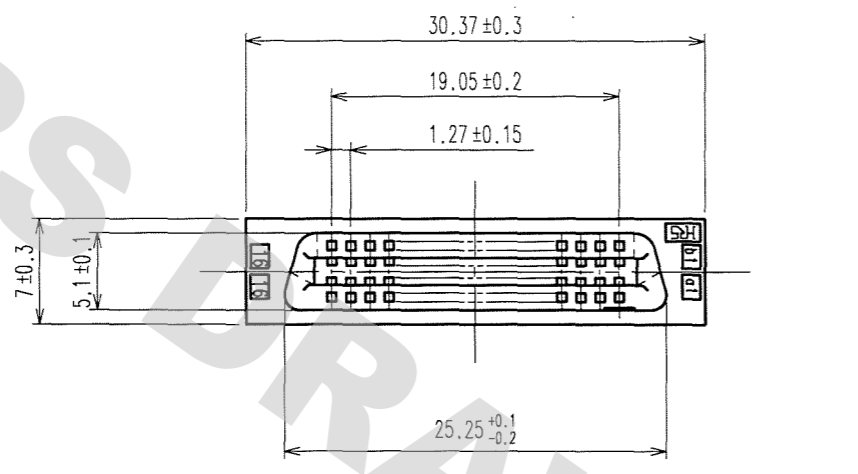
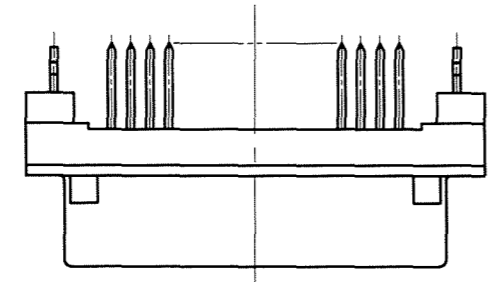
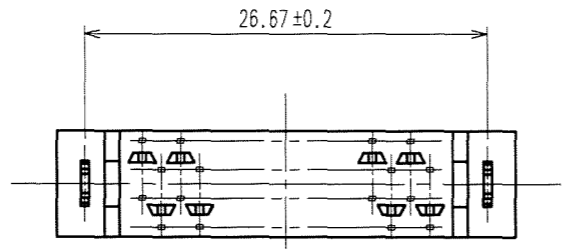
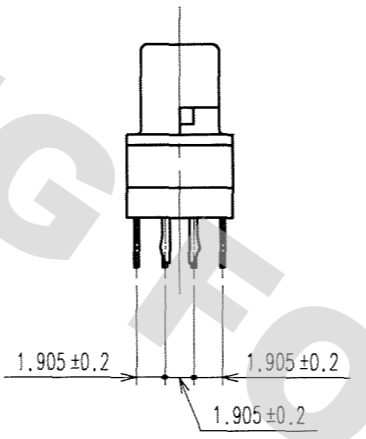
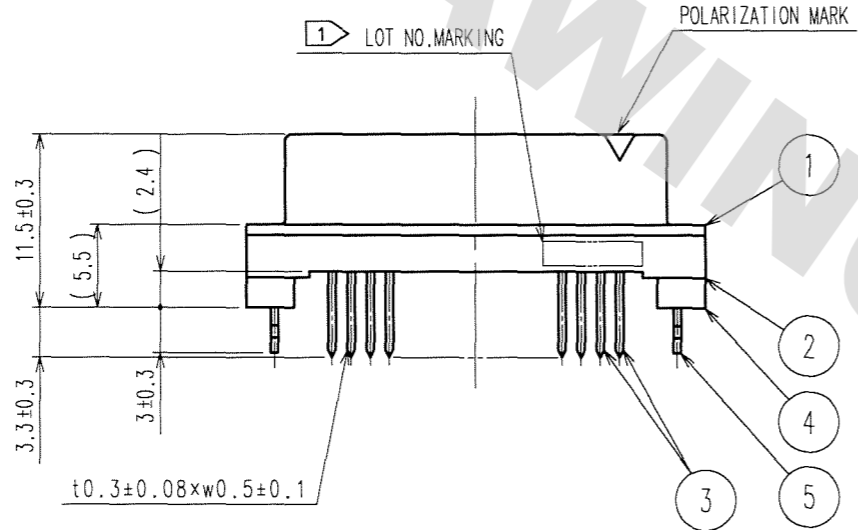
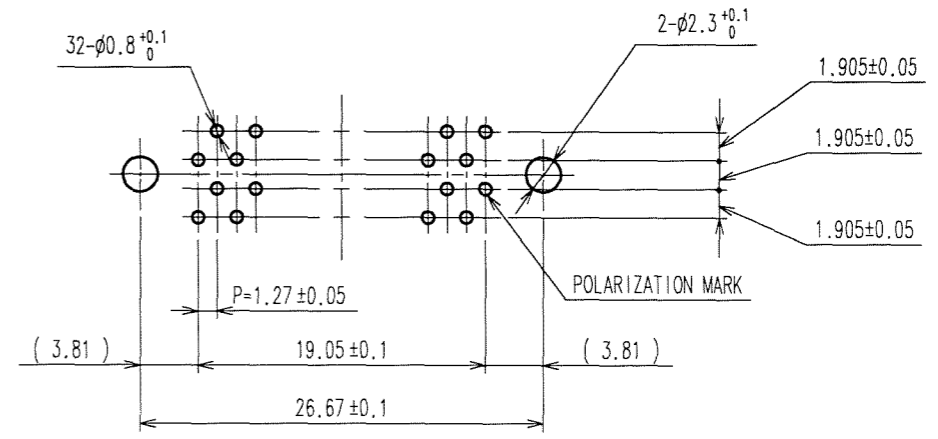


COUNT	DESCRIPTION OF REVISIONS	BY	CHKD	DATE	COUNT	DESCRIPTION OF REVISIONS	BY	CHKD	DATE
△				..	△				..
△				..	△				..
△				..	△				..



RECOMMENDED PC BOARD HOLE PATTERN  
(MOUNTING SIDE) t=1.6



NOTE 1 LOT NO. MARKING SIDE SHALL BE OPTIONAL.  
2 THE DIMENSIONS IN PARENTHESES ARE FOR REFERENCE.

5	PHOSPHOR BRONZE	TIN-PLATING	3	PHOSPHOR BRONZE	CONTACT AREA: GOLD 0.2μm min. DIP AREA: TIN-PLATING 2μm min. UNDER PLATING: NICKLE 2μm min.
1, 2, 4	POLYAMIDE	BLACK UL94V-0			
NO.	MATERIAL	FINISH, REMARKS	NO.	MATERIAL	FINISH, REMARKS

CODE NO. (OLD) CL	DRAWN A. SUZUKAWA '06.07.18	DESIGNED M. Nakamura 06-07-18	CHECKED H. Ozawa 06-07-18	APPROVED H. Okawa 06-07-19	RELEASED
----------------------	-----------------------------------	-------------------------------------	---------------------------------	----------------------------------	----------

SCALE 2 : 1	DRAWING NO. EDC3-083268-21	PART NO. FX2CA2-32S-1.27DSAL(71)
UNITS mm	HRS HIROSE ELECTRIC CO., LTD	CODE NO. CL572-2572-0-71

DRAWING FOR REFERENCE: This is subject to change without notice  
08/11/2012

TO