

4

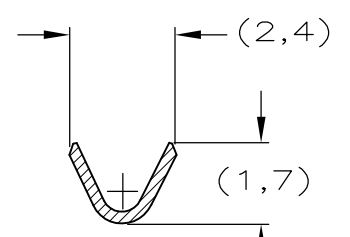
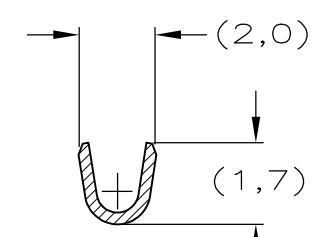
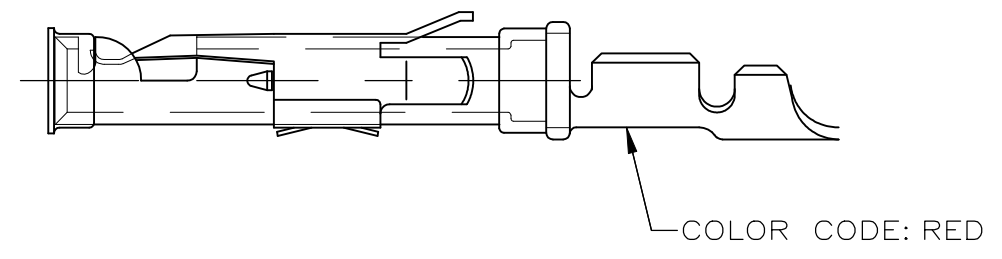
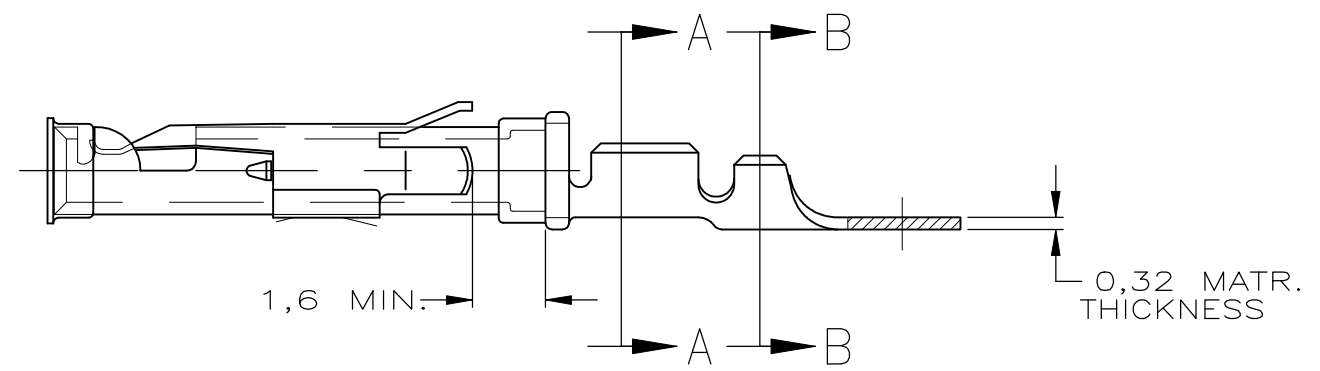
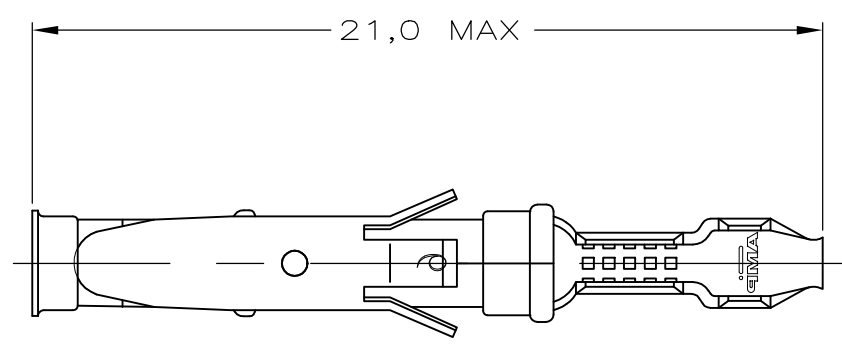
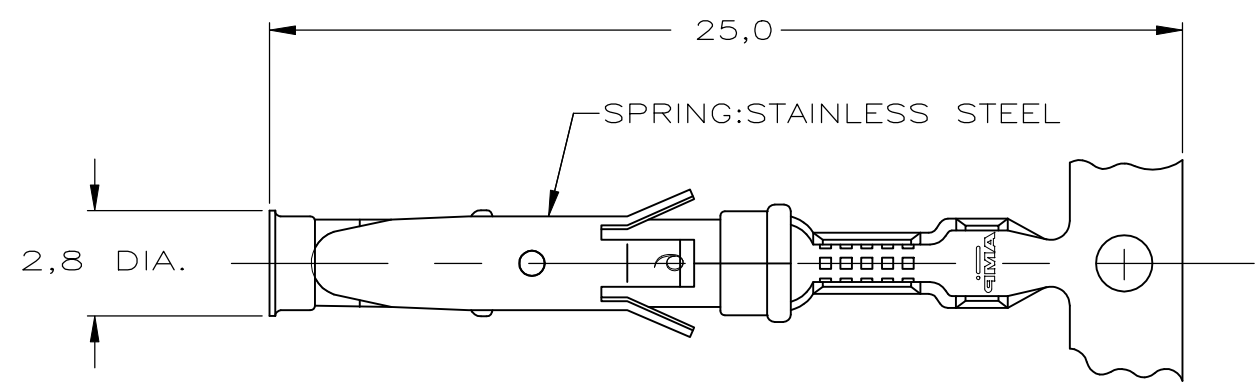
3

2

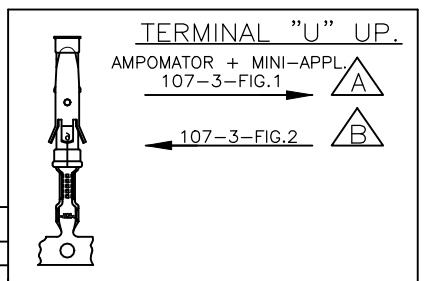
1

THIS DRAWING IS UNPUBLISHED. RELEASED FOR PUBLICATION
 © COPYRIGHT - By - ALL RIGHTS RESERVED.

REVISIONS				
P	LTR	DESCRIPTION	DATE	DWN APVD
	Y5	REVISED PER ECO-18-010674	06JUL2018	RS MZ



WIRE RANGE : 0,12-0,20 mm² (26-24 AWG)
 INSUL. RANGE : 0,9 -1,4 mm (.035-.055)



OBsolete	Part Number	Direction of Reel	Loose-Piece	Material	Plating
△	1-163091-3	A	1-163092-3	BRASS	EL.TIN
△	1-163091-2	A	1-163092-2	BRASS	BR.TIN
△	1-163091-1	A		BRASS	ECON.GOLD
△	1-163091-0	B	1-163092-0	BRASS	ECON.GOLD
△	163091-9	A		BRASS	EL.TIN
△	163091-8	A		BRASS	SEL.GOLD
△	163091-2	B	163092-2	BRASS	SEL.GOLD
△	163091-1	B	163092-1	BRASS	EL.TIN

- NOTES :
- 1 UL RECOGNIZED UNDER E28476 VOL VI SEC I
 - 2 FOR CRIMP DETAILS SEE SPEC. 114-19000
 - 3 MEETS PRODUCT SPECIFICATION 108-10042
 - 4 OBSOLETE PARTS: OBSOLETE CIS STREAMLINING PER D.RENAUD/D.SINISI
 - 5 OBSOLETE
 - 6 OMISSION OF 6 CONTACTS MAX PER REEL OF 5000PCS

NOTES	MATERIAL	THICKNESS	AREA
△20	TIN	2,0 μm	ALL OVER
△21	NICKEL GOLD TIN	0,8 μm	ALL OVER CONTACT AREA BARREL
△22	NICKEL GOLD GOLD	0,8 μm	ALL OVER CONTACT AREA ALL OVER
△23	NICKEL GOLD GOLD	1,2 μm	ALL OVER CONTACT AREA ALL OVER
△27	NICKEL SILVER TIN	2,5 μm	ALL OVER CONTACT AREA BARREL
△28	SILVER	0,5 μm	ALL OVER
△29	SILVER	2,5 μm	ALL OVER
△30	NICKEL TIN	1,27 μm	ALL OVER

THIS DRAWING IS A CONTROLLED DOCUMENT.

DIMENSIONS:	TOLERANCES UNLESS OTHERWISE SPECIFIED:
mm	0 PLC ± -
	1 PLC ± -
	2 PLC ± -
	3 PLC ± -
	4 PLC ± -
	ANGLES ± -
MATERIAL REFER TABLE	FINISH REFER TABLE

DWN	19.08.87
L.V.D.HEIJDEN	
CHK	20.08.87
P.V.D.HAGEN	
APVD	20.08.87
L.V.SOEST	
PRODUCT SPEC	
108-10042	
APPLICATION SPEC	
114-19000	
WEIGHT	
CUSTOMER DRAWING	

STE TE Connectivity Ltd.

NAME: TYPE III+, SIZE 16, SOCKET ASS'Y, 26-24 AWG, 0.9-1.4mm DIA INSULATION

SIZE	CAGE CODE	DRAWING NO	RESTRICTED TO
A3	00779	C-163091	-

SCALE: - SHEET: 1 of 1 REV: Y5