

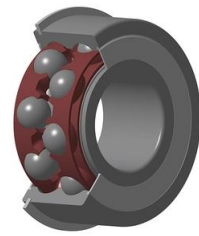


Brand of NTN corporation

Technical data

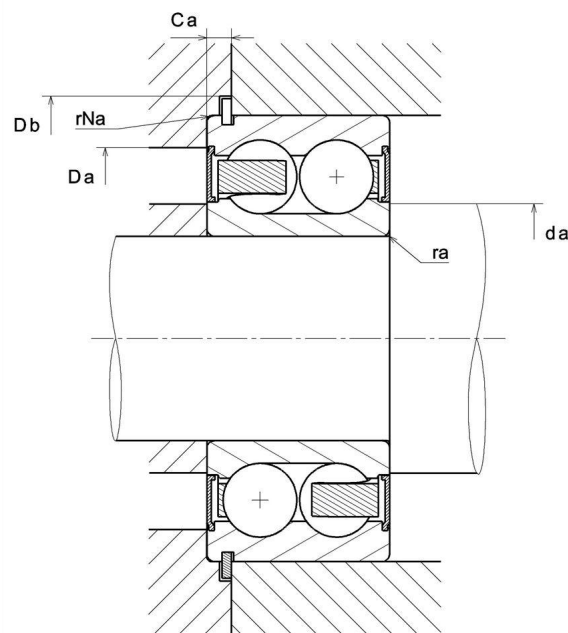
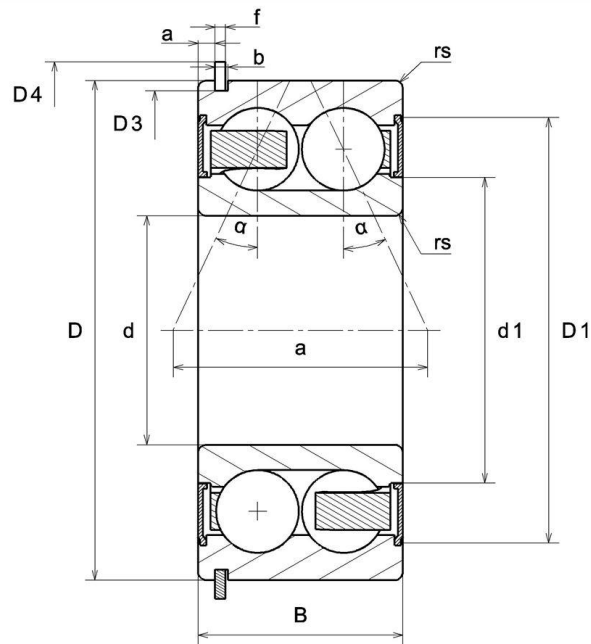
5204NRZZG15

Double row angular contact ball bearings



Double row angular contact ball bearing, polyamide cage, snap ring and groove on outer diameter, shield on both sides

VISUAL (S)



NTN Europe

1 rue des Usines · BP 2017 · 74010 Annecy Cedex · France · Tel. +33 (0)4 50 65 30 00
S.A. au capital de 322 639 919 € · RCS ANNECY B 325 821 072 · Id. Fiscale : FR 48 325 821 072
SIRET 325 821 072 00015 · Code APE 2815 Z · Code NACE 28.15

5204NRZZG15

Double row angular contact ball bearings

PRODUCT DEFINITION

Brand	SNR
d - Internal diameter	20 mm
D - External diameter	47 mm
B - Bearing/Inner ring width	20,6 mm
d1 - External diameter inner ring	28,8 mm
D1 - Inner diameter outer ring	41,9 mm
a - Charge load application point	24,2 mm
- Contact angle	25 °
a min - Min position Groove	2,31 mm
a max - Max position groove	2,46 mm
rs - Min fillet radius	1 mm
rNs - Min fillet radius	0,6 mm
D3 - Max bottom groove diameter	44,6 mm
b min - Min groove width	1,35 mm
b max - Max groove width	1,65 mm
r0 max - Max bottom groove radius	0,4 mm
D4 max - Max outer diameter of assembled stop ring	52,7 mm
f - Stop ring thickness	1,07 mm
Snap ring reference	R 47
Radial clearance class	CN
Precision class	P0
Mass	0,139 kg



NTN Europe

1 rue des Usines · BP 2017 · 74010 Annecy Cedex · France · Tel. +33 (0)4 50 65 30 00
S.A. au capital de 322 639 919 € · RCS ANNECY B 325 821 072 · Id. Fiscale : FR 48 325 821 072
SIRET 325 821 072 00015 · Code APE 2815 Z · Code NACE 28.15

5204NRZZG15

Double row angular contact ball bearings

PRODUCT PERFORMANCE

C - Dynamic load	19100000 mN
C0 - Static load	12500000 mN
Cu - Fatigue limit load	810000 mN
f0 - Coefficient	13.7
N ref - Reference thermal speed	72000 °/s
N lim - Mechanical Limit Speed	72000 °/s
Tmin - Min operating temperature	253,15 °K
Tmax - Max operating temperature	393,15 °K

BEARING FREQUENCIES

BPFO - Over rolling frequency on outer ring (60 rpm)	3.154 Hz
BPFI - Over rolling frequency on inner (60 rpm)	4.846 Hz
BSF - Over rolling frequency on rolling element (60 rpm)	4.091 Hz
BRF - Rotational frequency - rolling element (60 rpm)	2.046 Hz
FTF - Rotational frequency - cage (60 rpm)	0.394 Hz

ABUTMENT

da min - Min shoulder diameter IR	25 mm
da max - Max shoulder diameter IR	28,8 mm
Da max - Max shoulder diameter OR	42 mm
Ca min - Mini segment position	2,92 mm
Ca max - Max segment position	3,18 mm
ra max - Max shaft & housing fillet radius	1 mm
rNa max - Max fillet radius on segment side	0,6 mm
Db min - Min stop ring position diameter	53,4 mm



NTN Europe

1 rue des Usines · BP 2017 · 74010 Annecy Cedex · France · Tel. +33 (0)4 50 65 30 00
S.A. au capital de 322 639 919 € · RCS ANNECY B 325 821 072 · Id. Fiscale : FR 48 325 821 072
SIRET 325 821 072 00015 · Code APE 2815 Z · Code NACE 28.15