

## FEATURES

- 24 V dc Supply Voltage
- Sintered bronze bearings
- Spur gear head
- Five pole armature with VDR suppression

# RS PRO, 24 V dc, 20 Ncm DC Geared Motor, Output Speed 75 rpm

RS Stock No.: 258-8316



RS Professionally Approved Products bring to you professional quality parts across all product categories. Our product range has been tested by engineers and provides a comparable quality to the leading brands without paying a premium price.

## Product Description

From RS Pro, this DC geared motor is ideal for low speed applications that require high starting torque. The brushed motor ensure a low cost and simplified design, while offering versatility and reliability. A robust unit with a high quality five pole armature, this DC motor is fitted with an all metal gearhead with sintered iron gears running on hardened steel shafts. With a spur gearbox, the output shaft runs in sintered bronze bearings that facilitate high torque transfer from the motor through the gearbox. The gear motor features a durable construction, and is designed for most low voltage applications, providing a 75 rpm no-load speed.

## General Specifications

|                               |                                                                                                           |
|-------------------------------|-----------------------------------------------------------------------------------------------------------|
| <b>Output Speed (No Load)</b> | 75rpm                                                                                                     |
| <b>Gearhead Type</b>          | Spur                                                                                                      |
| <b>Gear Ratio</b>             | 50:1                                                                                                      |
| <b>Applications</b>           | Vending machines, Magnetic card readers, Printer mechanisms, Actuators, All types of coin control systems |

## Electrical Specifications

|                                 |        |
|---------------------------------|--------|
| <b>Supply Voltage</b>           | 24V dc |
| <b>Current Rating (No Load)</b> | 30mA   |
| <b>Maximum Output Torque</b>    | 20Ncm  |

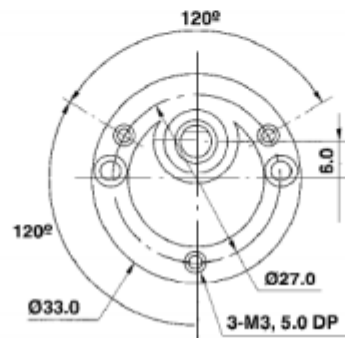
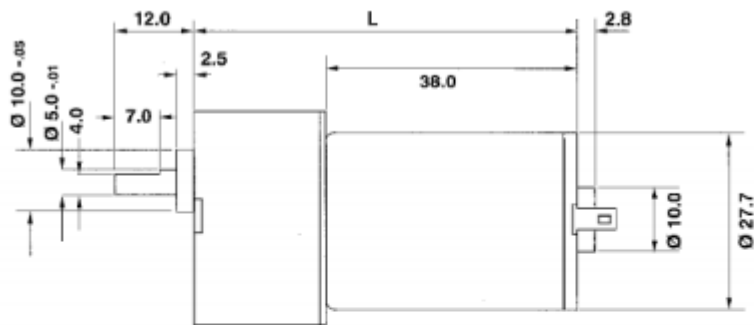
## Mechanical Specifications

|                          |                 |
|--------------------------|-----------------|
| <b>Shaft Diameter</b>    | 5mm             |
| <b>Core Construction</b> | Iron Core       |
| <b>Dimensions</b>        | 57.8mm x 27.7mm |
| <b>Length</b>            | 57.8mm          |
| <b>Width</b>             | 27.7mm          |
| <b>Weight</b>            | 140gms          |

| Gearbox Housing Material       | Metal  |
|--------------------------------|--------|
| Radial Load (10mm from flange) | 50N    |
| Shaft Axial Load               | 33N    |
| Radial Play of Shaft           | 0.08mm |
| Thrust Play of Shaft           | 0.50mm |

## Approvals

|                           |                                               |
|---------------------------|-----------------------------------------------|
| Compliance/Certifications | 2011/65/EU and 2015/863                       |
| Standards Met             | ANSI/ESD S20.20:2014 and BS EN 61340-5-1:2007 |



All dimensions in millimetres

