

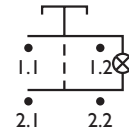
## RMASK Series | Illuminated double-pole switch 16A quick connection 4.8 black body black bellow

PRODUCT CODE: RMASK128C1G00000

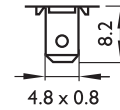


sample image

Wiring diagrams



Terminal type



Body colour



Actuator colour



Rating

16 (6) A / 250 VAC  
12 (10) A / 250 VAC  
8 (8) A / 250 VAC - 5E4  
T125 / 55 °C

16 A / 125 VAC  
16 A / 250 VAC  
1 / 2 HP - 125 VAC  
3 / 4 HP - 250 VAC  
T65 °C (T100 °C on demand)

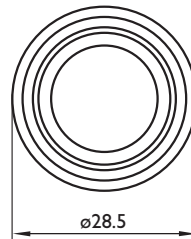
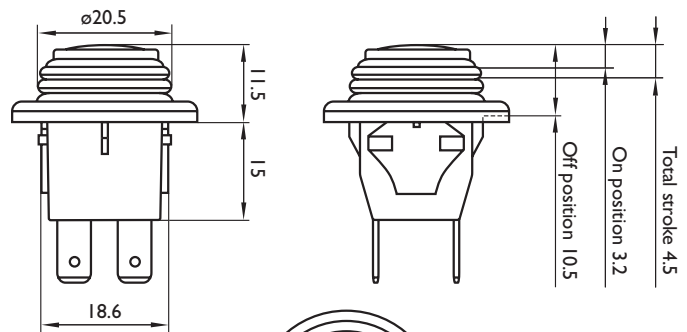
Approvals



C US



Dimensions (mm)



Cut out (mm)

