



22MM PLASTIC ROUND COMPLETE UNIT  
 COMBINATION: ILLUMINATED PUSHBUTTON  
 MOMENTARY CONTACT TYPE WITH FLAT BUTTON  
 ILLUMINATED WITH INTEGRATED LED 230V AC SCREW  
 TERMINAL,  
 1NO+1NC WITH HOLDER BLUE

**Front ring:**

<b>Product component / front ring</b>		Yes
<b>Material / of the front ring</b>		plastic

**Enclosure:**

<b>Shape / of the housing front</b>		round
<b>material / of the housing</b>		plastic

**General technical details:**

<b>Number of control points</b>		1
<b>Type of voltage</b>		AC
<ul style="list-style-type: none"> <li>• of the operating voltage</li> <li>• of the supply voltage</li> <li>• of the fluorescent material</li> </ul>		AC
<b>Operating voltage / rated value</b>		
<ul style="list-style-type: none"> <li>• minimum</li> <li>• maximum</li> </ul>	V	190 265
<b>Supply voltage / 1</b>		
<ul style="list-style-type: none"> <li>• of the fluorescent material</li> <li>• at 60 Hz / for AC / rated value</li> </ul>	V	230

• at 50 Hz / for AC / rated value	V	230
<b>Design of the electrical connection</b>		screw-type terminals
<b>Number of switching positions</b>		2
<b>Product component / fluorescent materials</b>		Yes
<b>Product extension / optional / fluorescent materials</b>		Yes
<b>Resistance against shock</b> • for devices without incandescent lamp / according to IEC 60068-2-27		<= 50g
<b>Resistance against vibration / according to IEC 60068-2-6</b>		20 ... 200 Hz: 5g
<b>Operating cycles / maximum</b>	1/h	1,000
<b>Mechanical operating cycles as operating time / typical</b>		3,000,000
<b>Item designation</b> • according to DIN EN 61346-2 • according to DIN 40719 extendable after IEC 204-2 / according to IEC 750		S S

#### Auxiliary circuit:

<b>Number of NC contacts / for auxiliary contacts</b>		1
<b>Number of NO contacts / for auxiliary contacts</b>		1
<b>Number of change-over switches / for auxiliary contacts</b>		0

#### Installation/mounting/dimensions:

<b>Execution of the mounting</b>		integrated LED
<b>Type of mounting</b>		front mounting
<b>Shape / of the installation hole</b>		round
<b>Installation width</b>	mm	28.5
<b>Mounting diameter</b>	mm	22
<b>Mounting height</b>	mm	8
<b>Tightening torque / of the screws in the bracket / maximum</b>	N·m	1

#### Ambient conditions:

<b>Ambient temperature</b> • during operating • during storage	°C	-25 ... 70 °C -40 ... 80
<b>Protection class IP</b>		IP66

#### Certificates/approvals:

General Product Approval



[ROSTEST](#)



Test Certificates

[Manufacturer](#)

Shipping Approval



other

[Manufacturer](#)

Further information:

Information- and Downloadcenter (Catalogs, Brochures,...)

<http://www.siemens.com/industrial-controls/catalogs>

Industry Mall (Online ordering system)

<http://www.siemens.com/industrial-controls/mall>

CAX-Online-Generator

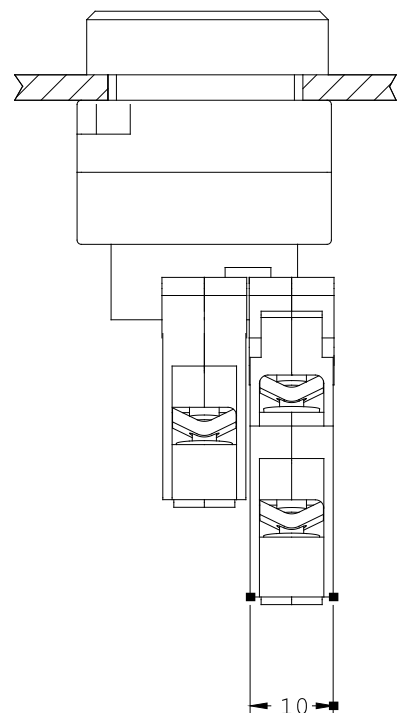
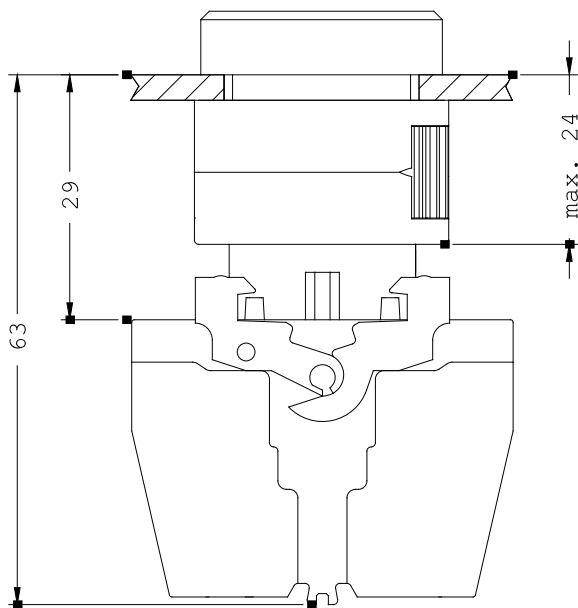
<http://www.siemens.com/cax>

Service&Support (Manuals, Certificates, Characteristics, FAQs,...)

<http://support.automation.siemens.com/WW/view/en/3SB3255-0AA51/all>

Image database (product images, 2D dimension drawings, 3D models, device circuit diagrams, ...)

[http://www.automation.siemens.com/bilddb/cax\\_en.aspx?mlfb=3SB3255-0AA51](http://www.automation.siemens.com/bilddb/cax_en.aspx?mlfb=3SB3255-0AA51)



last change:

Oct 31, 2011