



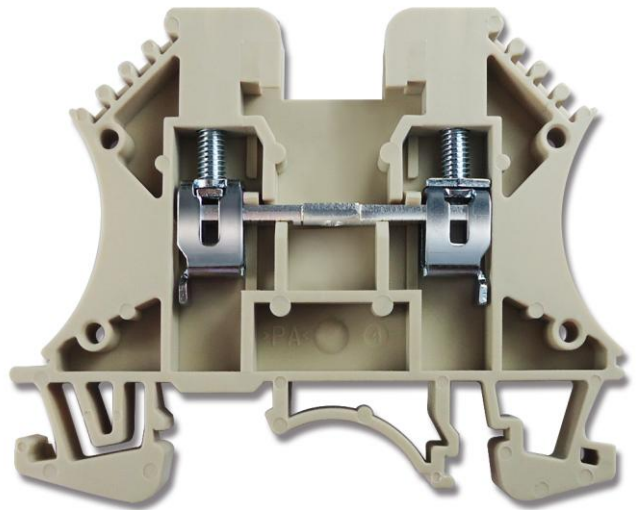
Professionally approved products.

Product Datasheet

Screw Clamp Terminal Blocks, 2.5sq.mm

Screw Clamp Terminal Blocks, 24A, 600V, 22-10 AWG, 0.5-2.5 sq.mm

878-7487



Dimensions in mm

