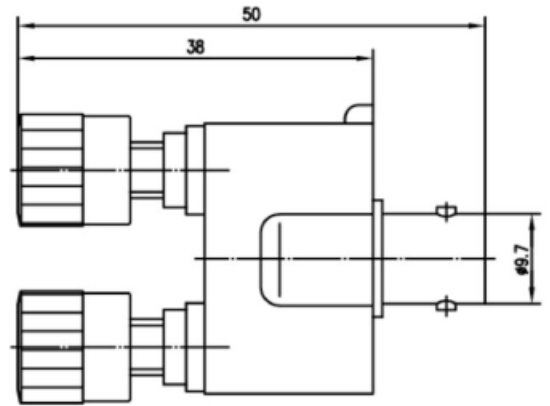
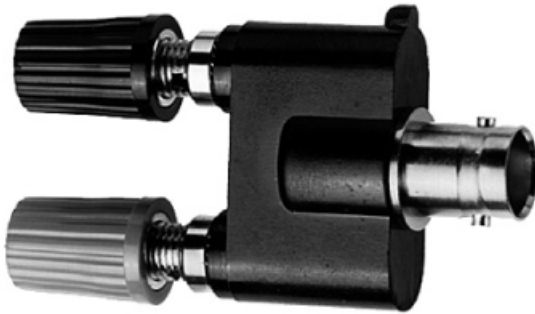


BNC-Binding post-Test Accessories



Technical Attributes	
Remarks	BNC-Binding post; contact pin diameter 4 mm