

Complete Clutch foam module with tools

CPP-EMBMM

SAM Outillage

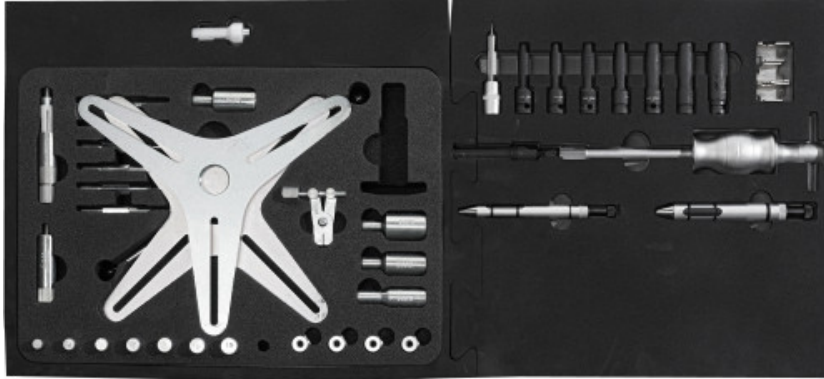
10 rue Camille de RochetaillÃ©e
42000 Saint-Etienne - France

RCS Saint-Etienne B 338 002 231 | SAS au capital de 8 189 583 â,-

<https://www.sam-outillage.com/>

Photos and texts not contractually binding. Do not litter. Document generated on 2025-07-18 08:53:13





DESCRIPTION

Complete Clutch foam module with tools

Set of 13 tools for clutch services

Measurements: 435 x 760 mm

SPECIFIC DATA

Designation	AUTO CLUTCH TOOL KIT - FOAM MODULE 5/5
Sales reference	CPP-EMBMM
Weight (kg)	9.790
Guarantee	O SAM TOOL guarantee.

SAM Outillage

10 rue Camille de RochetaillÃ©e
42000 Saint-Etienne - France

RCS Saint-Etienne B 338 002 231 | SAS au capital de 8 189 583 Å,-

<https://www.sam-outillage.com/>

Photos and texts not contractually binding. Do not litter. Document generated on 2025-07-18 08:53:13



Guarantee applied


O | SAM TOOL guarantee.

Guarantee without time limit on the tools used under normal conditions.


[>> Find out more](#)


Toolset


 x 1 1/2" XZN® screwdriver socket
SD-...-...
Ref : SD-10-5

 x 1 Set of universal centering
3601

 x 1 Internal extraction clamp 16-2
3660-502

 x 1 Bearing puller slide hammer
3660-54

 x 1 Set of 3 clutch flange OPEL
3690-55

 x 1 Sign banner holder 450mm
921E

 x 1 Impact socket set 1/2" Torx® long
19144-90L

 x 1 Transfer syringe 1.5l
680-7

 x 1 Sac clutch aligner
EX-SAC

SAM Outillage

10 rue Camille de RochetaillÃ©e
42000 Saint-Etienne - France

RCS Saint-Etienne B 338 002 231 | SAS au capital de 8 189 583 Å,-

<https://www.sam-outillage.com/>

