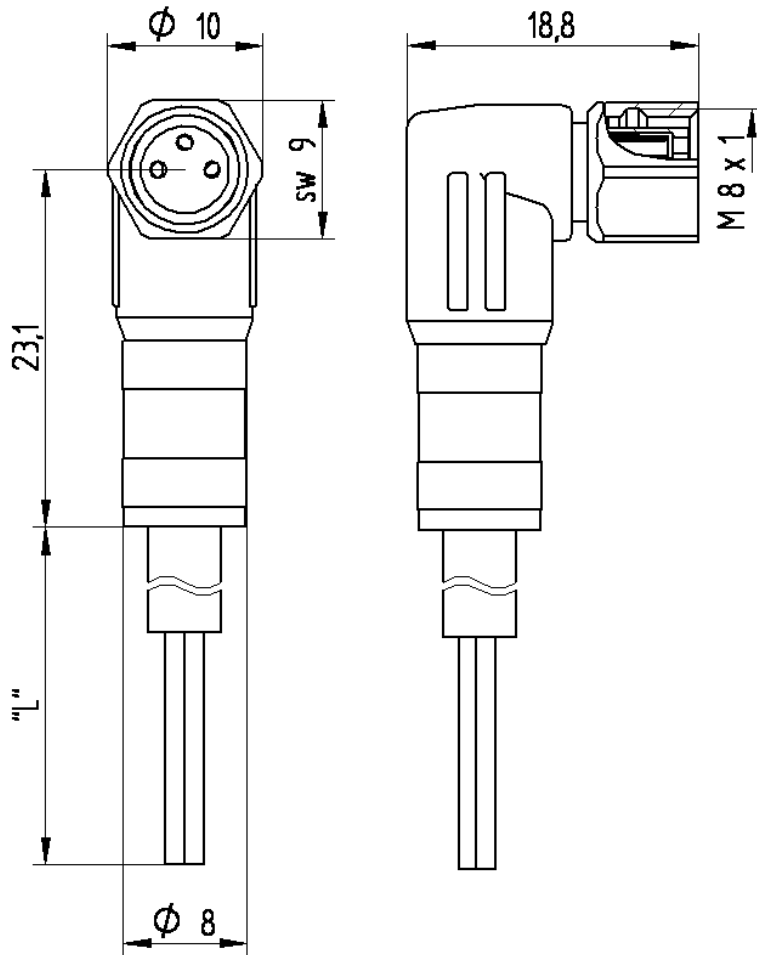
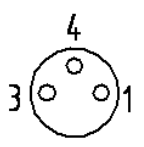

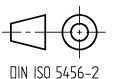


RoHS ✓ 



Typ/ type	Standard - Kontaktbelegung/ standard contact assignment	
	Polzahl/ number of poles	Farbkennung/ colour code
WRKMWV 3..	3	 1 = braun / brown 3 = blau / blue 4 = schwarz / black
WRKMWV 4..	4	 1 = braun / brown 2 = weiß / white 3 = blau / blue 4 = schwarz / black

The information/details in this datasheet merely contain general descriptions or performance factors which, when applied in an actual situation, do not always correspond with the described form, and may be amended by way of the further development of products. The desired performance factors shall only be binding if these are expressly agreed on conclusion of the contract.



**Product description**

- M8 female connector angled with molded cable
- body allows hose mounting

Type	WRKMWV ..., see standard products
Type of contacts	female
Number of contacts	3, 4
Standard	IEC 61076-2-104
Construction type	MM

**Technical data**

Rated voltage	3 pins 60 V 4 pins 30 V
Rated current *	3 and 4 pins 4 A
Rated impulse voltage	3 pins 1,5 kV 4 pins 0,8 kV
Insulation resistance	> 10 <sup>9</sup> Ohm
Contact resistance	≤ 5 mOhm
Pollution degree	3 acc. to DIN EN 60664-1 (VDE 0110-1)

\* Derating beachten

**Materials**

Contact	CuSn
Contact plating	Cu/Au
Contact bearer	PP, white
over molding	PP, white
Hexagon screw	V4A
O-ring	EPDM
Cable	TPE

**Environmental conditions**

Protection class (IEC 60529) \*

IP67 / IP68 / IP69K

Temperature range

-40°C bis +105°C, notice derating \*\*

Good chemical resistance.

The resistance has to be checked in individual cases.

Resistance against following detergents:

- P3-topactive 200 (ECOLAB)
- P3-topactive 52 (ECOLAB)
- P3-topactive 990 (ECOLAB)
- P3-topactive 66 (ECOLAB)
- P3-topactive OKTO (ECOLAB)
- calgonit AF 104
- calgonit SMO
- calgonit Jalu Sauer Plus
- calgonit NF 5401
- calgonit SF 504
- calgonit DS 5614
- P3-oxonia (ECOLAB)
- peracetic acid solution
- demineralized water

high shock and vibration resistance

\* only if mounted and locked in combination with Hirschmann / Lumberg connector.

\*\* Temperature resistance of the cable considered separately

**Approvals**

UL

UL-file no. E315587

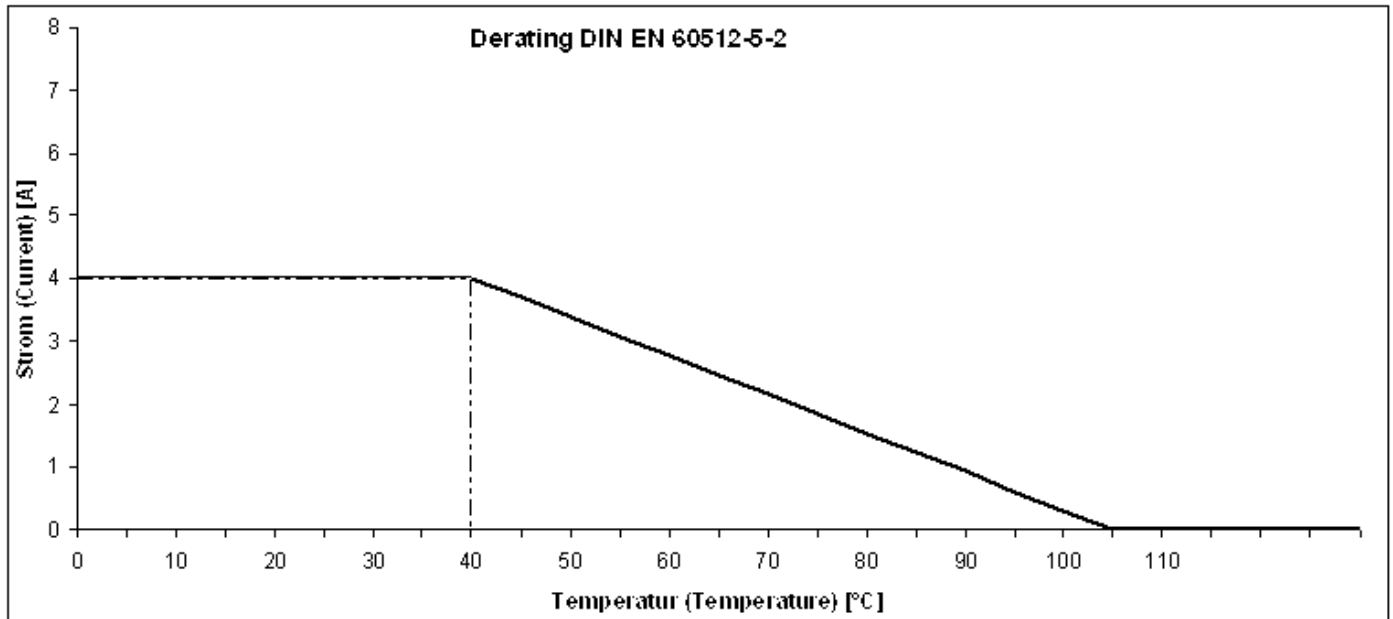
UL-temperature range +90°C

ECOLAB

**Cutline**

Do not connect or disconnect under load.

Further technical information on control line see 197520000 and 197521000



**Standard products**

Artikel-No.	Type
934-730-001	WRKMWV 3-520/2 M
934-730-002	WRKMWV 3-520/5 M
934-730-003	WRKMWV 3-520/10 M
934-730-004	WRKMWV 3-520/15 M
934-730-005	WRKMWV 3-520/20 M
934-730-006	WRKMWV 3-520/25 M
934-730-007	WRKMWV 4-521/2 M
934-730-008	WRKMWV 4-521/5 M
934-730-009	WRKMWV 4-521/10 M
934-730-010	WRKMWV 4-521/15 M
934-730-011	WRKMWV 4-521/20 M
934-730-012	WRKMWV 4-521/25 M