



RCBO, 10 kA, 1P+N, type A, short-time-delayed G, super-resistant K, 30 mA, B char., In: 10 A, Un AC: 230 V

Model	
product brand name	SENTRON
product designation	RCBO
design of the product	Short-time delayed G, super resistant K
General technical data	
number of poles	2
number of poles with protection	1
design of pole	1P+N
tripping characteristic class	B
mechanical service life (operating cycles) typical	10 000
overvoltage category	III
degree of pollution	2
Voltage	
type of voltage of the operating voltage	AC
insulation voltage (Ui) rated value	264 V
surge voltage resistance rated value	4 000 V
surge current resistance at (8/20) μ s	3 kA
Supply voltage	
supply voltage	
• at AC rated value	230/240 V
• for testing equipment minimum	195 V
operating frequency	50/60 Hz
supply voltage frequency rated value	50 Hz
Protection class	
protection class IP	IP20, if the distribution board is installed, with connected conductors
Switching capacity	
short-circuit current breaking capacity (Icn) according to EN 61009-1 rated value	10 kA
switching capacity current	
• according to EN 60898 rated value	10 kA
• according to IEC 60947-2 rated value	20 kA
rated residual switching capacity (I Δ m) according to IEC 61009-1	10 kA
energy limitation class	3
Dissipation	
power loss [W]	
• maximum	1.8 W
operational current	
• at 30 °C rated value	10 A
• at 40 °C rated value	9.5 A

• at 45 °C rated value	9.3 A
• at 50 °C rated value	9 A
• at 55 °C rated value	8.7 A
• at 60 °C rated value	8.5 A
• at 65 °C rated value	8.1 A
• at 70 °C rated value	7.7 A

Product details

product feature	
• halogen-free	Yes
• silicon-free	Yes

Connections

connectable conductor cross-section solid	
• minimum	0.75 mm ²
• maximum	35 mm ²
connectable conductor cross-section stranded	
• minimum	0.75 mm ²
• maximum	35 mm ²
connectable conductor cross-section finely stranded with core end processing	
• minimum	0.75 mm ²
• maximum	25 mm ²
tightening torque with screw-type terminals	
• minimum	2.5 N·m
• maximum	3 N·m
position of power supply cord	Either top or bottom

Mechanical Design

height	90 mm
width	36 mm
depth	77 mm
installation depth	70 mm
number of modular width units	2
mounting position	any
net weight	280 g
weight with packaging	280 g

Environmental conditions

influence of the surrounding temperature	Max. 95% humidity
ambient temperature during operation	
• minimum	-25 °C
• maximum	55 °C
ambient temperature during storage	
• minimum	-40 °C
• maximum	75 °C
number of test cycles for environmental testing according to IEC 60068-2-30	28

Approvals Certificates

General Product Approval	EMC	Declaration of Conformity
--------------------------	-----	---------------------------

[Confirmation](#)



[Miscellaneous](#)



Declaration of Conformity	Test Certificates	Marine / Shipping	other
---------------------------	-------------------	-------------------	-------



[Special Test Certificate](#)



[Miscellaneous](#)

[Confirmation](#)

[Miscellaneous](#)

[Vibration and Shock](#)[Transport Information](#)[Environmental Con-
firmations](#)**Further information**

Siemens has decided to exit the Russian market (see here).

<https://press.siemens.com/global/en/pressrelease/siemens-wind-down-russian-business>

Siemens is working on the renewal of the current EAC certificates.

Please contact your local Siemens office on the status of validity of the EAC certification if you intend to import or offer to supply these products to an EAC relevant market (other than the sanctioned EAEU member states Russia or Belarus).

Information on the packaging

<https://support.industry.siemens.com/cs/ww/en/view/109813875>

Information- and Downloadcenter (Catalogs, Brochures,...)

<http://www.siemens.com/lowvoltage/catalogs>

Industry Mall (Online ordering system)

<https://mall.industry.siemens.com/mall/en/en/Catalog/product?mlfb=5SU1354-6LB10>

Service&Support (Manuals, Certificates, Characteristics, FAQs,...)

<https://support.industry.siemens.com/cs/ww/en/ps/5SU1354-6LB10>

Image database (product images, 2D dimension drawings, 3D models, device circuit diagrams, ...)

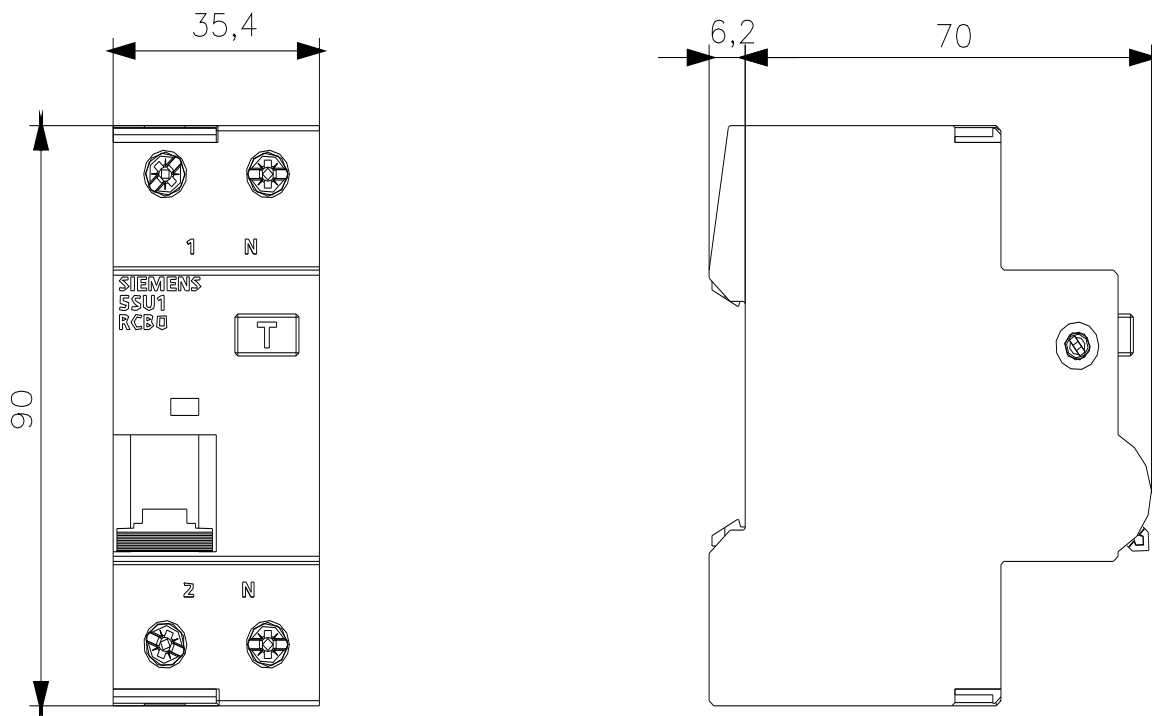
http://www.automation.siemens.com/bilddb/cax_en.aspx?mlfb=5SU1354-6LB10

CAx-Online-Generator

<http://www.siemens.com/cax>

Tender specifications

<http://www.siemens.com/specifications>



last modified:

8/13/2023

