



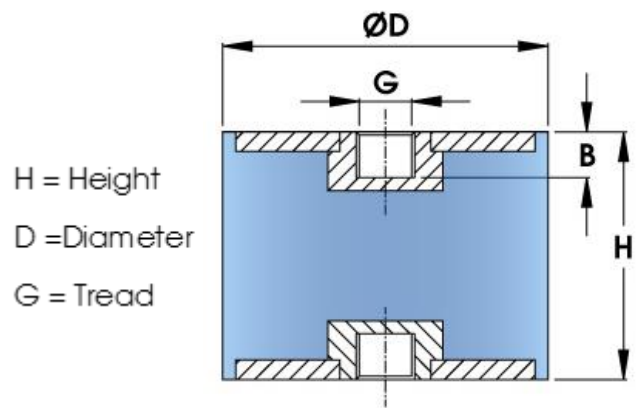
**ENGLISH**

**Stainless Steel Female/Female Cylindrical Bobbins**

Cylindrical Bobbin mounts are simple and cost-effective vibration isolators that can be used in either compression and/or shear.

**Applications:**

- Static generator engines
- Compressors
- Motors



Item Code	Description	D (mm)	H (mm)	G (mm)	Max Compression Load (kg)	Max Shear Load (kg)
1854485	Female/Female 55 ShA Stainless Steel (316 grade)	30	25	M8	50.8	18.30
1854488	Female/Female 55 ShA Stainless Steel (316 grade)	40	30	M8	92.16	32.47
1854491	Female/Female 55 ShA Stainless Steel (316 grade)	50	35	M10	147.04	50.78
1854493	Female/Female 55 ShA Stainless Steel (316 grade)	30	30	M8	48.64	18.30