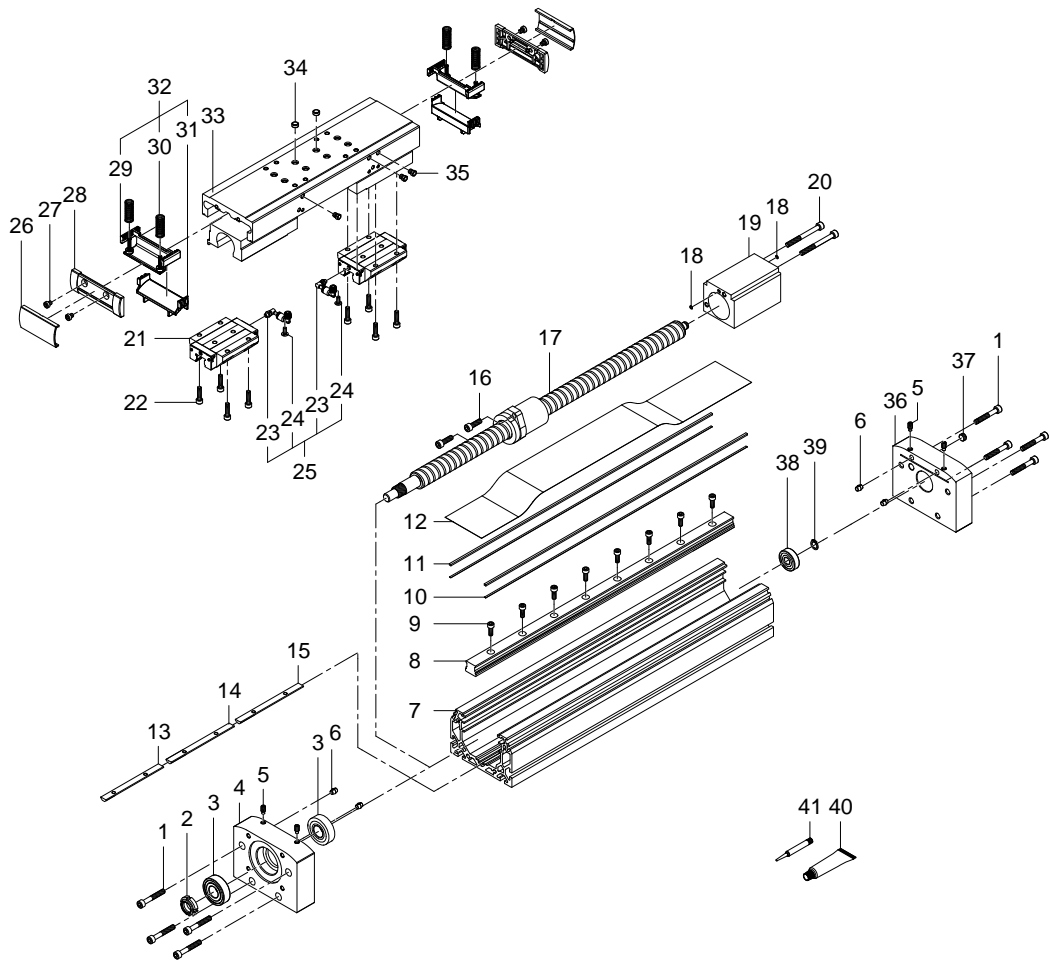


8041836 ELGA-BS-KF-120-100-0H-10P-ML Ball screw axis - Series: All



8041836 ELGA-BS-KF-120-100-0H-10P-ML Ball screw axis - Series: All

Pos.	Part no.	Type	Note	Qty.	Unit
A	739508	EGC/ELGA-120-BS ET Bearing module	Spare parts: 2, 3, 18, 38, 39	1	PC
1	200129	ISO 4762-M6X40-10.9 Socket head screw	Tightening torque 12 Nm / 8.9 lbf ft Use locking compound. See position 41	8	PC
2	717740	GUA 16X1 Grooved nut		1	PC
3		DIN 628-7203-B-2RS Angular ball bearing	Not available separately, see position A	2	PC
4	2390413	ELGA-BS-KF-120 clevis foot		1	PC
5	200702	ISO 4028-M6X12-45H Threaded pin	Tightening torque 2 Nm / 1.5 lbf ft	4	PC
6	371075	7,5X9,0 Buffer element		4	PC
7		ELGA-BS-KF-120 Cylinder barrel	Not available	1	PC
8		ELGA-BS-KF-120 Roller track	Not available	1	PC
9	8030873	ISO 4762-M5X14-12.9 Socket head screw	Tightening torque 7 Nm / 5.2 lbf ft Use locking compound. See position 41	1	PC
10	4171246	ELGA-TB-KF Adhesive tape		25	M
11	8040752	2X3X10000 Magnetic tape	Attention! Length 10 meter	1	PC
12	8040790	ELGA-YA-BS-KF-120- - Cover strip	When ordering please specify the configuration (see type plate)	1	PC
13	2784357	ELGA-KF-120 Slot nut		2	PC
14	2787437	ELGA-KF-120 Slot nut		1	PC
15	2787442	ELGA-KF-120 Slot nut		1	PC
16	200688	ISO 4762-M6X20-10.9 Socket head screw	Tightening torque 3.5 Nm / 2.6 lbf ft Use locking compound. See position 41	2	PC
17	8040720	ELGA-YB-BS-KF-120- - Spindle module	When ordering please specify the configuration (see type plate)	1	PC
18	711161	3X1-N-NBR70 O-ring		2	PC
19	2612575	ELGA-BS-KF-120 Retainer		1	PC
20	200404	ISO 4762-M6X60-10.9 Socket head screw	Tightening torque 9 Nm / 6.6 lbf ft Use locking compound. See position 41	2	PC
21	2382710	F-607533.KWVE20-B Roller carriage	Attention! It is essential that the information in the repair manual be closely observed! Grease using during assembly. See position 40	2	PC
22		ISO 4762-M5X20-10.9 Socket head screw	Not available Tightening torque 7.5 Nm / 5.5 lbf ft Use locking compound. See position 41	8	PC
23		LCN-M5-PK-2 Barbed elbow fitting	Not available separately, see position 25 Tightening torque 0.5 Nm / 0.4 lbf ft	2	PC
24		F-M4X10-A-70 flange screw	Not available separately, see position 25 Tightening torque 0.5 Nm / 0.4 lbf ft	2	PC
25	8049977	ELGA-...-KF-120/150 Fittings kit		1	PC

Pos.	Part no.	Type	Note	Qty.	Unit
26	1208190	ELGA-TB-G-120 Clip		2	PC
27		ISO 14580-M5X6-A2-70 Socket head screw	Not available Tightening torque 2 Nm / 1.5 lbf ft Use locking compound. See position 41	4	PC
28	1208189	ELGA-TB-G-120 Cover		2	PC
29		ELGA-TB-G-120 Belt reversal	Not available separately, see position 32	2	PC
30		EFK- 16- 10 P Compression spring	Not available separately, see position 32	4	PC
31		ELGA-TB-G-120 Belt reversal	Not available separately, see position 32	2	PC
32	1202796	ELGA-TB-G-120 Belt reversal		2	PC
33	8123522	ELGA-BS-KF-120 Slide module		1	PC
34	8137184	ZBH-9-B Centring sleeve		2	PC
35	223511	AM 6 DIN 3405 Lubrication nipple	Tightening torque 1.2 Nm / 0.9 lbf ft Grease using during assembly. See position 40	3	PC
36	2390407	ELGA-BS-KF-120 Bearing cap		1	PC
37		G1/8-AL-SA Sealing plug	Not available	1	PC
38		XF+D625-6200-2RS Deep groove ball bearing	Not available separately, see position A	1	PC
39	200618	DIN 471-10X1 Retaining ring		1	PC
40	684474	LUB-KC1 SILIKONFREI 20ML Lubricating grease		1	PC
41	8181256	CYBERBOND TM44 TB1ML Adhesive bonding agent		1	PC