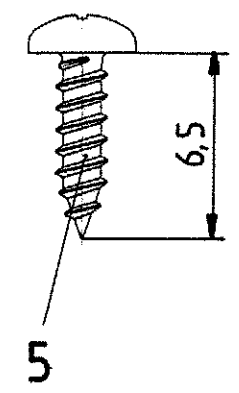
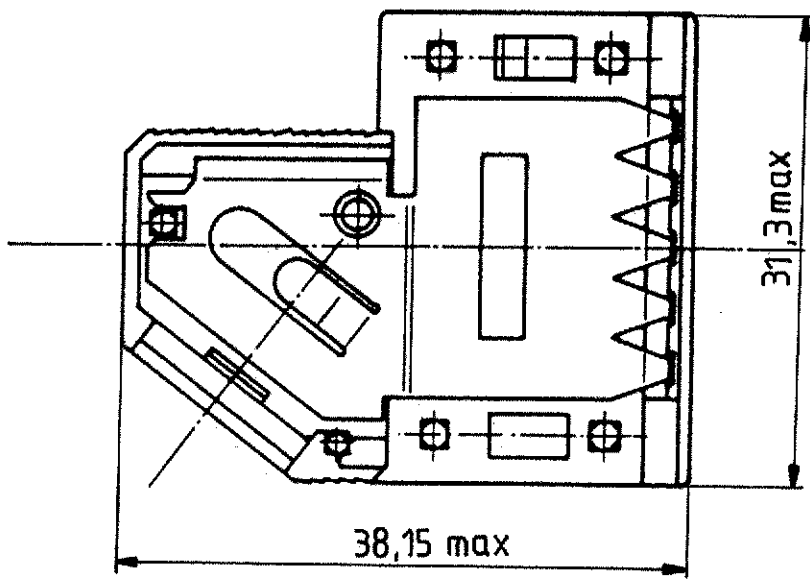
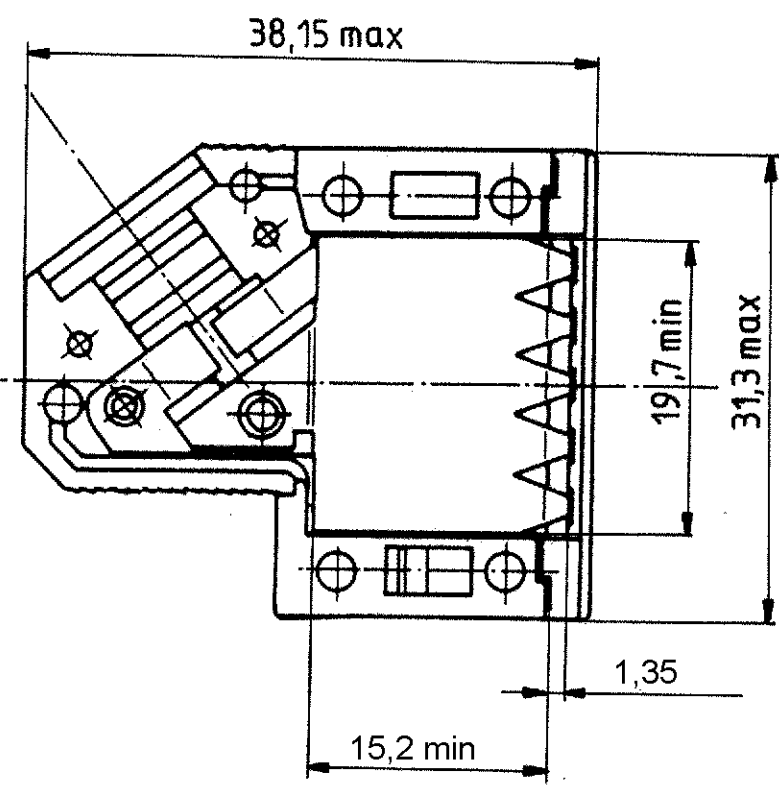
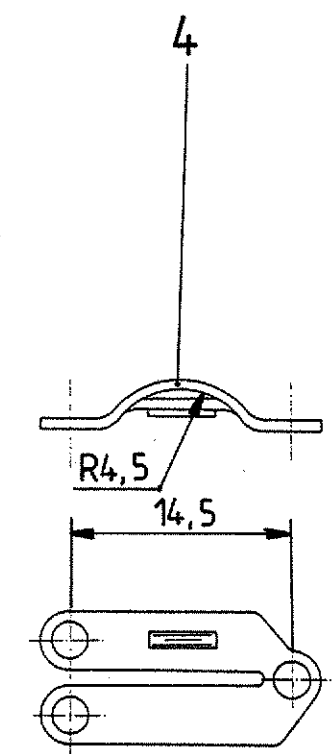
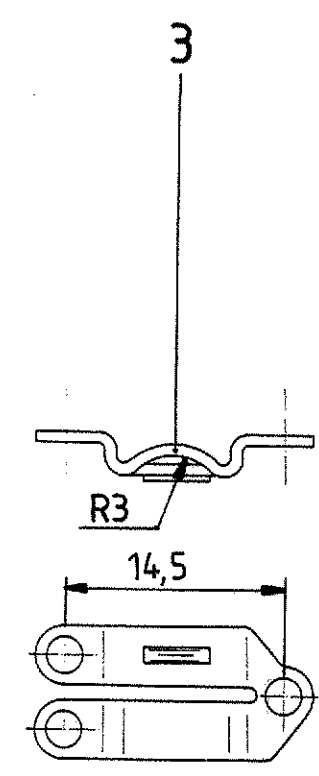
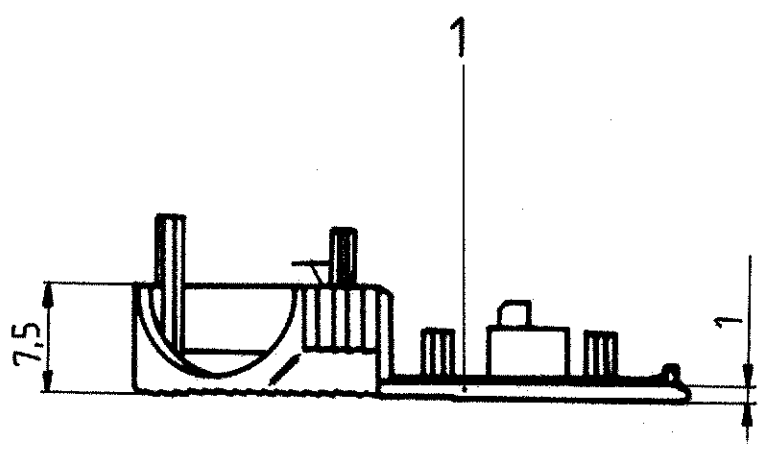
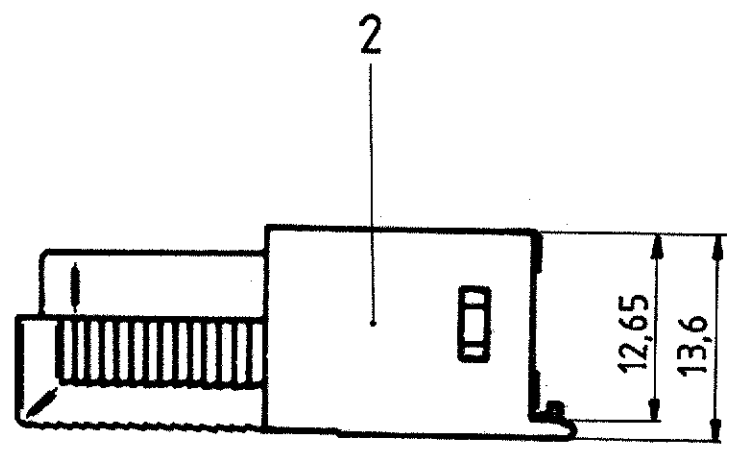


Sin nuestra autorización, queda terminantemente prohibida la reproducción total o parcial de este documento, así como su uso indebido y/o su exhibición o comunicación a terceros. De los infractores se exigirá el correspondiente resarcimiento de daños y perjuicios. Se reserva todos los derechos para el caso de la concesión de patente de invención o el registro de Modelo Industrial.

Weitergabe sowie Vervielfältigung dieser Unterlage, Verwertung und Mitteilung ihres Inhalts sind nicht gestattet, soweit nicht ausdrücklich zugestanden. Zuwiderhandlungen verpflichten zu Schadenersatz. Alle Rechte für den Fall der Patenterteilung oder GM-Eintragung vorbehalten.

Copying of this document, and giving it to others and the use or communication of the contents thereof, are forbidden without express authority. Offenders are liable to the payment of damages. All rights are reserved in the event of the grant of a patent or the registration of a utility model or design.



△ 1 FOR PLASTIC PARTS (POS. 1 AND 2):
 - LENGTHS: DIN 16901/130,
 - ANGLES, FORMS: DIN 7168-m, R,
 FOR METAL PARTS (POS. 3 AND 4): DIN 7168-m,
 FOR SCREWS (POS. 5 AND 6): DIN 7981 F-H.

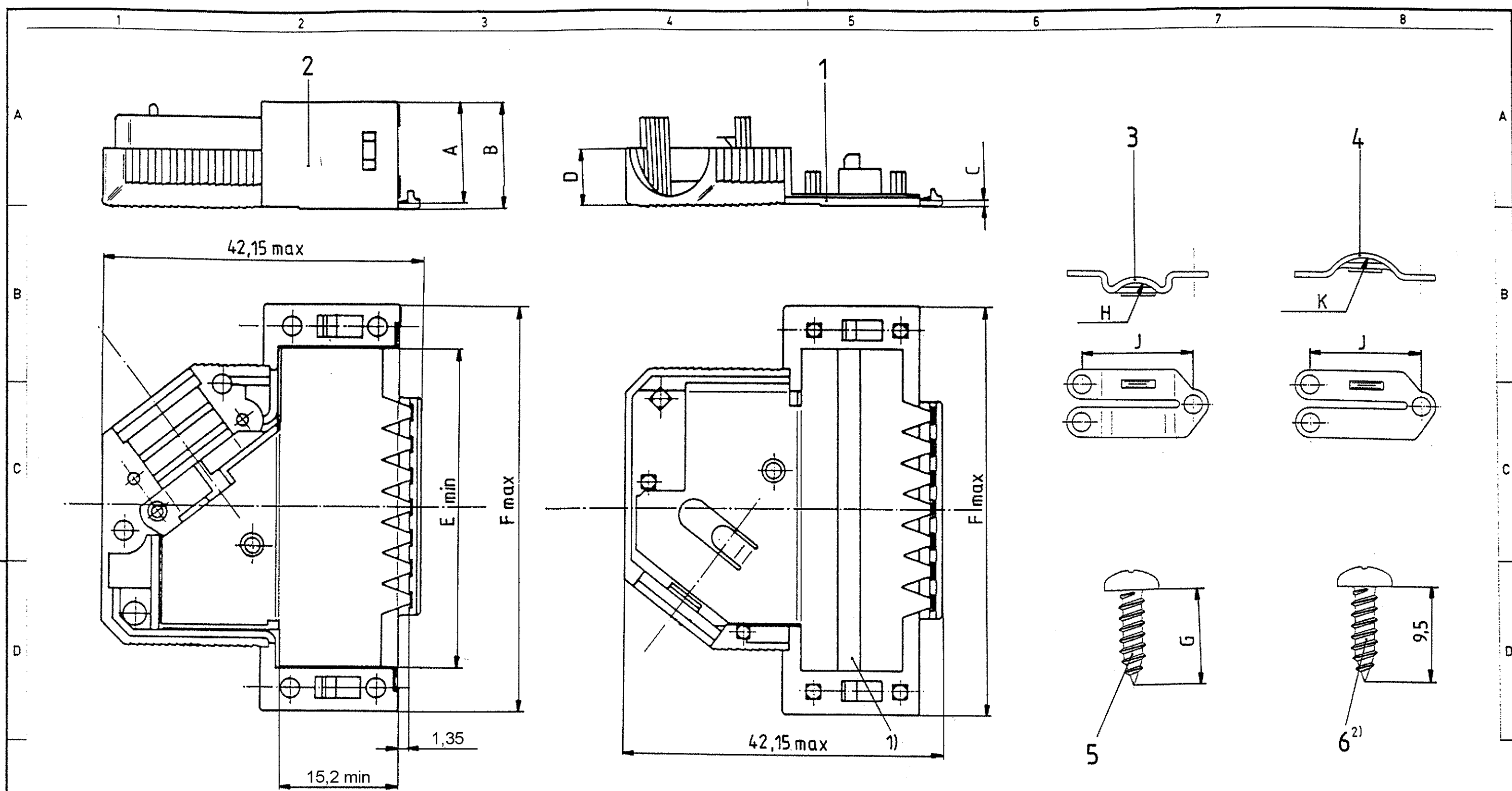
P/N 9 contacts version: V42254-A6000-G*09

				Maßstab	
				Tyco Electronics Tyco Electronics Corporation Oostkamp - Belgium	
				D-Sub housing shielded 9 contacts	
A4	ECR-10-017904	08DEC10	FRK	Datum:	30.08.88
A3	ECR-10-010763	24AUG10	FRK	Bearb:	De Petter
A2	ECR-09-024033	16-02-10	FRK	Geor:	PD Com P&SE
A1	SR10-0493-02	21 NOV 02	KV	Norm:	
A	W000/7013	03.07.00	KV		
02	WB 89/176	27.06.89	VH	TOLERANCES UNLESS OTHERWISE SPECIFIED:	
01		22.09.88			
51		30.08.88			
Zust:	Mitteilung	Datum	Name	V42254-A6000-G***-*-27	
				customer drawing number: C 1393738-1	
				page 1+	
				of 6	

Si esta copia o reproducción total o parcial de este documento, así como su uso indebido y/o su exhibición o comunicación a terceros de los datos e información que contiene, se considerará un acto de infracción de los derechos de propiedad intelectual. Se reserva todos los derechos para el caso de la creación de patente de invención o el registro de Modelo Industrial.

Wiedergabe sowie Vervielfältigung dieses Unterbauelementes, sowie die Verbreitung, die öffentliche Zugänglichmachung, die Verbreitung und die Kommunikation mit Dritten der Daten und Informationen, die es enthält, ohne die schriftliche Genehmigung der Tyco Electronics Corporation, ist ausdrücklich untersagt. Alle Rechte vorbehalten. Falls der Patentschutz oder ein Markenrecht vorliegt, wird dies hiermit ausdrücklich bestätigt.

Copying of this document and opening it to others and the use or communication of the contents thereof are forbidden without express authority. Offenders are liable to the payment of damages. All rights are reserved in the event of the grant of a patent or the registration of a utility model or design.



housing		dimension									
P/N	No. of contacts	A	B	C	D	E	F	G	H	J	K
V42254-A6000-											
G × 15	15					28	39,62		R3	14,5	R4,5
G × 25	25	13	14	1	7,5	41,8	53,52	6,5	R4	16	R5,5
G × 37	37					58,25	69,8				
G × 50	50	16	17,5	1,5	9,5	55,78	67,41	9,5	R5,5	20,6	R7

2) only for the 37 contacts version
 1) tape only for the 15 to 37 contacts versions
 drawn is the 25 contacts version

A4 SEE SHEET 1		Datum: 30.08.88		Maßstab	
Zust	Mitteilung	Datum	Name	Tyco Electronics Corporation Oostkamp - Belgium	
TOLERANCES UNLESS OTHERWISE SPECIFIED:				D-Sub housing	
1				shielded 15 to 50 contacts	
				V42254-A6000-G***-*-27	
				customer drawing number: C 1393738-1	
				page 2+	
				of 6	

V 4 2 2 5 4 - A 6 0 0 * - G * * *

Housing type

G plastic housing, shielded

Marking and colour of the housing

- 1 TE-marking, grey
- 2 without marking, grey
- 3 TE-marking, black
- 4 without marking, black

Packaging	wire diameter	No. of contacts - housing size					
		0	1	2	3	4	
set 1)	4-8					09	9 contact - housing size 1
200 2)	4-6					15	15 contacts - housing size 2
200 2)	6-8					25	25 contacts - housing size 3
200 2)	8-10					37	37 contacts - housing size 4
200 2)	10-11					50	50 contacts - housing size 5
200 2)	9-14,5						
200 2)	9-12						
200 2)	12-14,5						
200 2)	8-10						
200 2)	9-14,5						

1) per set, in blister
 - 9 and 15 contacts : 25
 - 25, 37 and 50 contacts : 15
 2) loose pieces, in cardboard : 200



Tyco Electronics Corporation
 Oostkamp - Belgium



LOC DIMENSIONS
 GW IN MM

SCALE

WEIGHT

MATERIAL

DATE 30.08.88
 NAME De Petter
 DEP. PD Com P&SE

NAME
 D-Sub Housing
 shielded

TOLERANCE UNLESS
 SPECIFIED OTHERWISE

DWG NO.
 V42254-A6000-G***-*-27

SHT. 3+

A4 SEE SHEET 1

REV. CHANGE ORDER DATE APP. customer drawing number: C 1393738-1

OF 6

THIS INFORMATION IS CONFIDENTIAL AND PROPRIETARY TO TYCO ELECTRONICS CORPORATION AND ITS WORLDWIDE SUBSIDIARIES AND AFFILIATES. IT MAY NOT BE DISCLOSED TO ANYONE, OTHER THAN TYCO ELECTRONICS PERSONEL, WITHOUT WRITTEN AUTHORIZATION FROM TYCO ELECTRONICS CORPORATION, HARRISBURG, PENNSYLVANIA USA.

PROPRIETARY:

1

2

3

4

A

Active part numbers. Contact Tyco Electronics for other configuration availability

B

Old Part Number	TE Part Number
V42254-A6000-G109	1393738-1
V42254-A6000-G115	1393738-2
V42254-A6000-G125	1393738-3
V42254-A6000-G137	1393738-4
V42254-A6000-G150	1393738-5
V42254-A6000-G209	1393738-6
V42254-A6000-G309	1393738-7
V42254-A6000-G315	1393738-8
V42254-A6000-G325	1393738-9
V42254-A6001-G109	4-1393738-2
V42254-A6001-G125	4-1393738-4
V42254-A6001-G309	4-1393738-5
V42254-A6001-G315	4-1393738-6
V42254-A6002-G109	5-1393738-0
V42254-A6002-G125	5-1393738-2
V42254-A6003-G137	5-1393738-7
V42254-A6004-G109	5-1393738-9
V42254-A6004-G115	6-1393738-0
V42254-A6004-G125	6-1393738-1
V42254-A6004-G137	6-1393738-2
V42254-A6004-G150	6-1393738-3
V42254-A6004-G209	6-1393738-4
V42254-A6004-G215	6-1393738-5
V42254-A6004-G225	6-1393738-6
V42254-A6004-G309	1-1393739-9
V42254-A6004-G315	6-1393738-7
V42254-A6004-G325	2-1393739-0
V42254-A6004-G337	2-1393739-1
V42254-A6004-G350	2-1393739-2
V42254-A6004-G409	6-1393738-8
V42254-A6004-G415	6-1393738-9
V42254-A6004-G437	7-1393738-1

SUPERSEDED BY 1393738-1

OBSOLETE

SUPERSEDED BY 6-1393738-1

SUPERSEDED BY 1-1393739-9

SUPERSEDED BY 6-1393738-7

OBSOLETE

SUPERSEDED BY 6-1393738-1

SUPERSEDED BY 6-1393738-2

SUPERSEDED BY 5-1393738-9

OBSOLETE

OBSOLETE

SUPERSEDED BY 6-1393738-2

SUPERSEDED BY 6-1393738-3

OBSOLETE

OBSOLETE

OBSOLETE

C

D

E



Tyco Electronics Corporation
Oostkamp - Belgium



LOC DIMENSIONS
GW IN MM

SCALE

WEIGHT

MATERIAL

DATE 30.08.88

NAME De Petter

DEP. PD Com P&SE

EC

TOLERANCE UNLESS
SPECIFIED OTHERWISE

NAME

D-Sub Housing

shielded

DWG NO.

V42254-A6000-G***-*-27

SHT. 4+

REV. SEE SHEET 1.

CHANGE ORDER

DATE

APP.

Customer Drawing: C 1393738-1

OF 6

1

2

3

4

F

THIS INFORMATION IS CONFIDENTIAL AND PROPRIETARY TO TYCO ELECTRONICS CORPORATION AND ITS WORLDWIDE SUBSIDIARIES AND AFFILIATES. IT MAY NOT BE DISCLOSED TO ANYONE, OTHER THAN TYCO ELECTRONICS PERSONEL, WITHOUT WRITTEN AUTHORIZATION FROM TYCO ELECTRONICS CORPORATION, HARRISBURG, PENNSYLVANIA USA.

PROPRIETARY:



PROPRIETARY: THIS INFORMATION IS CONFIDENTIAL AND PROPRIETARY TO TYCO ELECTRONICS CORPORATION AND ITS WORLDWIDE SUBSIDIARIES AND AFFILIATES. IT MAY NOT BE DISCLOSED TO ANYONE, OTHER THAN TYCO ELECTRONICS PERSONNEL, WITHOUT WRITTEN AUTHORIZATION FROM TYCO ELECTRONICS CORPORATION, HARRISBURG PENNSYLVANIA USA

V 4 2 2 5 4 - A 6 1 * * - L 1

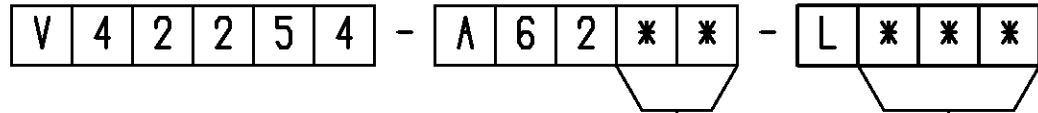
Technical data		
	contact tube outer diameter ±0.1	for shield braiding outer diameter
04	4	2.0 to 2.7
05	5	2.8 to 3.7
06	6	3.8 to 4.7
07	7	4.8 to 5.7
08	8	5.8 to 6.7
09	9	6.8 to 7.7
10	10	7.8 to 8.7
11	11	8.8 to 9.7
12	12	9.8 to 10.7
13	13	10.8 to 11.7
14	14	11.8 to 12.7
15	15	12.8 to 13.7

Active part numbers. Contact Tyco Electronics for other configuration availability

Old Part Number	TE Part Number	
V42254-A6104-L1	3-1393561-2	OBSOLETE
V42254-A6105-L1	3-1393561-3	
V42254-A6106-L1	3-1393561-4	
V42254-A6107-L1	3-1393561-5	
V42254-A6108-L1	3-1393561-6	
V42254-A6109-L1	3-1393561-9	
V42254-A6110-L1	4-1393561-0	
V42254-A6111-L1	4-1393561-1	
V42254-A6112-L1	4-1393561-2	
V42254-A6113-L1	4-1393561-3	OBSOLETE
V42254-A6114-L1	4-1393561-4	OBSOLETE
V42254-A6115-L1	5-1393502-9	OBSOLETE

APPLICABLE SPEC.:				FINISH					
				DIMENSIONS APPLY		PLATING			
		TYCO ELECTRONICS CORPORATION				SCALE		WEIGHT	
		OOSTKAMP - BELGIUM				MATERIAL			
		DATE 30.08.88		NAME		D-Sub Housing			
		NAME De Petter		accessories: contact tubes					
		DEP. PD Com P&SE		EC					
		TOLERANCE UNLESS SPECIFIED OTHERWISE		DWG NO.		SHT. 5+			
A4 SEE SHEET 1		customer drawing number: C 1393738-1		V42254-A6000-G***-*-27		OF 6			
REV. CHANGE ORDER		DATE		APP.					

PROPRIETARY: THIS INFORMATION IS CONFIDENTIAL AND PROPRIETARY TO TYCO ELECTRONICS CORPORATION AND ITS WORLDWIDE SUBSIDIARIES AND AFFILIATES. IT MAY NOT BE DISCLOSED TO ANYONE, OTHER THAN TYCO ELECTRONICS PERSONNEL, WITHOUT WRITTEN AUTHORIZATION FROM TYCO ELECTRONICS CORPORATION, HARRISBURG PENNSYLVANIA USA



		Technical Data	
		bushing inner diameter ±0.2	cable outer diameter
00	1)2)	/	/
05	3)	5	4.2 to 4.9
06	3)	6	5.0 to 5.9
07	3)	7	6.0 to 6.9
08	3)	8	7.0 to 7.9
09	3)	9	8.0 to 8.9
10	2)	10	9.0 to 9.9
11	2)	11	10.0 to 10.9
12	4)	12	11.0 to 11.9
13	4)	13	12.0 to 12.9
14	4)	14	13.0 to 13.9
15	4)	15	14.0 to 14.9

	contacts	colour
1	9 to 37	grey
50	50	grey
100	9 to 37	black
150	50	black

Active part numbers. Contact Tyco Electronics for other configuration availability

Old Part Number	TE Part Number	
V42254-A6200-L 1	4-1393561-5	
V42254-A6200-L 50	4-1393561-6	
V42254-A6200-L100	5-1393502-1	OBSOLETE
V42254-A6200-L150	5-1393502-2	OBSOLETE
V42254-A6205-L 1	4-1393561-7	
V42254-A6205-L100	4-1393561-8	
V42254-A6206-L 1	4-1393561-9	
V42254-A6206-L100	5-1393561-0	
V42254-A6207-L 1	5-1393561-1	
V42254-A6207-L100	5-1393561-4	OBSOLETE
V42254-A6208-L 1	5-1393561-5	
V42254-A6208-L100	5-1393561-6	
V42254-A6209-L 1	5-1393561-7	
V42254-A6209-L100	5-1393561-8	
V42254-A6210-L 1	5-1393561-9	
V42254-A6210-L 50	6-1393561-0	
V42254-A6210-L100	6-1393561-1	OBSOLETE
V42254-A6210-L150	5-1393502-3	OBSOLETE
V42254-A6211-L 1	6-1393561-2	
V42254-A6211-L 50	6-1393561-3	
V42254-A6211-L100	5-1393502-4	OBSOLETE
V42254-A6211-L150	5-1393502-5	OBSOLETE
V42254-A6212-L 50	6-1393561-4	
V42254-A6212-L150	5-1393502-6	OBSOLETE
V42254-A6213-L 50	6-1393561-5	
V42254-A6213-L150	5-1393502-7	OBSOLETE
V42254-A6214-L 50	6-1393561-6	
V42254-A6214-L150	5-1393502-8	OBSOLETE
V42254-A6215-L 50	8-1393501-5	OBSOLETE
V42254-A6215-L150	6-1393561-7	OBSOLETE

- 4) only for 50 contacts
- 3) only for 9 to 37 contacts
- 2) for 9 to 50 contacts
- 1) Blank bushing

APPLICABLE SPEC.:		FINISH	
		DIMENSIONS APPLY PLATING	
TYCO ELECTRONICS CORPORATION OOSTKAMP - BELGIUM		DIMENSIONS IN MM	
DATE	30.08.88	NAME	
NAME	De Petter	D-Sub Housing	
DEP.	PD Com P&SE	accessories: cable bushings	
EC		DWG NO.	
TOLERANCE UNLESS SPECIFIED OTHERWISE		V42254-A6000-G***-*-27	
REV.	A4 SEE SHEET 1	SHT. 6-	
CHANGE ORDER	DATE	APP. customer drawing number: C 1393738-1	
		OF 6	