

705-1222

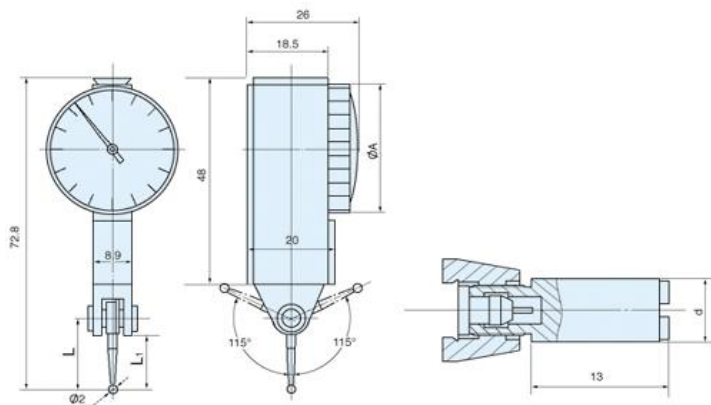
Description: Dial Test Indicator with Large Dial Face

Specification: 0-0.03"

Resolution: 0.0005"

Accuracy: 0.0004"

Dial Diameter: ϕ 1.58"



FEATURES

- High quality brass main bodies, high resistance to magnetism
- Jeweled, vibration proof, durable
- Pivot ball bearing
- Carbide, jewelball or steel contact point
- Three dovetails