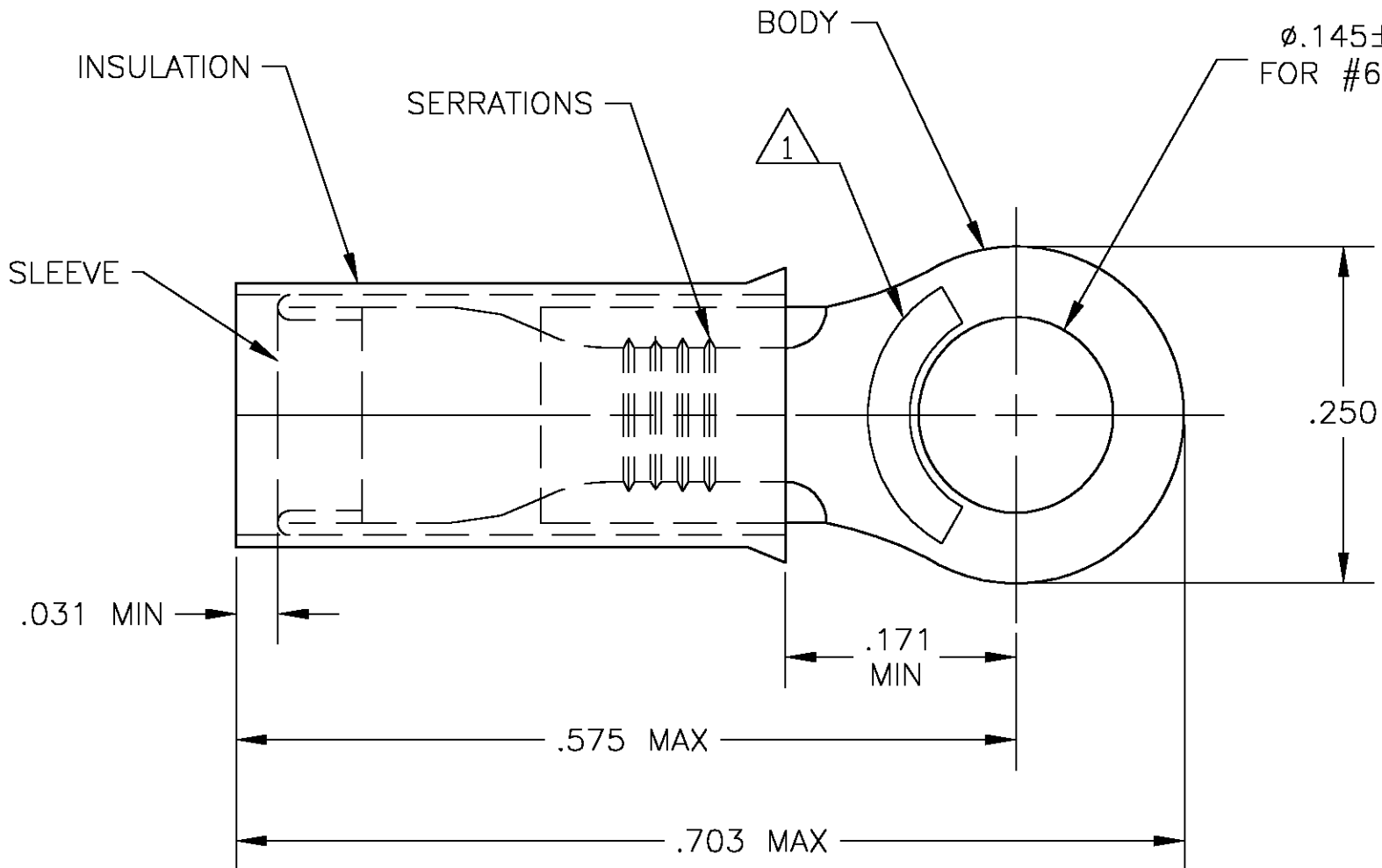


THIS DRAWING IS UNPUBLISHED. RELEASED FOR PUBLICATION
 © COPYRIGHT BY TYCO ELECTRONICS CORPORATION. ALL RIGHTS RESERVED.

LOC	DIST	REVISIONS			
P	LTR	DESCRIPTION	DATE	DWN	APVD
G	14	H	REV PER 0G3A-0509-03	19AUG03	JR TM

AMP WIRE RANGE	Listed	LR7189 Certified
16-14 AWG SOLID OR STRANDED	16-14 AWG SOLID OR STRANDED	16-14 AWG SOLID OR STRANDED



- 1 STAMP AMP 16-14*, APPROX AS SHOWN. STAMP MAY BE ON TOP OR BOTTOM.
- 2 TONGUE THICKNESS IS .031±.002
- 3 FOR .115-.170 WIRE INSULATION DIA
- 4 MAX RECOMMENDED OPERATING TEMP IS 105°C.
- 5 300 VOLT MAX RATING.
- 6 WIRE CROSS SECTIONAL AREA RANGE 1.04-2.62mm [2,050-5,180 CIR MILS]

QTY	PACKAGING	MATERIAL / FINISH	PART NO
25	LOOSE PIECE, BLS	BODY & SLEEVE: COPPER PER ASTM B152 TIN PL. PER ASTM B-545 INSULATION: NYLON COLOR: BLUE	9-320619-4
5	LOOSE PIECE, BLS		8-320619-4
100	LOOSE PIECE, BOX		8-320619-1
5000	ON TAPE, REEL		2-320619-1
-	LOOSE PIECE		320619

THIS DRAWING IS A CONTROLLED DOCUMENT.		DWN jr_ruth 19AUG03	Tyco Electronics Corporation Harrisburg, PA 17105	
DIMENSIONS: INCHES		CHK T MICHIELUTTI 19AUG03		
TOLERANCES UNLESS OTHERWISE SPECIFIED:		APVD T MICHIELUTTI 19AUG03	NAME WIRE TERMINAL PIDG, RING TONGUE WIRE SIZE: 16-14	
0 PLC ± - 1 PLC ± - 2 PLC ± - 3 PLC ± .008 4 PLC ± - ANGLES ± 1°		PRODUCT SPEC UL486A	RESTRICTED TO	
MATERIAL		APPLICATION SPEC 114-2157	SIZE A3	CAGE CODE 00779
FINISH		WEIGHT -	DRAWING NO C-320619	
CUSTOMER DRAWING			SCALE 8:1	SHEET 1 OF 1
			REV H	