

Datasheet**Mobile Industrial Socket-outlet**

Stock No:
2144215



Image for reference only

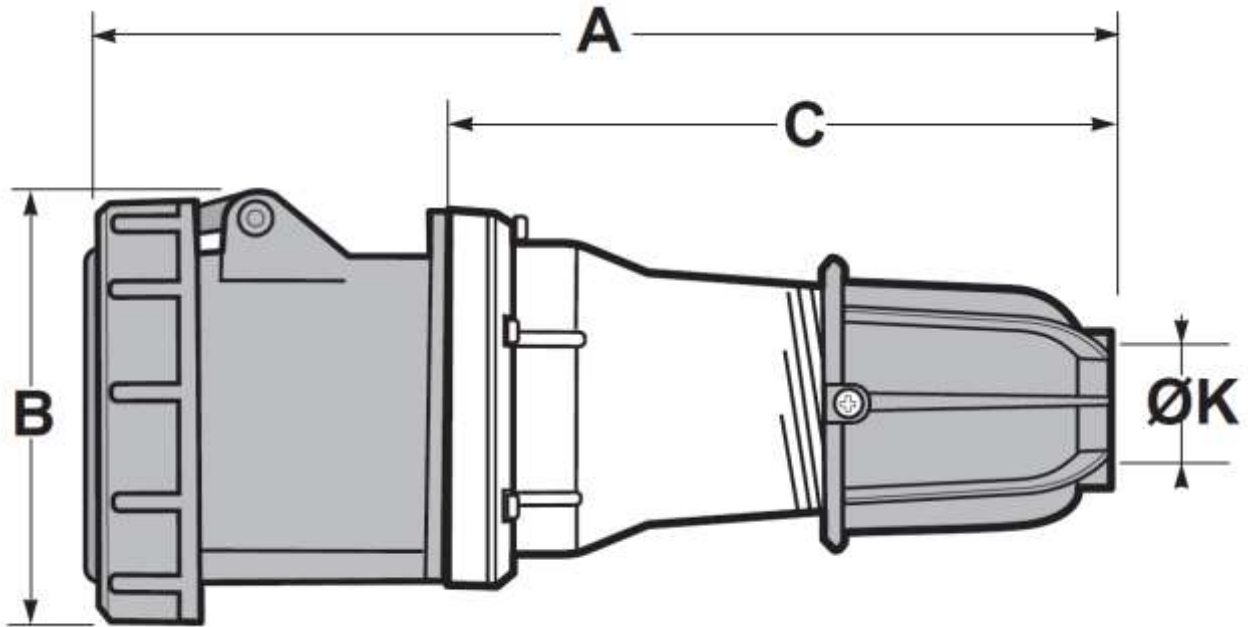
Technical Characteristics

| | |
|-----------------------|--|
| Rated Current: | 63 |
| Rated Voltage | 380-415 |
| Poles | 4P (3P+T) |
| Clock Position | 6h |
| Rated Frequency | 50/60Hz |
| Insulating Resistance | >10MΩ@500Vdc |
| Dielectric Stength | 2,5kV 60s |
| IP Protection Degree | IP67 (IEC / EN 60529) |
| Operating Temperature | -25°C/ 40°C |
| Glow Wire Test | 850°C live parts supports / 650°C other parts (IEC/EN 60695-2-10) |
| Material | Housing: PA6/ABS |
| Product Standard | IEC/EN 60309-1, IEC/EN 60309-2 |

Datasheet

Mobile Industrial Socket-outlet

Stock No: 24304-RSC



Dimensions in mm

| A | B | C | D | E | F | G | ØK |
|-----|-----|-----|---|---|---|---|---------|
| 260 | 110 | 175 | - | - | - | - | 14,5-34 |