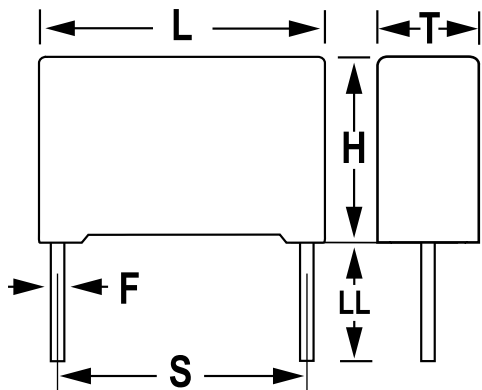


R46_275, Film, Metallized Polypropylene, Safety, 0.22 uF, 20%, 275 VAC (X2), 560 VDC, 110°C, Lead Spacing = 15mm



General Information	
Supplier:	KEMET
Series:	R46_275
Dielectric:	Metallized Polypropylene
Style:	Radial
Features:	EMI Safety
RoHS:	Yes
Lead:	Wire Leads
Qualifications:	ENEC, UL, cUL, CQC
AEC-Q200:	No
Notes:	We Recommended To Use R46 @ 310 VAC

Dimensions	
L	18mm +0.5mm
H	13.5mm +0.1mm
T	7.5mm +0.2mm
S	15mm +/-0.4mm
LL	30mm +5mm
F	0.6mm +/-0.05mm

Specifications	
Capacitance:	0.22 uF
Capacitance Tolerance:	20%
Voltage AC:	275 VAC (X2)
Voltage DC:	560 VDC
Temperature Range:	-40/+110°C
Rated Temperature:	110°C
Dissipation Factor:	0.10% 1kHz
Insulation Resistance:	100 GOhms
Max dV/dt:	400 V/us
Safety Class:	X2

Packaging Specifications	
Packaging:	Bulk, Bag
Packaging Quantity:	700