



Brand of NTN corporation

## Technical data

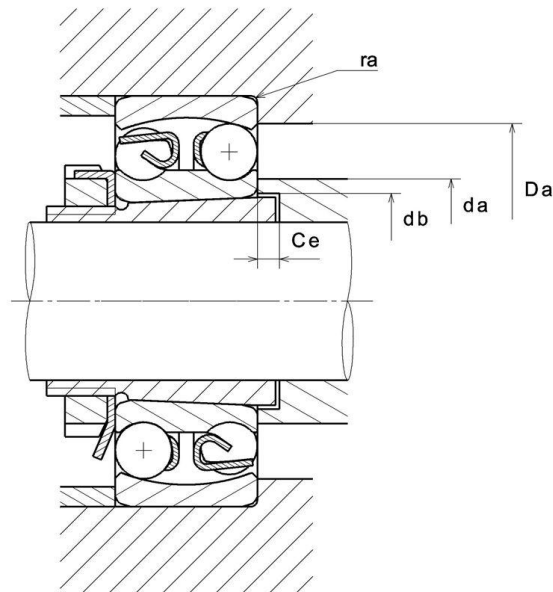
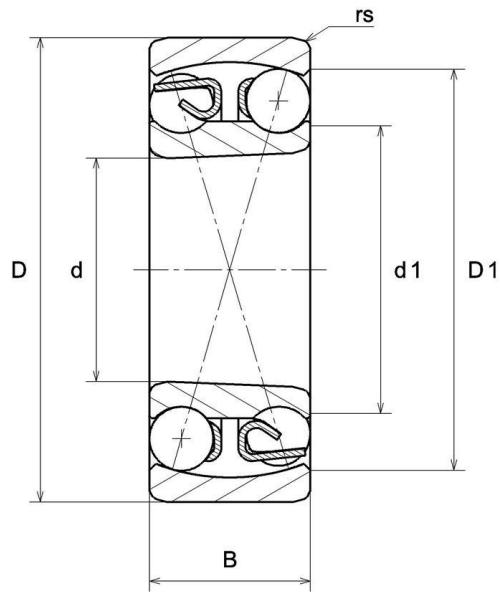
### 2209.KC3

Double-row self-aligning ball bearings



Self-aligning ball bearing, pressed steel cage, tapered bore, open

### VISUAL (S)



**NTN Europe**

1 rue des Usines · BP 2017 · 74010 Annecy Cedex · France · Tel. +33 (0)4 50 65 30 00  
S.A. au capital de 322 639 919 € · RCS ANNECY B 325 821 072 · Id. Fiscale : FR 48 325 821 072  
SIRET 325 821 072 00015 · Code APE 2815 Z · Code NACE 28.15

## PRODUCT DEFINITION

<b>Brand</b>	SNR
<b>d - Internal diameter</b>	45 mm
<b>D - External diameter</b>	85 mm
<b>B - Bearing/Inner ring width</b>	23 mm
<b>d1 - External diameter inner ring</b>	57,7 mm
<b>D1 - Inner diameter outer ring</b>	71,8 mm
<b>rs - Min fillet radius</b>	1,1 mm
<b>Associated sleeve reference</b>	H309
<b>Radial clearance class</b>	C3
<b>Precision class</b>	P0
<b>Mass</b>	0,55 kg

## PRODUCT PERFORMANCE

<b>C - Dynamic load</b>	23000000 mN
<b>C0 - Static load</b>	8200000 mN
<b>Cu - Fatigue limit load</b>	370000 mN
<b>e - Coefficient</b>	0.31
<b>Y0 - Static axial load coefficient</b>	2.16
<b>Y1 - Lower axial load coefficient</b>	2.06
<b>Y2 - Upper axial load coefficient</b>	3.19
<b>N ref - Reference thermal speed</b>	48600 °/s
<b>N lim - Mechanical Limit Speed</b>	60000 °/s
<b>Tmin - Min operating temperature</b>	233,15 °K
<b>Tmax - Max operating temperature</b>	393,15 °K



## BEARING FREQUENCIES

<b>BPFO - Over rolling frequency on outer ring (60 rpm)</b>	7.698 Hz
<b>BPFI - Over rolling frequency on inner (60 rpm)</b>	10.302 Hz
<b>BSF - Over rolling frequency on rolling element (60 rpm)</b>	6.63 Hz
<b>BRF - Rotational frequency - rolling element (60 rpm)</b>	3.315 Hz
<b>FTF - Rotational frequency - cage (60 rpm)</b>	0.428 Hz

## ABUTMENT

<b>da min - Min shoulder diameter IR</b>	51,5 mm
<b>da max - Max shoulder diameter IR</b>	56 mm
<b>db - Min diameter for Sleeve</b>	50 mm
<b>Ce - Min length fro Sleeve</b>	8 mm
<b>Da max - Max shoulder diameter OR</b>	78,5 mm
<b>ra max - Max shaft &amp; housing fillet radius</b>	1 mm

