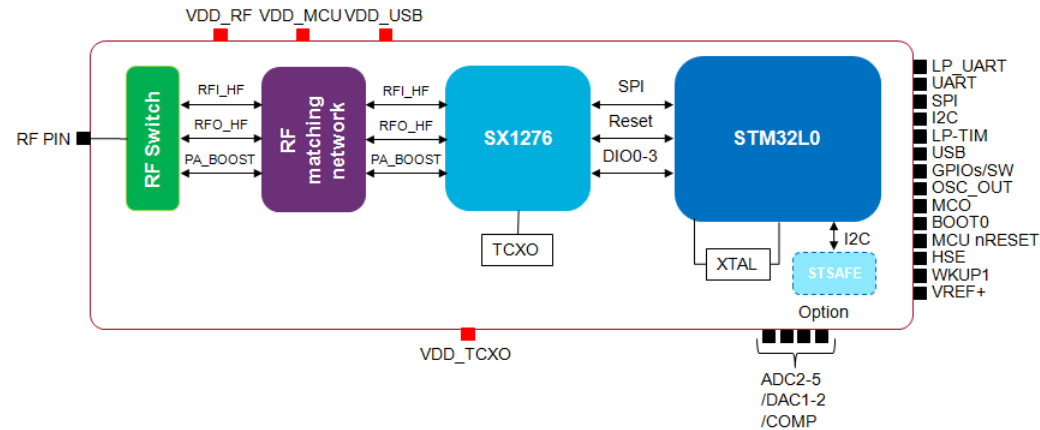


High band LoRa Module - CMWX1ZZABZ -

1. Features

- RF/BB Chipset : SX1276
- MCU Chipset : STM32L0 Series
- >CPU : Cortex M0+
- >RAM : 20KB
- >Flash : 192KB
- Peripheral Interfaces : UART/SPI/I2C/GPIOs/ADC
- Radio Certification (Plan) : FCC, IC, CE(R&TTE)
- Module Size : 12.5mm x 11.6mm x 1.76mm
- Package : Metal Shielding

Block Diagram



2. Characteristics

- Frequencies : EU / US / India / Pacific
- Operating Temp : -40 to +85 °C
- Supply Voltage : 2.2V – 3.6V
- RF Transmit Power : +14dBm / +20dBm (with PA boost)
- RF Sensitivity : -135dBm
- Frequency band : **860MHz-930MHz**

3. Target Markets

: Smart Meter, Tracking, M2M...

4. Schedule

- ES : Available
- MP : Available

