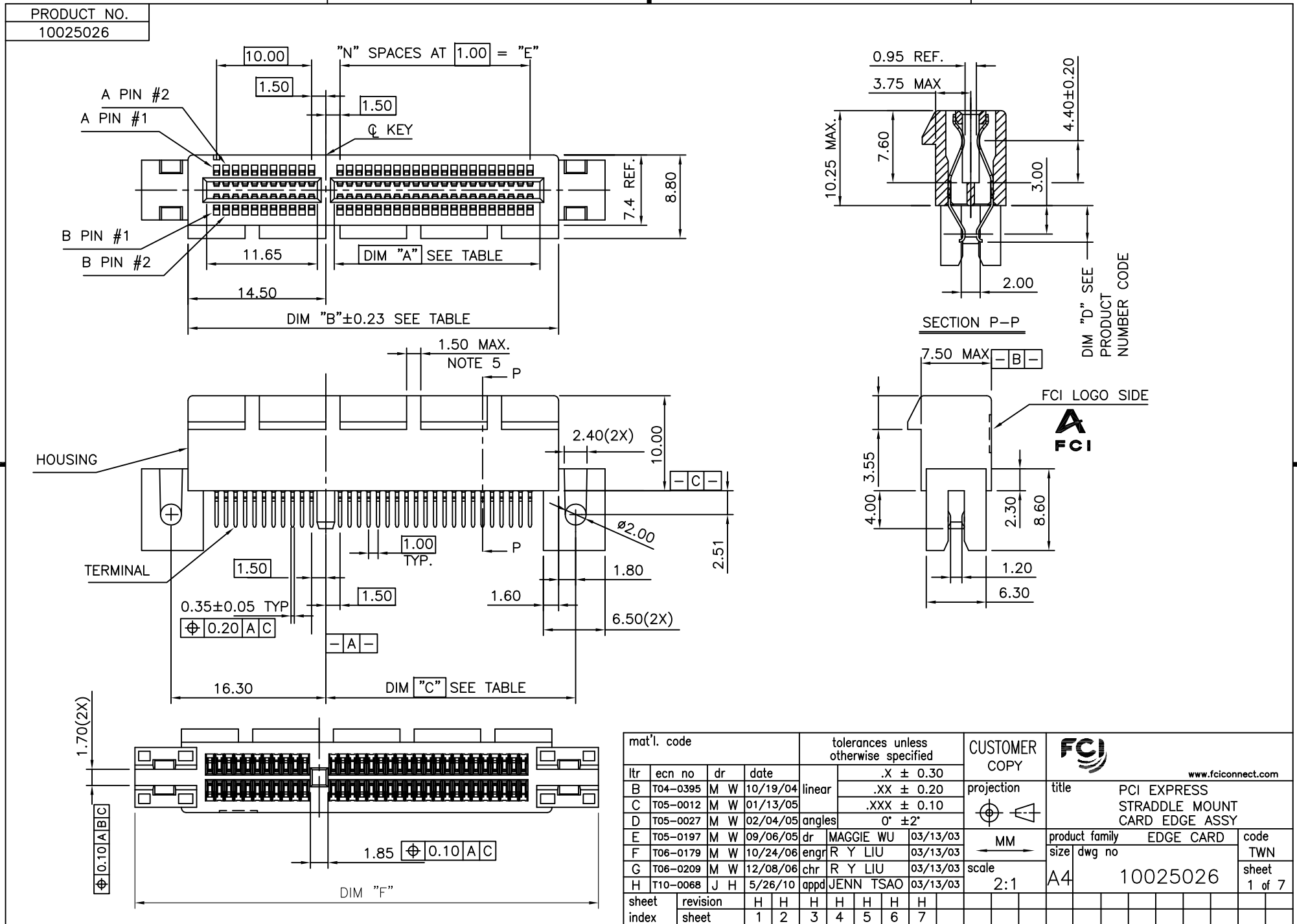


All rights strictly reserved. Reproduction or issue to third parties in any form whatever is not permitted without written authority from the proprietor. Property of FCI. Copyright FCI.



Tous droits strictement réservés. Reproduction ou communication a des tiers interdite sous quelque forme que ce soit sans autorisation écrite du propriétaire. Propriété de c FCI. Droits de reproduction FCI.



mat'l. code				tolerances unless otherwise specified				CUSTOMER COPY		FCI	
ltr	ecn no	dr	date	linear	.X ± 0.30		projection	www.fciconnect.com			
B	T04-0395	M	W 10/19/04		.XX ± 0.20			title	PCI EXPRESS STRADDLE MOUNT CARD EDGE ASSY		code
C	T05-0012	M	W 01/13/05		.XXX ± 0.10				product family	EDGE CARD	
D	T05-0027	M	W 02/04/05	angles	0° ± 2°		scale	A4	10025026	sheet	
E	T05-0197	M	W 09/06/05	dr	MAGGIE WU	03/13/03				MM	size
F	T06-0179	M	W 10/24/06	enr	R Y LIU	03/13/03	2:1				
G	T06-0209	M	W 12/08/06	chr	R Y LIU	03/13/03					
H	T10-0068	J	H 5/26/10	appd	JENN TSAO	03/13/03					
sheet index	revision	H	H	H	H	H	H				
	sheet	1	2	3	4	5	6	7			

Tous droits strictement reserves. Reproduction ou communication a des tiers interdite sous quelque forme que ce soit sans autorisation écrite du propriétaire. Propriete de c FCI. Droits de reproduction FCI.

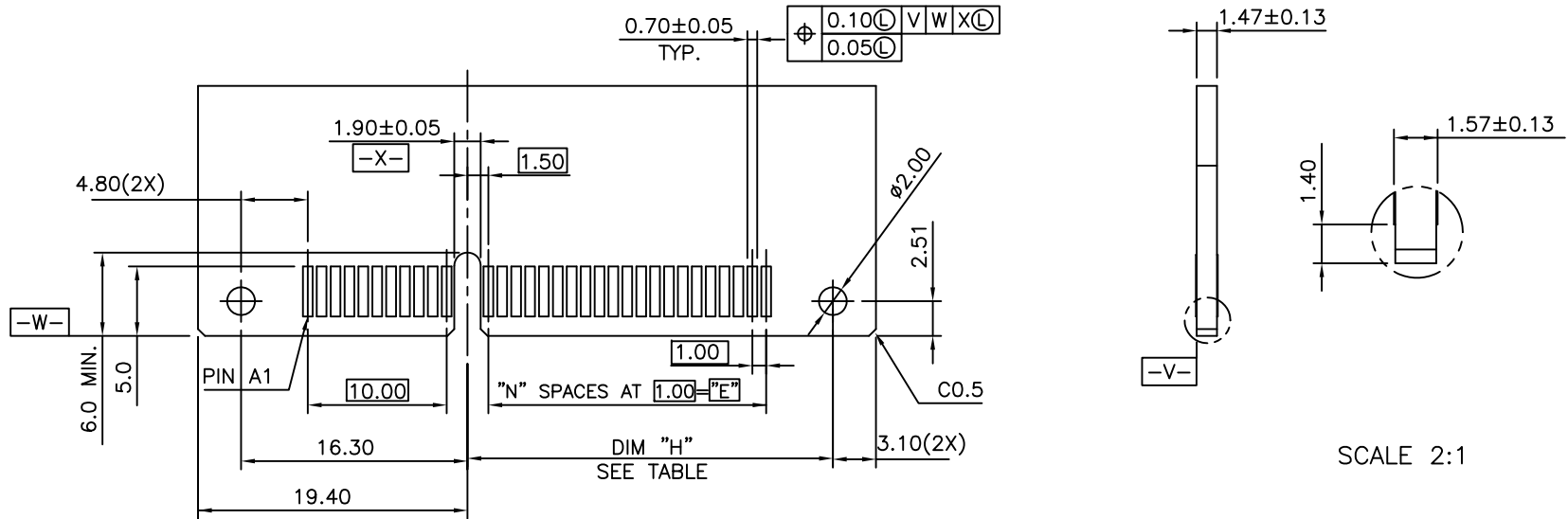
All rights strictly reserved. Reproduction or issue to third parties in any form whatever is not permitted without written authority from the proprietor. Property of FCI. Copyright FCI.



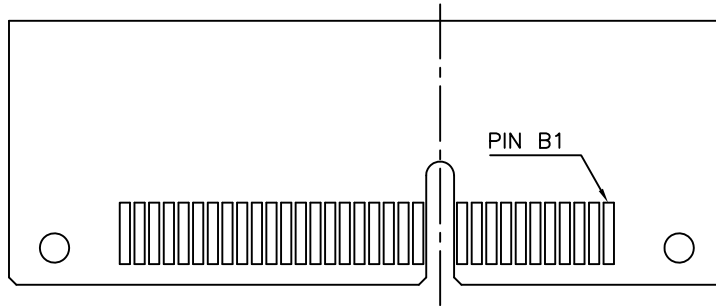
1 | 2

3 |

4



SCALE 2:1



RECOMMEND OF PCB DIMENSIONS

#	POS REF.	N	DIM "H"
36		6	12.30
64		20	26.30
98		37	43.30
164		70	76.30

CONFIDENTIAL

mat'l. code				tolerances unless otherwise specified		CUSTOMER COPY	 www.fciconnect.com			
ltr	ecn no	dr	date	linear	.X ± 0.30			 projection	title PCI EXPRESS STRADDLE MOUNT CARD EDGE ASS'Y	
H					.XX ± 0.20	 MM	product family EDGE CARD			code TWN
				angles	.XXX ± 0.10					
				dr	MAGGIE WU 03/13/03		10025026			
				enr	R Y LIU 03/13/03					
				chr	R Y LIU 03/13/03					
				appd	JENN TSAO 03/13/03					
sheet index	revision sheet									

1 | 2

3 |

4

ACAD

PDM: Rev:H

STATUS: Released

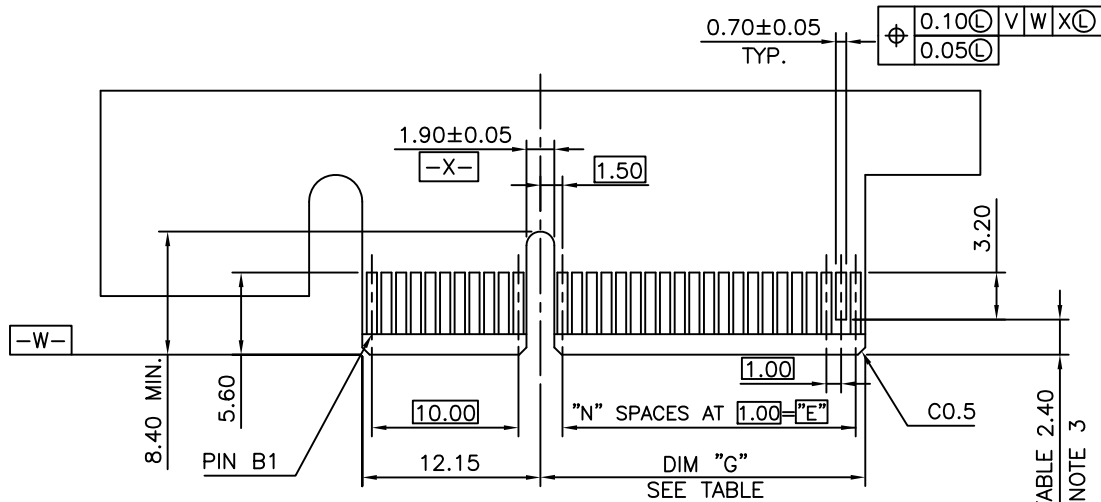
cage code
22526

Printed: Jun 28, 2010

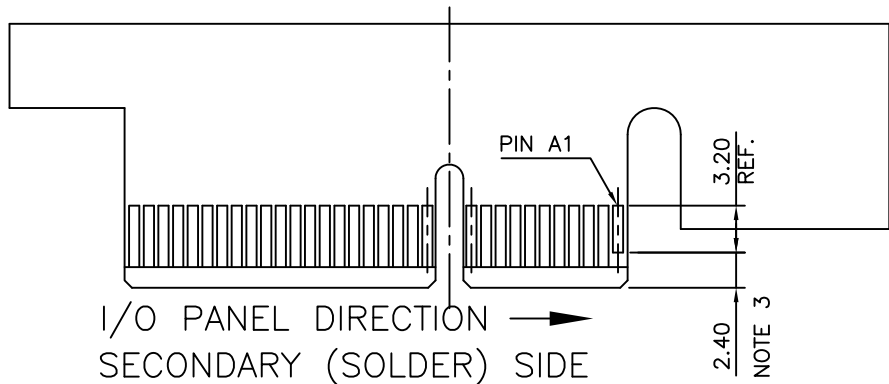
Tous droits strictement réservés. Reproduction ou communication a des tiers interdite sous quelque forme que ce soit sans autorisation écrite du propriétaire. Propriété de c FCI. Droits de reproduction FCI.



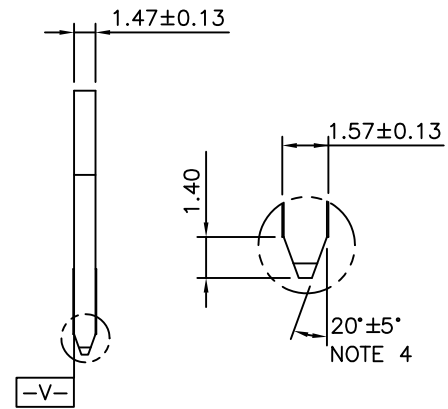
All rights strictly reserved. Reproduction or issue to third parties in any form whatever is not permitted without written authority from the proprietor. Property of FCI. Copyright FCI.



← I/O PANEL DIRECTION
PRIMARY (COMPONENT) SIDE



I/O PANEL DIRECTION →
SECONDARY (SOLDER) SIDE



SCALE 2:1

PIN "F" SEE TABLE 2.40
NOTE 3

ADD-IN CARD EDGE-FINGER DIMENSIONS

#	POS	REF.	N	DIM "G"	"F"
36	6		6	8.15	B17
64	20		20	22.15	B31
98	37		37	39.15	B48
164	70		70	72.15	B81

CONFIDENTIAL

mat'l. code				tolerances unless otherwise specified		CUSTOMER COPY	 www.fciconnect.com		
ltr	ecn no	dr	date	linear	.X ± 0.30	projection	title PCI EXPRESS STRADDLE MOUNT CARD EDGE ASS'Y		
H					.XX ± 0.20				
				angles	.XXX ± 0.10				
					0° ± 2°	 MM scale 2:1	product family	EDGE CARD	
				dr	MAGGIE WU		03/13/03	code	TWN
				enr	R Y LIU		03/13/03	size	dwg no
				chr	R Y LIU	03/13/03	A4	10025026	
				appd	JENN TSAO	03/13/03		sheet	
sheet index	revision sheet							3 of	

cage code
22526

ACAD

PDM: Rev:H

STATUS: Released

Printed: Jun 28, 2010

NOTES:

1.MATERIAL:

HOUSING: HIGH TEMPERATURE NYLON, GLASS FILLED UL94V-0 RATED.

TERMINAL: COPPER ALLOY

PLATING: 50u" NICKEL UNDERPLATE ALL OVER

CONTACT AREA PLATING - SEE PRODUCT NUMBER CODE

SOLDER TAIL: TIN OR TIN/LEAD (90/10) - SEE PRODUCT NO. CODE
100u" MIN. OVER 50u" NICKEL

METAL BOARD LOCKS: COPPER ALLOY

FINISH: 100u" TIN OR TIN/LEAD (90/10) OVER 50u" NICKEL UNDERPLATE
SEE PRODUCT NUMBER CODE

2.PRODUCT SPECIFICATION: GS-12-233

③NO TIE BAR PERMITTED FROM CARD EDGE TO LEADING EDGE OF PAD FOR PINS A1 AND PIN NUMBERS "F".

④CHAMFER EDGES MUST BE FREE OF CUTTING BURRS.

⑤FREQUENCY & LOCATION AT SUPPLIER DISCRETION. RIDGE MAY BE CONTINUOUS WITH NO BREAKS.

6.RoHS COMPATIBLE PRODUCT SPECIFICATIONS

a - PLATING:

- "LF" MEANS THE PRODUCT IS LEAD-FREE, 2um MINIMUM MATTE TIN OVER 1.27um MINIMUM NICKEL UNDERPLATE.

b - MANUFACTURING PROCESS COMPATIBILITY

- THE HOUSING WILL WITHSTAND EXPOSURE TO 260°C±5°C SOLDER BATH TEMPERATURE FOR 5 SECONDS IN A REFLOW SOLDER APPLICATION WITH A 1.6mm MIN THICK CIRCUIT BOARD.

CONNECTOR	# POS	REF.	N	DIM "A"	DIM "B"	DIM "C"	"E"	"F"
1 PORT	36		6	7.65	25.00	12.30	6.00	34.8
4 PORT	64		20	21.65	39.00	26.30	20.00	48.8
8 PORT	98		37	38.65	56.00	43.30	37.00	65.8
16 PORT	164		70	71.65	89.00	76.30	70.00	98.8

PRODUCT NUMBER CODE

10025026 -X 0 X 0 X T □ □

HOUSING COLOR OPTIONS

- 0-NATURAL
- 1-BLACK

RESERVE

LEAD FREE OPTIEON

LEAVE BLANK FOR TERMINAL PLATING 3,4,5
"LF" FOR TERMINAL PLATING OPTION 0,1,2

PACKAGING OPTIONS

- T: TRAY PACKAGING
- C: TAPE & REEL WITH INSERT CAP (FOR 98P ONLY)

POS OPTIONS

- 0-36
- 1-64
- 2-98
- 3-164

TERMINAL PLATING OPTIONS

- 0-50u" Ni UNDERPLATE
30u" Au CONTACT AREA
100u" TIN TAIL AREA ----- COMPATIBLE RoHS
- 1-50u" Ni UNDERPLATE
15u" Au CONTACT AREA
100u" TIN TAIL AREA ----- COMPATIBLE RoHS
- 2-50u" Ni UNDERPLATE
GOLD FLASH CONTACT AREA
100u" TIN TAIL AREA ----- COMPATIBLE RoHS
- 3-50u" Ni UNDERPLATE
30u" Au CONTACT AREA
100u" TIN/LEAD TAIL AREA ----- INCOMPLIANT RoHS
- 4-50u" Ni UNDERPLATE
15u" Au CONTACT AREA
100u" TIN/LEAD TAIL AREA ----- INCOMPLIANT RoHS
- 5-50u" Ni UNDERPLATE
GOLD FLASH CONTACT AREA
100u" TIN/LEAD TAIL AREA ----- INCOMPLIANT RoHS

TAIL LENGTH OPTIONS

DIM "D"	PCB THICKNESS
3.85 +0.25 -0.13	1.56

CONFIDENTIAL

mat'l. code				tolerances unless otherwise specified		CUSTOMER COPY	FCJ		
ltr	ecn no	dr	date	linear	.X ± 0.30	projection MM	www.fciconnect.com		
H					.XX ± 0.20		title PCI EXPRESS STRADDLE MOUNT CARD EDGE ASS'Y	product family EDGE CARD	
				angles	.XXX ± 0.10			code TWN	size sheet
				dr	0° ±2°	scale 1:1	A4	10025026	4 of
sheet index	revision sheet			enrg	MAGGIE WU 03/13/03				
				chr	R Y LIU 03/13/03				
				appd	JENN TSAO 03/13/03				



A

A

B

B

Tous droits strictement reserves. Reproduction ou communication a des tiers interdite sous quelque forme que ce soit sans autorisation écrite du propriétaire. Propriete de c FCI. Droits de reproduction FCI.



All rights strictly reserved. Reproduction or issue to third parties in any form whatever is not permitted without written authority from the proprietor. Property of FCI. Copyright FCI.

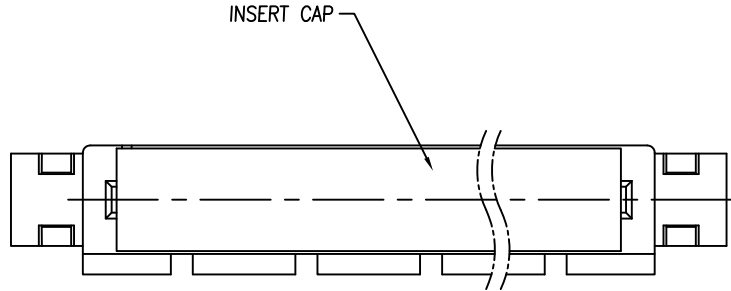
1 | 2

3

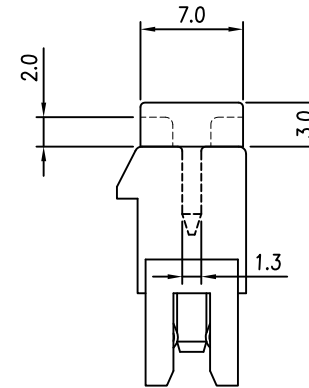
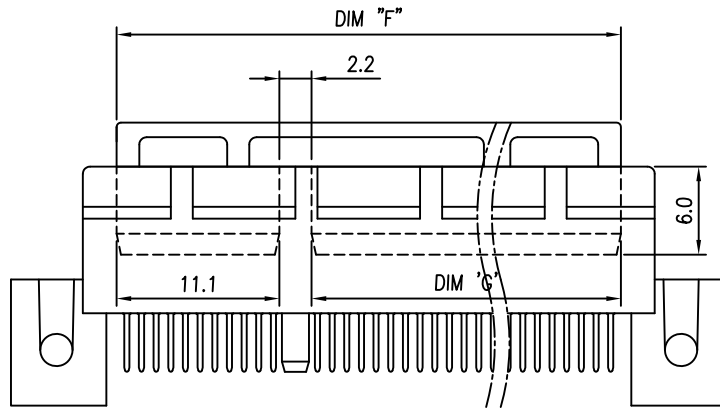
4

NOTES:

- MATERIAL:
INSERT CAP: THERMOPLASTIC LCP OR PA9T,
UL94V-0; BLACK COLOR.
- THIS IS AVAILABLE FOR 8X PCI-E ONLY.
P/N: 10025026-XXXX2CLF.



DIMENSIONS			
POSITION	F	G	STATUS
36	20.4	7.1	N/A
64	34.4	21.1	N/A
98	51.4	38.1	AVAILABLE
164	84.4	71.1	N/A



mat'l. code				tolerances unless otherwise specified			CUSTOMER COPY		 www.fciconnect.com	
ltr	ecn no	dr	date	linear	.X ± 0.30		projection	title PCI EXPRESS STRADDLE MOUNT CARD EDGE ASSY		
H					.XX ± 0.20					
					.XXX ± 0.10					
				angles	0° ± 2°		 MM	product family EDGE CARD		code
				dr	MAGGIE WU	03/13/03		size dwg no		TWN
				enr	RY LIU	03/13/03	scale	A4		sheet
				chr	RY LIU	03/13/03		N/A		5 of
				appd	JENN TSAO	03/13/03				
sheet index	revision sheet									

1 | 2

3

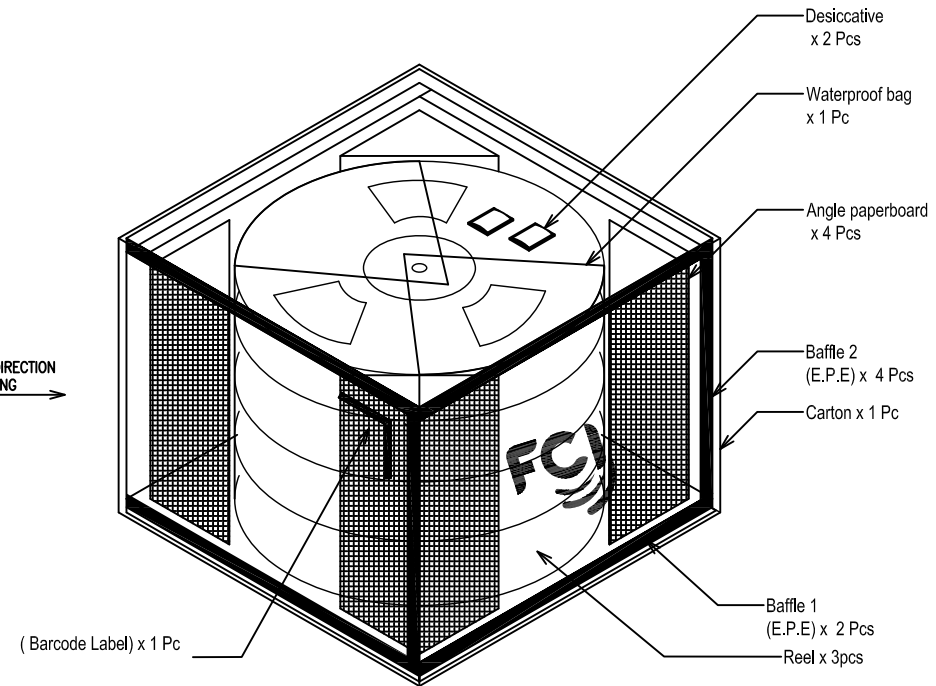
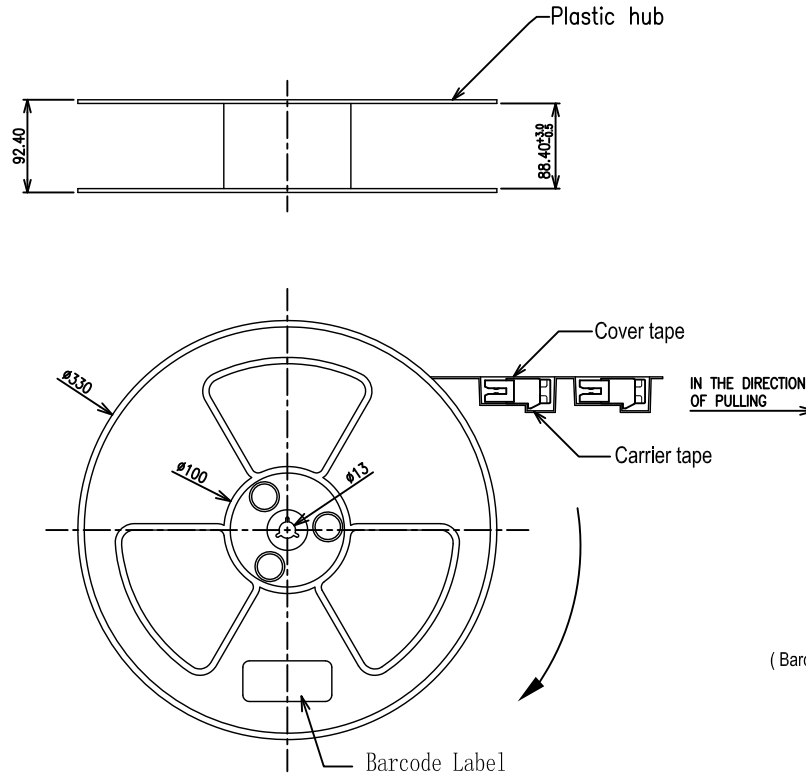
4

NOTE:

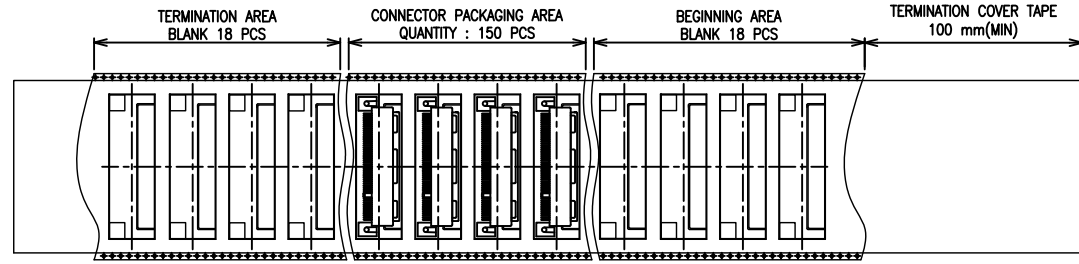
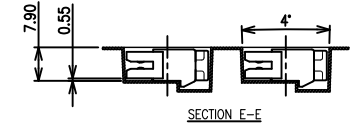
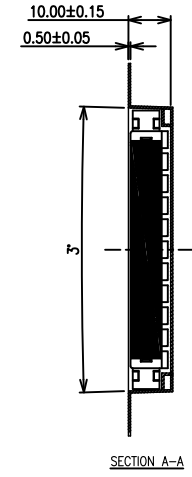
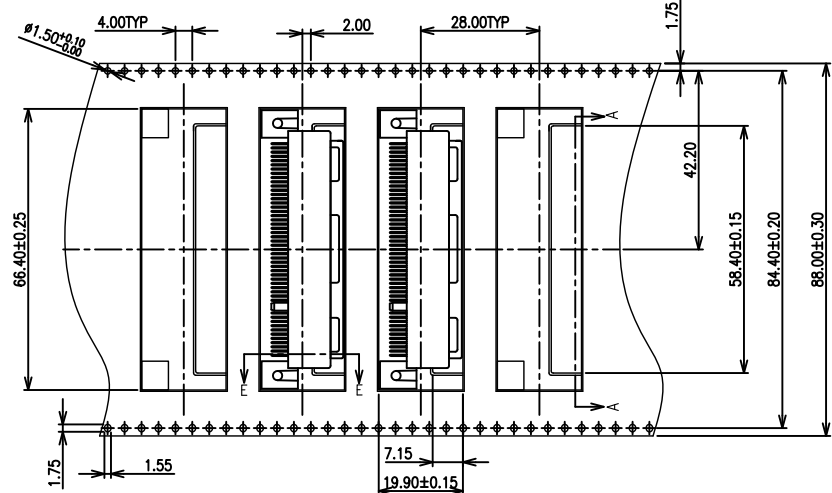
1. REEL MATERIAL : PS, BLACK
2. CARRIER MATERIAL : PS
3. COVER TAPE MATERIAL : PS
4. COVER TAPE REEL STRENGTH : 13"
5. QUANTITY : 150 PCS/REEL
6. Carton : 380(L) * 380(W) * 300(H) mm

Part No	
10025026-XXXXC(LF)	

NO. OF CONTACTS	98
REEL/CARTON	3
PCS/REEL	150
QUANTITY(PCS)	450



mat'l. code				tolerances unless otherwise specified			CUSTOMER COPY		 www.fciconnect.com	
ltr	ecn no	dr	date	linear	.X ± 0.38		projection	 title PCI EXPRESS STRADDLE MOUNT CARD EDGE ASSY		
H					.XX ± 0.25					
					.XXX ± 0.10					
				angles	0° ± 2°		 scale N/A	product family PCI		code TWN
				dr	MAGGIE WU	03/13/03		size dwg no		sheet 6 of
				enr	RY LIU	03/13/03		10025026		
				chr	RY LIU	03/13/03				
				appd	RY LIU	03/13/03				
sheet index	revision sheet									



mat'l. code				tolerances unless otherwise specified			CUSTOMER COPY		 www.fciconnect.com		
ltr	ecn no	dr	date	linear	.X ± 0.38		projection	 title PCI EXPRESS STRADDLE MOUNT CARD EDGE ASSY			
H					.XX ± 0.25						
					.XXX ± 0.10						
				angles	0° ± 2°		 MM	product family PCI		code TWN	
				dr	MAGGIE WU	03/13/03		scale N/A	size dwg no		sheet 7 of
				enr	RY LIU	03/13/03			A4	10025026	
				chr	RY LIU	03/13/03					
				appd	RY LIU	03/13/03					
sheet index	revision sheet										