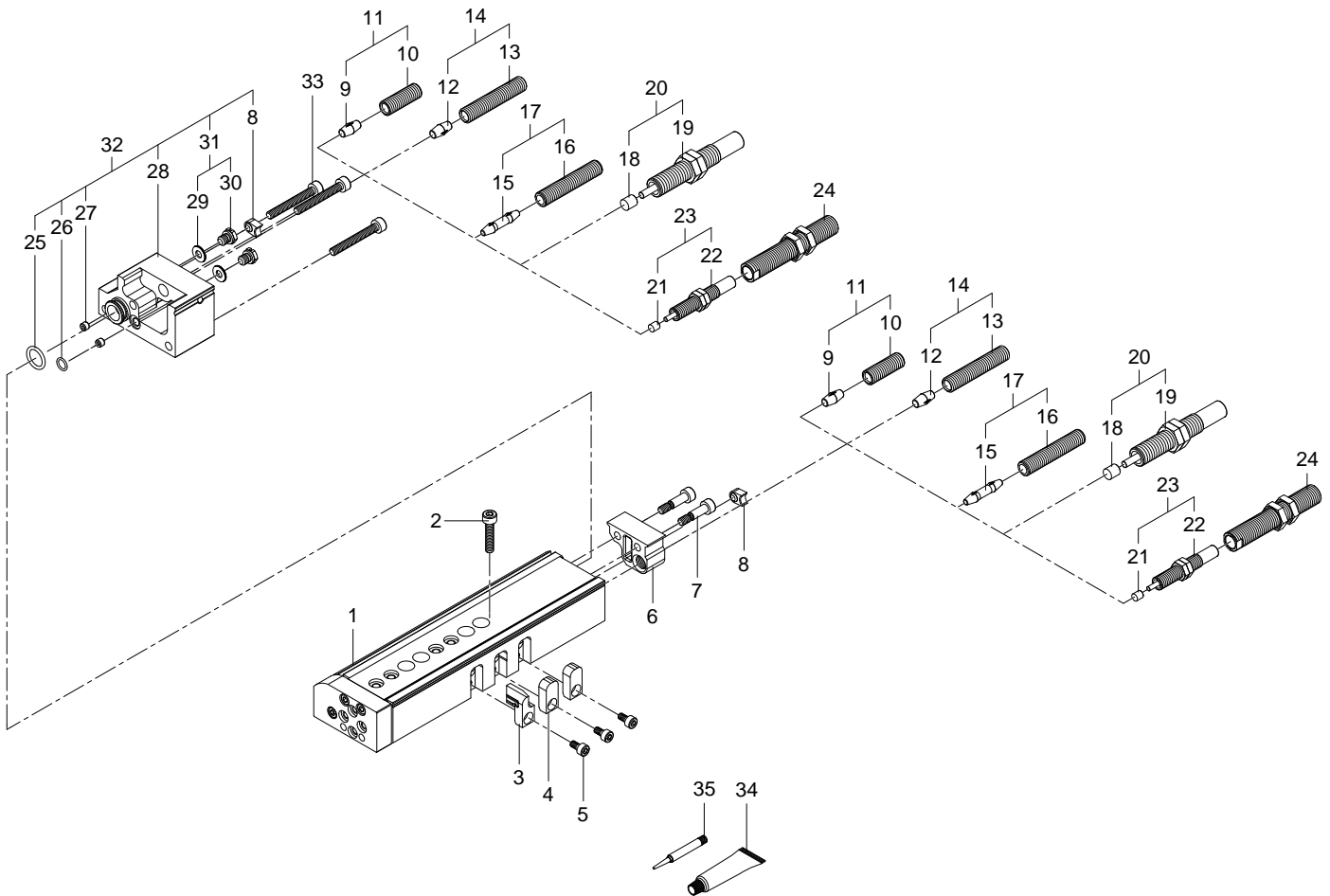


543980 DGSL-12-80-Y3A Mini slide - Series till 08-2022

DGSL-12-80-PA/P1A/EA/Y3/Y11



543980 DGSL-12-80-Y3A Mini slide - Series till 08-2022

DGSL-12-80-PA/P1A/EA/Y3/Y11

Pos.	Part no.	Type	Note	Qty.	Unit
A	713747	DGSL-12-...- Set of wearing parts	Spare parts: 2, 9, 12, 15, 18, 21, 25, 26, 29, 34, 35	1	PC
1		DGSL-12-80 Guide module	Not available	1	PC
2	200675	ISO 4762-M5X30-8.8 Socket head screw		1	PC
3	686786	DGSL-12 Stop		1	PC
4	686802	DGSL-12 Covering		2	PC
5	209537	ISO 4762-M4X8-8.8 Socket head screw	Tightening torque 2.9 Nm / 2.1 lbf ft	3	PC
6	8145638	DGSL-12 Moment compensator		1	PC
7		ISO 4762-M4X16-10.9 Socket head screw	Not available Tightening torque 3.6 Nm / 2.7 lbf ft	2	PC
8	699255	DGSL-12 Clamping component	Use locking compound. See position 35	2	PC
9	371075	7,5X9,0 Buffer element		2	PC
10		DYEF-S-M10-Y1 adjustment sleeve	Not available separately, see position 11	2	PC
11	1152959	DYEF-S-M10-Y1 Shock absorber	shock absorber -E	2	PC
12	371075	7,5X9,0 Buffer element		2	PC
13		DGSL-12-P adjustment sleeve	Not available separately, see position 14	2	PC
14	1179837	DYEF-M10-Y1 Shock absorber	shock absorber -P	2	PC
15	683974	DGSL-12/16/20-PFJ Buffer		2	PC
16		DGSL-12-P1 adjustment sleeve	Not available separately, see position 17	2	PC
17	548374	DYEF-M10-Y1F Shock absorber	shock absorber -P1	2	PC
18	710133	DYSC-7-5-Y1F Buffer		2	PC
19		DYSW-7-10-Y1F Shock absorber	Not available separately, see position 20	2	PC
20	548072	DYSW-7-10-Y1F Shock absorber	shock absorber -Y3	2	PC
21	707464	DYSC/W-5- Buffer		2	PC
22		DYSW-5-8-Y1F Shock absorber	Not available separately, see position 23	2	PC
23	548071	DYSW-5-8-Y1F Shock absorber	Attention, please order position 24 as well shock absorber -Y3	2	PC
24	1165480	DAYH-5 reducing sleeve	Attention, please order position 23 as well shock absorber -Y11	2	PC
25		B-14X1-N-NBR75 O-ring ISO3601	Not available separately, see position A Grease using during assembly. See position 34	1	PC
26		B-5X1,5-N-NBR75 O-ring ISO3601	Not available separately, see position A Grease using during assembly. See position 34	1	PC

Pos.	Part no.	Type	Note	Qty.	Unit
27		DGSL-12 Flow control plate	Not available separately, see position 32	2	PC
28		DGSL-12 Connection cap	Not available separately, see position 32	1	PC
29		OK-M5 Sealing ring	Not available separately, see position A	2	PC
30		B-M5 B Plug screw	Not available separately, see position 31 Tightening torque 2 Nm / 1.5 lbf ft	2	PC
31	712005	B-M5-B-OK Blanking plug		2	PC
32	714231	DGSL-12-...-ET Connection cover module		1	PC
33	200666	ISO 4762-M4X30-8.8 Socket head screw	Tightening torque 2.3 Nm / 1.7 lbf ft Use locking compound. See position 35	3	PC
34	684474	LUB-KC1 SILIKONFREI 20ML Lubricating grease		1	PC
35	8181256	CYBERBOND TM44 TB1ML Adhesive bonding agent		1	PC