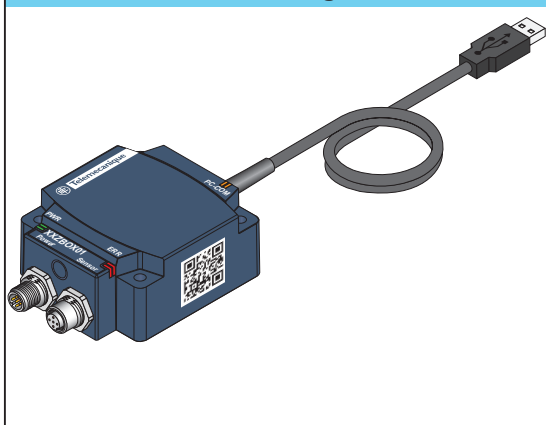
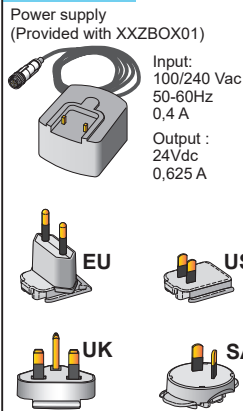


**Ultrasonic sensors configuration interface**



**Accessories**



**Note:** you can download this Instruction Sheet in different languages from our website at: [www.tesensors.com](http://www.tesensors.com)

- en
- es
- fr
- it
- de
- zh

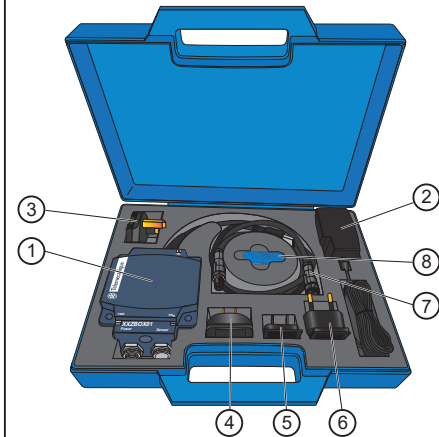
Or you can flash this Qr-code to access this Instruction Sheet



<http://qr.tesensors.com/XX0002>

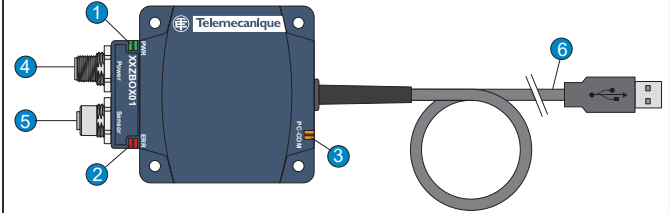
We welcome your comments about this document. You can reach us by e-mail at: [customer-support@tesensors.com](mailto:customer-support@tesensors.com)

**Kit XXZKIT01**



- ① Configuration interface XXZBOX01
- ② Power Supply
- ③ UK Adapter
- ④ SAA Adapter
- ⑤ US Adapter
- ⑥ EU Adapter
- ⑦ Cable with connectors M12 - 5 pins male / female
- ⑧ USB Flash Drive (USB Key):
  - Software
  - ReadMe
  - Instruction Sheet
  - Tutorial
  - XX Catalog

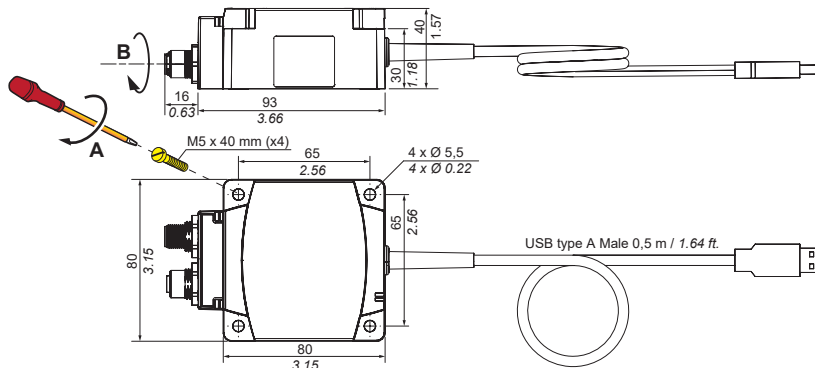
**Description**



①	Green LED: Power
②	Red LED: Error
③	Orange LED: connection to PC
④	Male M12 connector, 5 pins: Power supply
⑤	Female M12 connector, 5 pins: Sensor
⑥	USB cable male - A type - 0,5m length: PC

**Dimensions**

A ≤ 3,6 Nm / 31.9 lbf.in  
 B ≤ 1,5 N.m (13.3 lb-in)

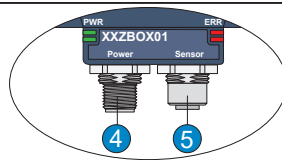


**Note:** The information provided in this documentation contains general descriptions and/or technical characteristics of the performance of the products contained herein. This documentation is not intended as a substitute for and is not to be used for determining suitability or reliability of these products for specific user applications. It is the duty of any such user or integrator to perform the appropriate and complete risk analysis, evaluation and testing of the products with respect to the relevant specific application or use thereof. Neither Schneider Electric nor any of its affiliates or subsidiaries shall be responsible or liable for misuse of the information contained herein.

**Connectors wiring**

④ Box connector for Power supply adaptor (M12 male)

Wire color	
1	Brown +14...30 Vdc
2	White Output 2 (1) (2)
3	Blue 0 Vdc
4	Black Output 1 (1)
5	- Not Used (4)



⑤ Box connector for sensor (M12 female)

1	Power out to sensor
2	Software communication (3)
3	0 Vdc
4	Software communication (3)
5	Not Used (4)



- (1): Output is active only during the Echo display mode & Measure mode.
- (2): Output 2 not available on all sensors.
- (3): Do not use XXZPB100 pushbutton accessory together with the Box.
- (4): The 5th pins of the M12 male & M12 female connectors are electrically connected to one another.

**CAUTION**

**UNINTENDED EQUIPMENT OPERATION**

When the Box is not connected to the software, the pins of the male and female connectors are electrically connected  
**Failure to follow these instructions can result in injury or equipment damage.**

Electrical equipment should be installed, operated, serviced, and maintained only by qualified personnel. No responsibility is assumed by Schneider Electric for any consequences arising out of the use of this material.

© 2018 Schneider Electric. "All Rights Reserved."

**Application**

Procedure for inter-device connection (XX ultrasonic sensor, Box, PC)

**WARNING**

**UNINTENDED EQUIPMENT OPERATION**

Before all configuration, make sure the equipment is not in operation and pay attention to the connections between the equipments.

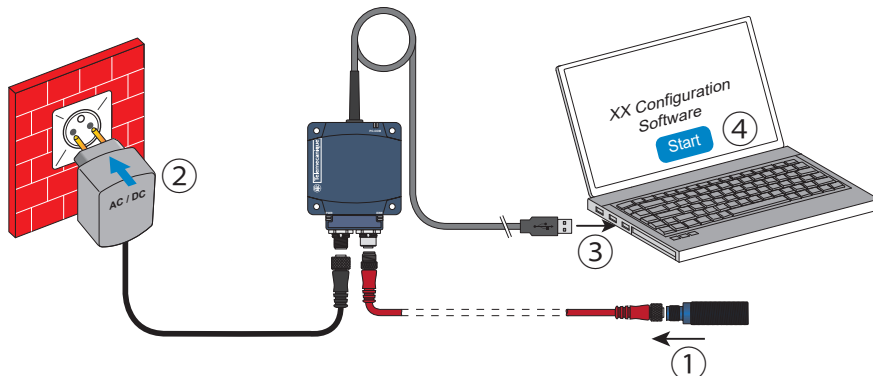
**Failure to follow these instructions can result in death, serious injury, or equipment damage.**

**Connection in configuration mode**

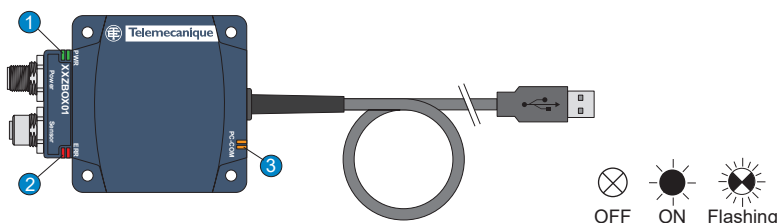
This type of connection is useful for performing configuration upload from PC to the sensor and performing configuration download from the sensor to the PC. In this connection, an external power supply (110-240 Vac) is required.

Steps to connect the sensor to a PC via the Box:

- ① : Connect the sensor to the Box via the sensor M12 connector with the appropriate M12-M12 cable (< 3m).
  - ② : Power on the Box through the power supply adaptor (converts 110-240 Vac to 24 Vdc), the power LED of the Box turns green.
- Note: Use only the power supply adaptor supplied with the interface Box.*
- ③ : Connect the Box to the PC using the USB cable.
  - ④ : Run the XX Configuration Software on the PC.



**LEDs States**



LED	Name	LED State	Description	Connecting box state	User attempted action	
①	PWR		GN	Not powered or default on power supply		Power the box or verify power supply
			GN	Box powered	OK: no power problem	Chose communication mode to use (configuration mode / Echo display mode)
②	ERR		RD	No error detected	OK	
			RD	Default on sensor power / overload	Box simulated output overload detected	Stop running action and verify cabling and load
			RD	Default of communication during Echo display or Measure mode	Incorrect communication data	Verify cabling between elements (sensor, box and PC)
③	PC-COM		OR	Communication not in progress	Waiting for communication with PC software	Plug PC / connect the sensor from GUI
			OR	Communication in progress	PC linked to sensor (configuration mode or Echo display mode)	Wait for end of configuration process and disconnect from GUI

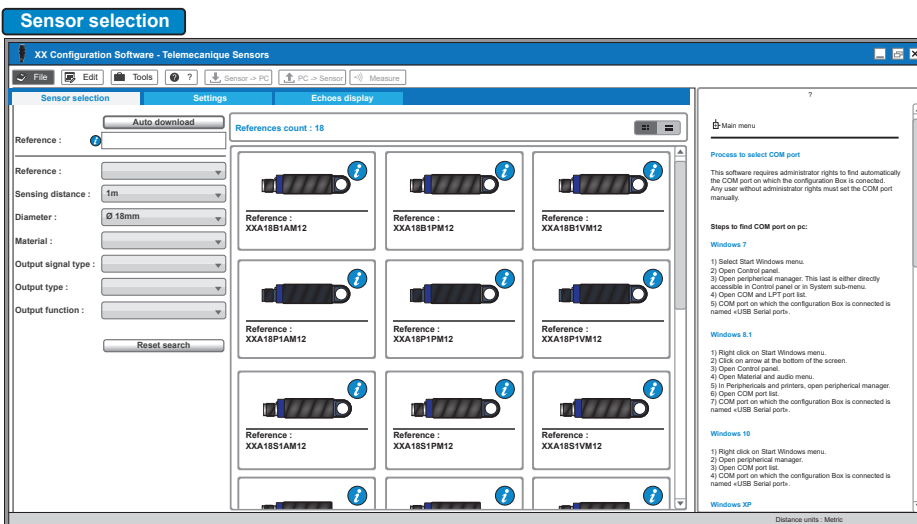
**Configuration Software Use for ultrasonic Sensors**

The configuration software can be installed using the version included on the USB stick or downloading the online version from our website at : [www.tesensors.com](http://www.tesensors.com)

This interface Box can be used to configure only specific configurable models of the OsiSense XX ultrasonic sensors (XXS● & XXA●) from "Telemecanique sensors". Please refer to our website for more information.

**Off-line configuration:**

- 1) Run "XX Configuration Software" on the PC.
- 2) Select the sensor reference from the "Sensor selection" tab.
- 3) Configure the sensor through the "Teach method settings", "Output Settings" & "Detection Settings".
- 4) Save & take print out of the configuration.
- 5) To upload the configuration to the sensor, see On-line configuration.



**On-line configuration:**

- 1) Connect the sensor to the PC via the XX Configuration Box (see **Connection in configuration mode**).
- 2) Run "XX Configuration Software" on the PC.
- 3) Click "Auto-download" from the "Sensor selection" tab.

**Detection settings**

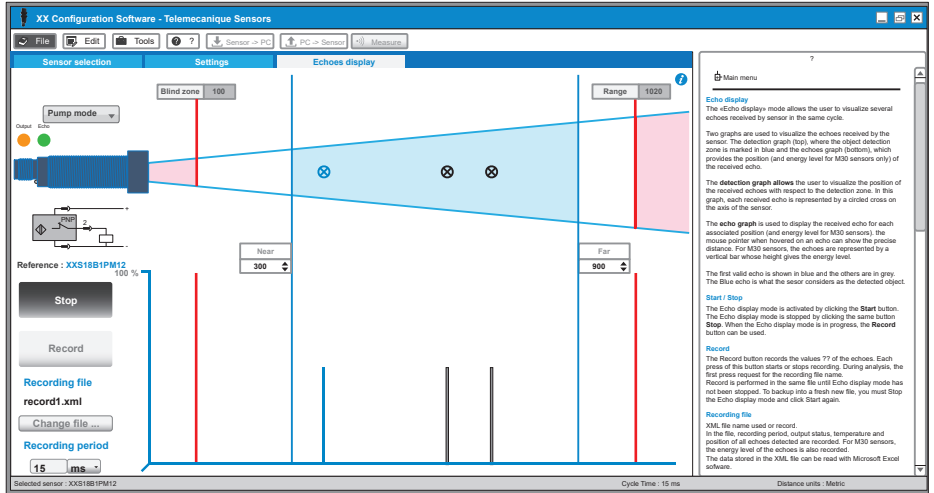
**Output settings**

**Teach method settings**

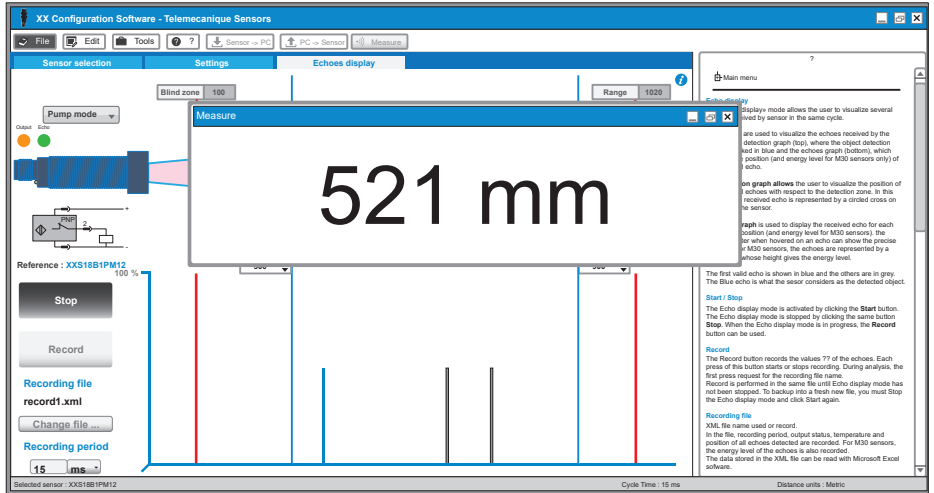
- 4) Configure the sensor through the "Teach method settings", "Output Settings" & "Detection Settings" or open the pre-saved configuration file.
- 5) Upload the new configuration to the sensor.
- 6) Save and/or take print out of the configuration.
- 7) Verify performance of the sensor through the Echo display mode & Measure.

In order to optimize sensor "Echo display mode" and "Measure mode" allows the visualization of sensor information in real time.

**Echo display mode**



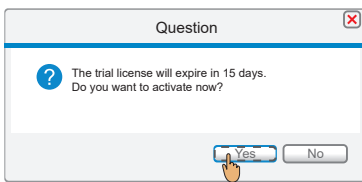
**Measure**



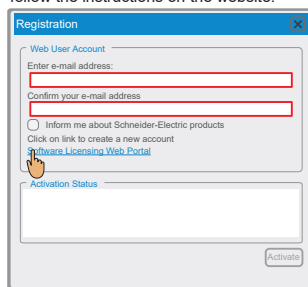
**Software registration process**

**1 Registration process when connected to the Internet**

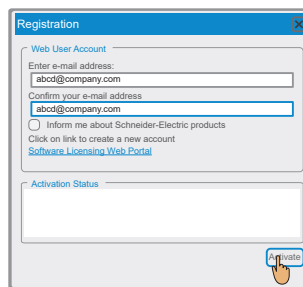
**Step 1:** Click "Activate now" on the pop-up when software is launched.



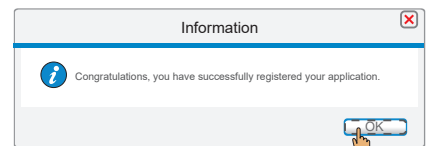
**Step 2:** If already registered on the Software Licensing Web Portal, proceed to Step 3. If not already registered, click on the link to register your email address and follow the instructions on the website.



**Step 3:** Enter your registered email address and click Activate.

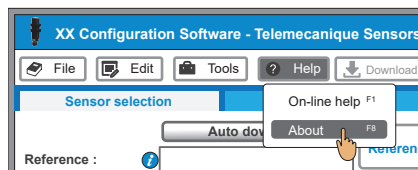


The software is now registered & ready to use.

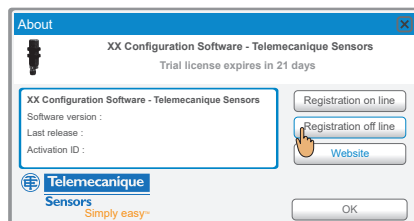


**2 Registration process offline**

**Step 1:** After the software is launched, go to 'Help' on the menu-bar and click 'About'.



**Step 2:** Click 'Registration offline'. This action will launch the program 'Schneider Electric License Manager'.



**Step 3:** Select the preferred Activation Method and follow the instructions to complete the registration process.

