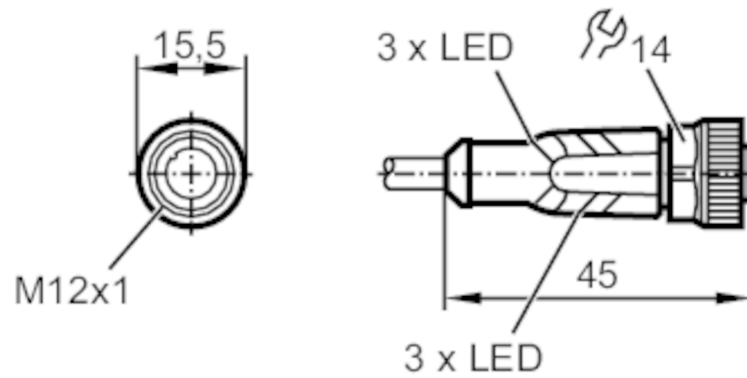


# EVW169



## Connecting cable with socket

ADOGH046SCS0010T04



### Application

Application	welding applications
Free from silicone	yes

### Electrical data

Operating voltage [V]	10...36 DC
Protection class	II
Max. current load total [A]	4

### Outputs

Electrical design	PNP
-------------------	-----

### Operating conditions

Ambient temperature [°C]	-25...90
Note on ambient temperature	cULus: ...75
Ambient temperature (moving) [°C]	-25...90
Note on ambient temperature (moving)	cULus: ...75
Protection	IP 65; IP 67; IP 68; IP 69K

# EVW169



## Connecting cable with socket

ADOGH046SCS0010T04

Mechanical data				
Weight	[g]	357.6		
Dimensions	[mm]	15.5 x 15.5 x 45		
Materials		housing: TPU black transparent; Sealing: FKM		
Material nut		brass		
Drag chain suitability	bending radius for flexible use	min. 10 x cable diameter		
	travel speed	max. 3.3 m/s for a horizontal travel length of 5 m and max. acceleration of 5 m/s <sup>2</sup>		
	bending cycles		> 2 Mio.	
	torsional strain		± 180 °/m	

Displays / operating elements		
Display	switching status	4 x LED, yellow
	operation	2 x LED, green

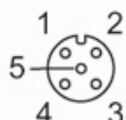
Remarks	
Pack quantity	1 pcs.

**Electrical connection**

Cable: 10 m, PUR, Halogen-free, grey, Ø 4.9 mm; not irradiated (can be recycled); 4 x 0.34 mm<sup>2</sup> (42 x Ø 0.1 mm )

Cable: 10 m, PUR, Halogen-free, grey, Ø 4.9 mm; resistant to welding sparks; 4 x 0.34 mm<sup>2</sup> (42 x Ø 0.1 mm )

Connector: 1 x M12, straight; Locking: , brass, anti-spatter; Kontakte: gold-plated; Tightening torque: 0.6...1.5



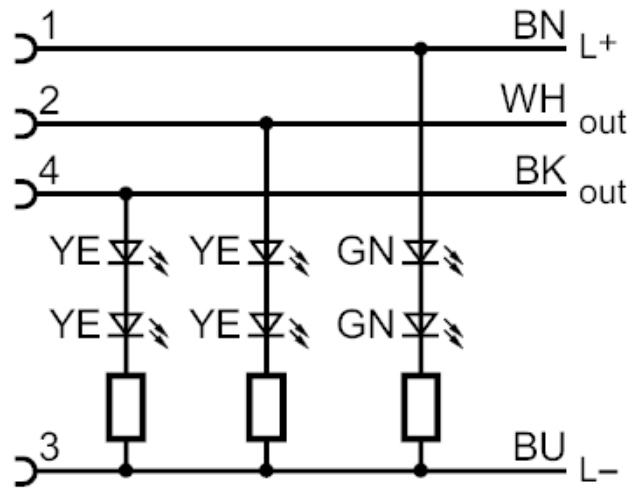
# EVW169



## Connecting cable with socket

ADOGH046SCS0010T04

### Connection



Core colours :

BK =	black
BN =	brown
BU =	blue
WH =	white