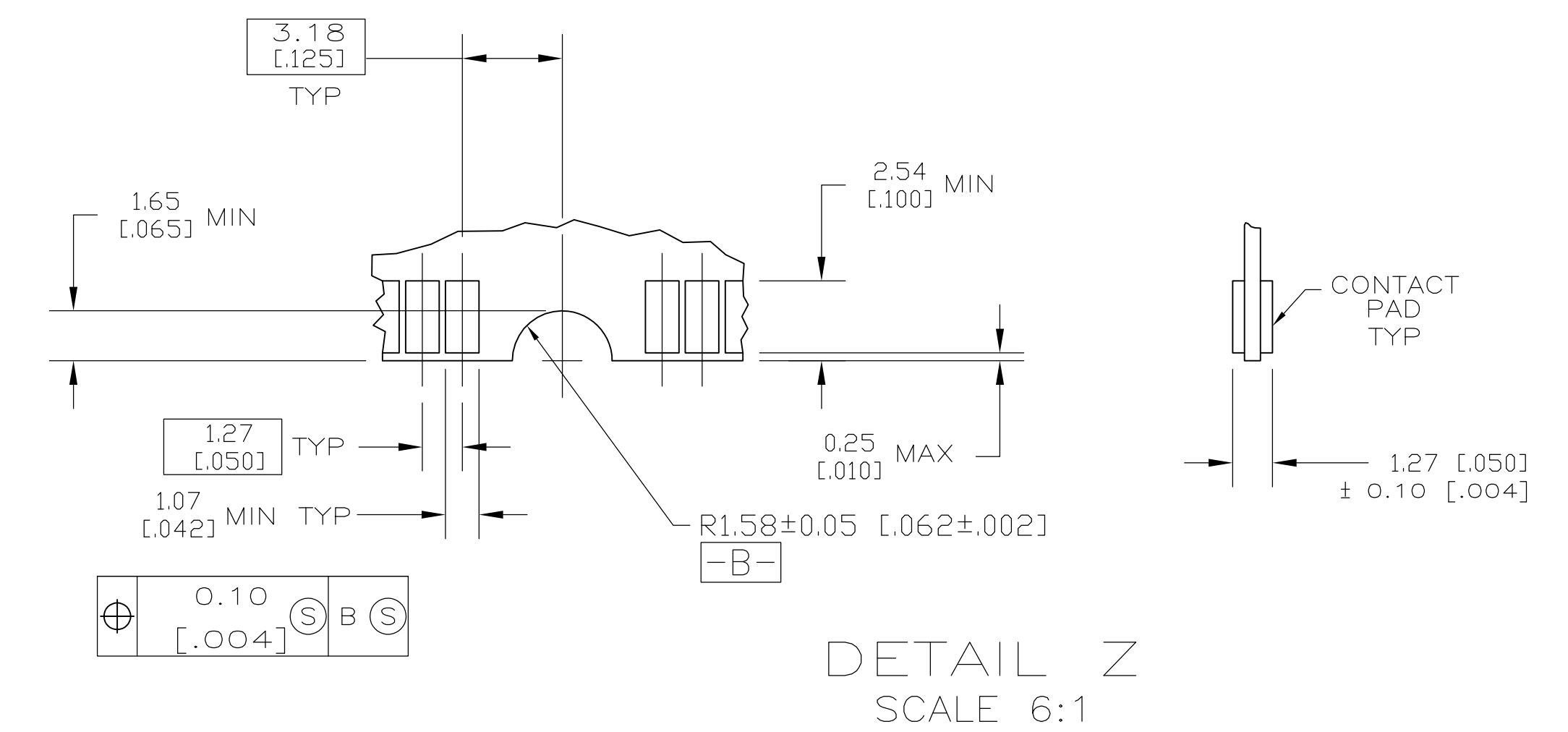
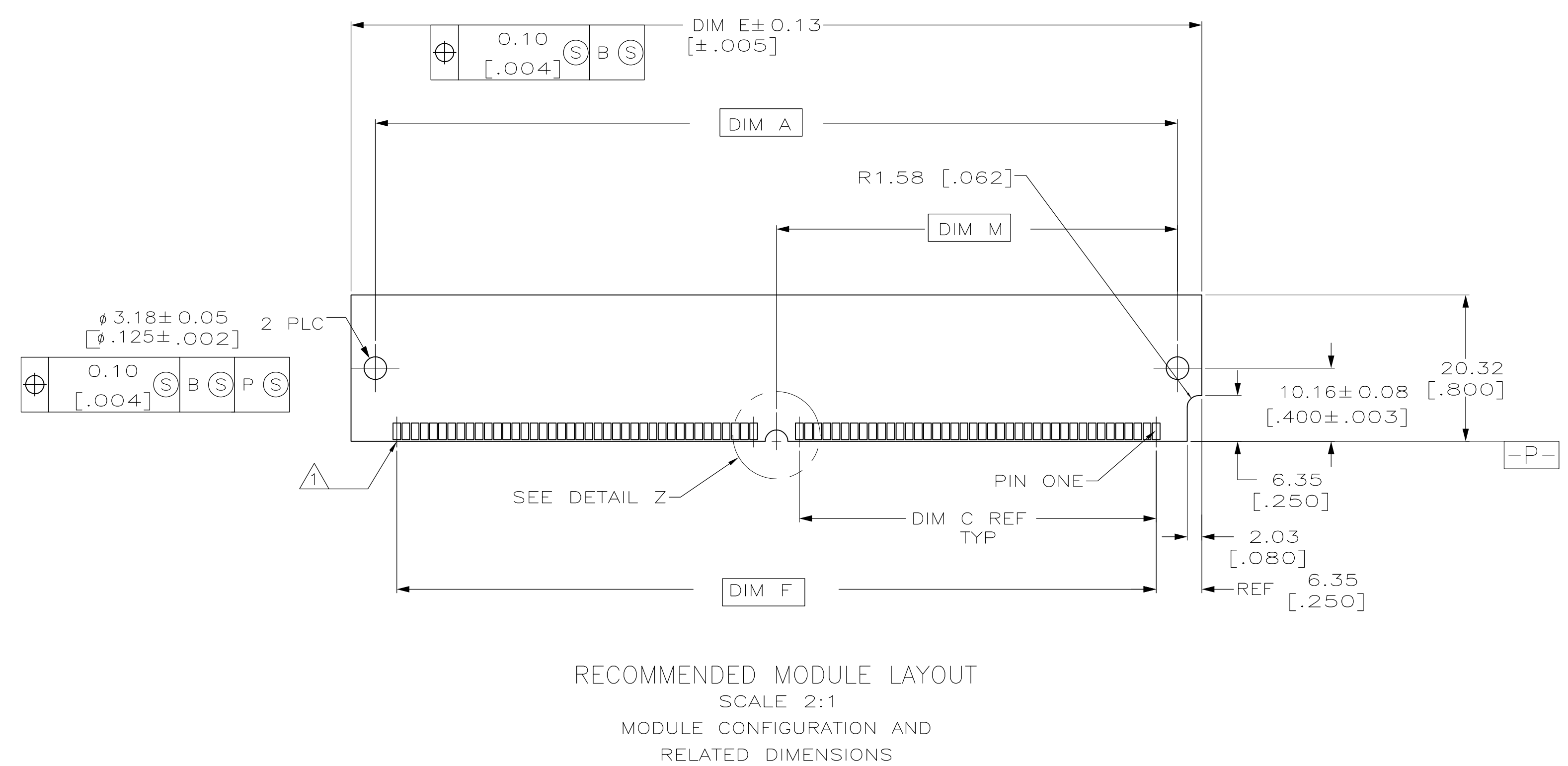
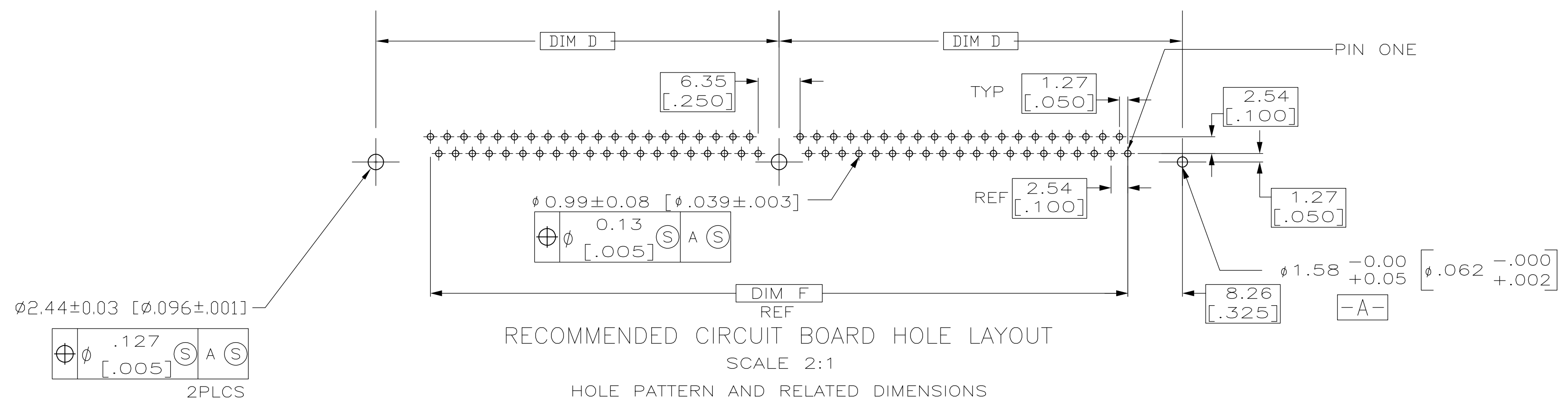


THIS DRAWING IS A CONTROLLED DOCUMENT.		DWN: WENKE HE 29MAR05	 TE Connectivity
DIMENSIONS: mm(INCHES)		CHK: STEVEN YAO 29MAR05	
0 PLC ± - 1 PLC ± - 2 PLC ± - 3 PLC ± 0.13(.005) 4 PLC ± - ANGLES ± -		APVD: TENOMOTO 29MAR05 NAME: SIMM II RTANG 1.27[.050] PRODUCT SPEC: APPLICATION SPEC: ASSY 6.350[.250] HEIGHT	
MATERIAL: HSG:GLASS REINF LCP (BLACK) CONTACT: PHOS. BRONZ	FINISH: 2	WEIGHT: -	SIZE: A1 CAGE CODE: 00779 DRAWING NO: C=5382487 RESTRICTED TO: - SCALE: 1:1 SHEET 1 OF 2 REV B1



OBSOLETE	58.22 [2.292]	127.00 [5.000]	110.49 [4.350]	123.19 [4.850]	63.50 [2.500]	52.07 [2.050]	130.81 [5.150]	116.43 [4.584]	84	8-5382487-4
	50.60 [1.992]	111.76 [4.400]	95.25 [3.750]	107.95 [4.250]	55.88 [2.200]	44.45 [1.750]	115.57 [4.550]	101.19 [3.984]	72	7-5382487-2
OBSOLETE	48.06 [1.892]	106.68 [4.200]	90.17 [3.550]	102.87 [4.050]	53.34 [2.100]	41.91 [1.650]	110.49 [4.350]	96.11 [3.784]	68	6-5382487-8
	30.28 [1.192]	71.12 [2.800]	54.61 [2.150]	67.31 [2.650]	35.56 [1.400]	24.13 [.950]	74.93 [2.950]	60.55 [2.384]	40	4-5382487-0
	DIM M	DIM J	DIM F	DIM E	DIM D	DIM C	DIM B	DIM A	POSN	

THIS DRAWING IS A CONTROLLED DOCUMENT.

DIMENSIONS:	TOLERANCES UNLESS OTHERWISE SPECIFIED:	DWN: WENKE HE	29MARG
0 PLC ± -	1 PLC ± -	CHK: STEVEN YAO	29MARG
2 PLC ± -	3 PLC ± 0.13[.005]	APVD: TENOMOTO	29MARG
4 PLC ± -	ANGLES ± -	PRODUCT SPEC	
MATERIAL	FINISH	APPLICATION SPEC	
		WEIGHT	

STE TE Connectivity

SIMM II, RTANG,
1.27 [.050] ASSY,
6.35 [.250] HGT

SIZE: A1 CAGE CODE: 00779 DRAWING NO: 5382487

SCALE: 4:1 SHEET: 2 OF 2 REV: B1