



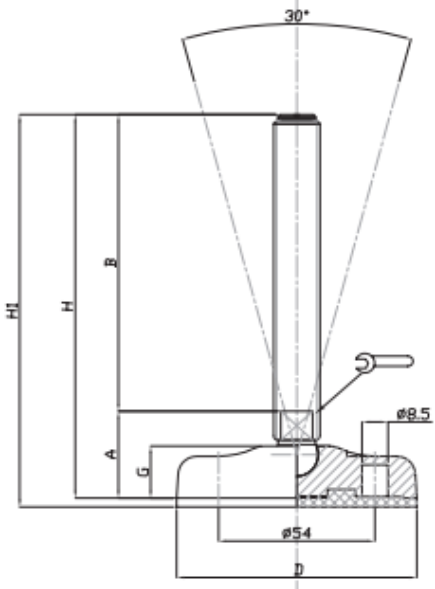
# ENGLISH

## Mild Steel Plastic Levelling Feet

The RS Pro Height Adjustable mounts are used for levelling and support in many applications including food processing units, packing systems and conveyor systems.

The Plastic Foot base is made from black polyamide material, reinforced by fiber glass, this along with a Mild Steel thread make these an economical solution for your levelling needs.

These mounts have a 30 degree articulation capability.



Item Code	Description	A (mm)	B (mm)	D (mm)	F (mm)	G (mm)	H (mm)	H1 (mm)	Max Compression Load (kg)
1854502	Plastic Foot with 30 Degree Articulation	30	50	83	M10	18	80	83	1000