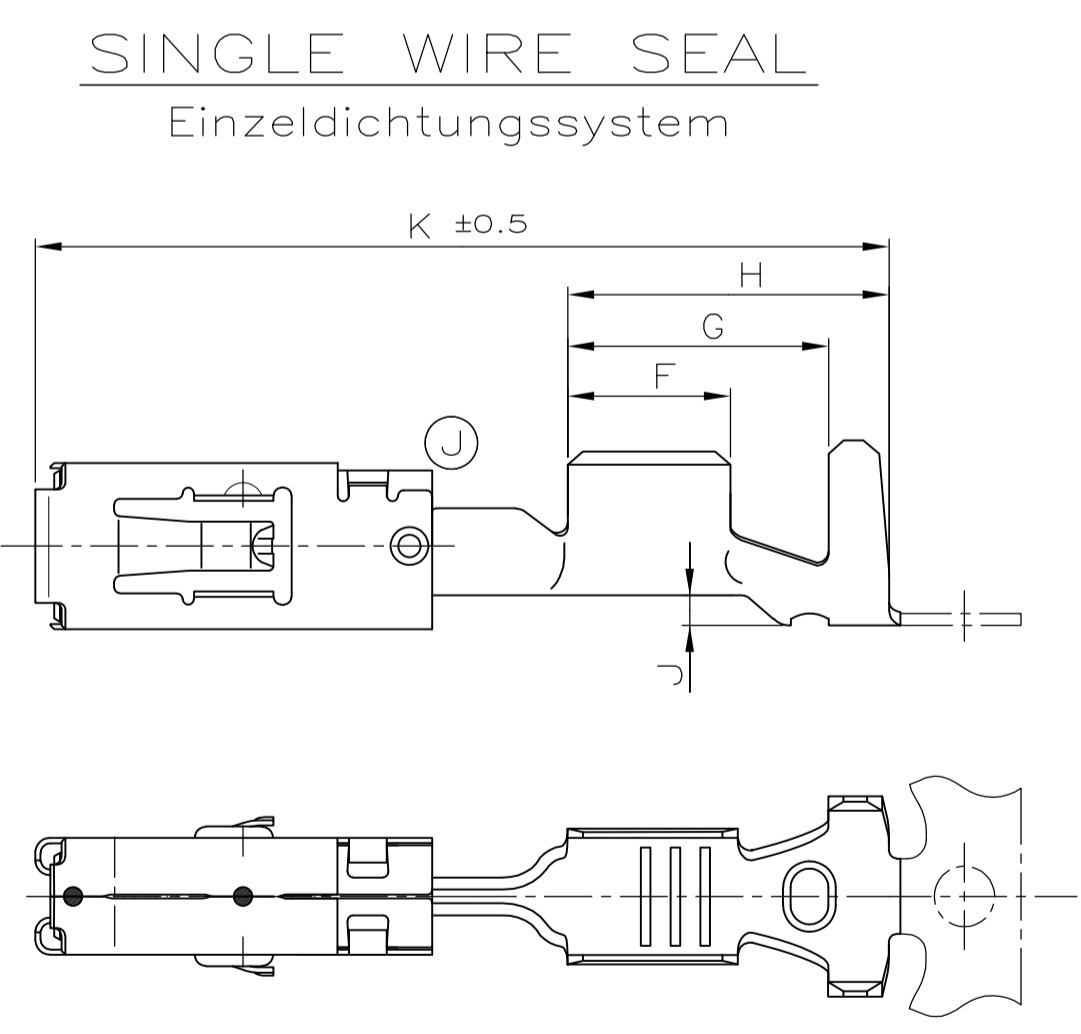
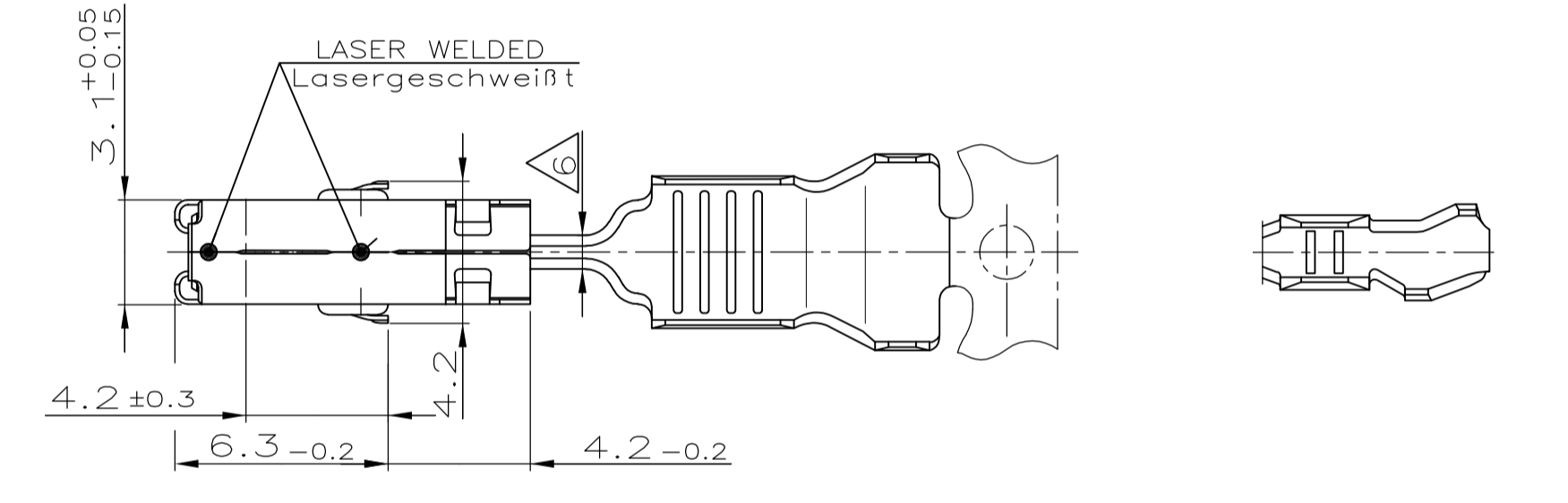
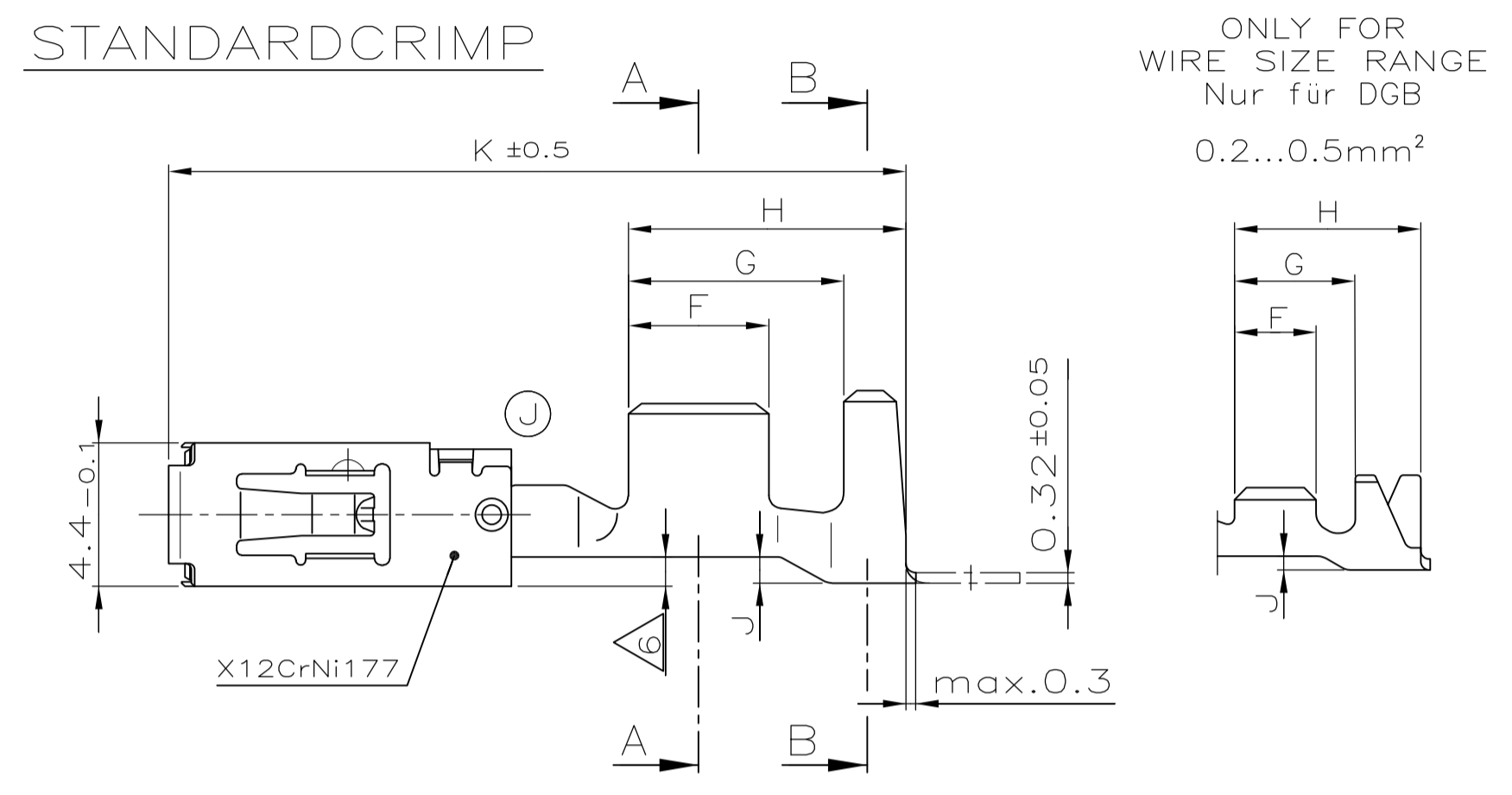
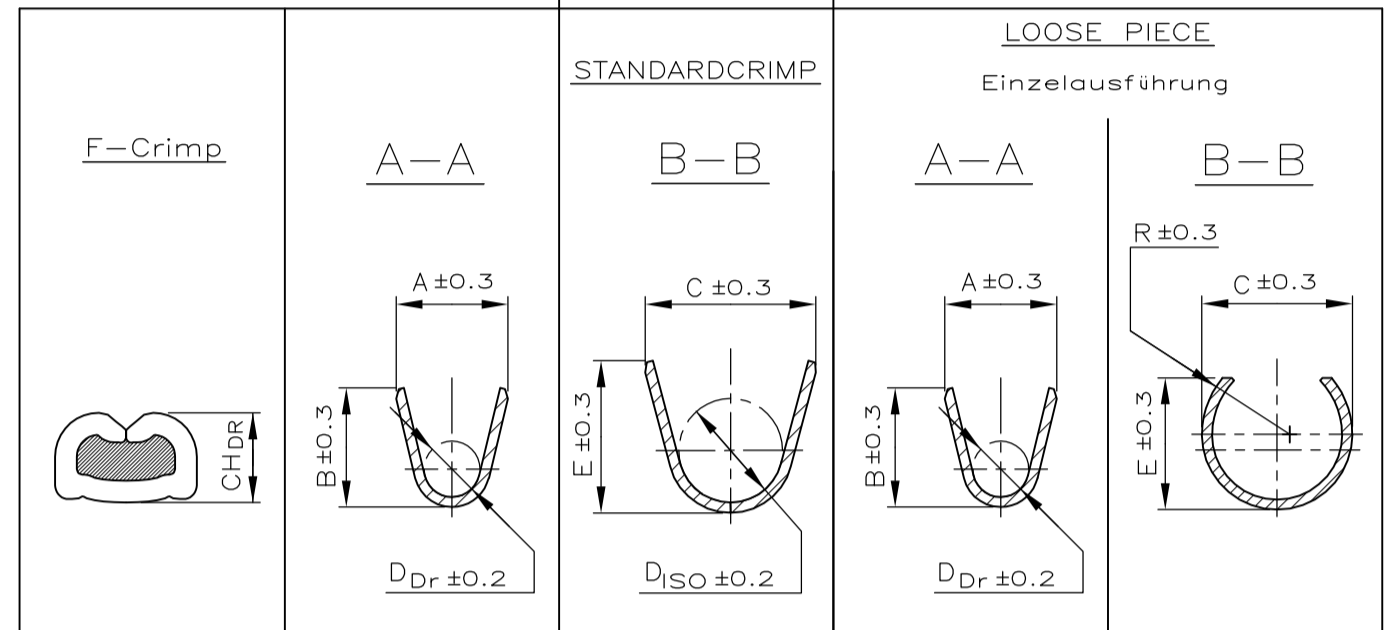
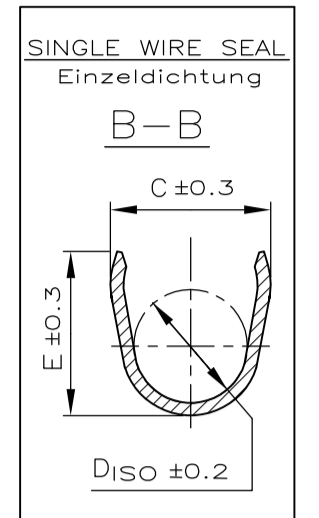


- REMARKS**
Bemerkungen
- MATING PART SEE INTERFACE DRAWING
AMP-NR.: 114-18230-002
Gegenstecker nach Ausführungsvorschrift
AMP-Nr.: 114-18230-002
 - ONLY FOR FLR-WIRE SEE DIN 72551, PART 6
Nur für FLR-Leitung nach DIN 72551, Teil 6
 - APPLICATION OF CONTACTS VERSION A+B SEE SPEC.:114-18148
Verarbeitung der Kontakte Ausführung A+B siehe Spec.:114-18148
 - SURFACE:
- PRE TIN PLATED 1 TO 3 μm
- GOLD PLATED MIN. 2 μm (only contact area)
- SILVER PLATED 3 TO 5 μm (only contact area)
Oberfläche:
- verzinkt 1 bis 3 μm
- galv. vergoldet min. 2 μm (nur Kontaktzone)
- galv. versilbert 3 bis 5 μm (nur Kontaktzone)
 - DOUBLE CRIMPS ARE ONLY POSSIBLE WITH APPLICATORS AUTHORIZED BY AMP (NO HAND TOOL!)
SUITABLE TOOLS ON REQUEST
Doppelschläge sind nur mit von AMP zugelassenen Anschlagwerkzeugen möglich (keine Handzangen)
passende Werkzeuge auf Anfrage
 - GAUGE INSPECTION
Lehrenprüfung
 - DETAILS OF DESIGN ARE LEFT TO MANUFACTURER
Einzelheiten der Ausführung bleiben dem Hersteller überlassen
 - ONLY THE GERMAN-LANGUAGE VERSION SHALL BE BINDING
Maßgebend ist der deutsche Text
 - IN THE TRANSITION SUPPLY OF REV. D PERMISSIBLE
Im Übergang Lieferung von Rev. D zulässig
 - PUNCHING OIL: RAZIOL CLF 11 SG
Stanzöl:



VERSION	Ausführung	ORDER-NO. STRIP FORM	Rev.	ORDER-NO. LOOSE PIECE	Rev.	MATERIAL	SURFACE	POSSIBLE DOUBLE CRIMPS	HAND TOOL	WIRE SIZE RANGE	CH OR	CRIMP DIMENSIONS / Crimpabmessungen											SINGLE WIRE SEAL	DEAD END PLUG						
												A	B	D _{Dr}	C	E	D _{ISO}	A	B	D _{Dr}	C	E			R	F	G	H	J	K
1-1719506-3	A	-	-	-	-	CuNiSi	SILVER PLATED versilbert	-	-	12 AWG	-	4.0	4.2	2.0	5.0	5.0	3.5	-	-	-	-	-	-	3.5	5.9	7.5	0.8	21.0	828905-1	828922-1
1-1719506-1	A	-	-	-	-	CuNiSi	PRE TIN PLATED verzinkt	-	-	-	-	-	-	-	-	-	-	-	-	-	-	-	-	-	-	-	-	-	-	
1-968859-4	E	1-968877-4	E	1-968877-4	E	CuNiSi	SILVER PLATED versilbert	-	-	-	-	-	-	-	-	-	-	-	-	-	-	-	-	-	-	-	-	-		
1-968859-3	E	1-968877-3	E	1-968877-3	E	CuNiSi	SILVER PLATED versilbert	-	-	-	-	-	-	-	-	-	-	-	-	-	-	-	-	-	-	-	-	-		
1-968859-2	-	1-968877-2	-	1-968877-2	-	CuNiSi	GOLD PLATED vergoldet	x-541537-x	-	4.0	2.27	4.5	4.7	2.3	6.0	6.0	4.3	3.4	4.8	2.3	5.5	5.4	3.3	4.3	6.9	8.5	1.25	22.6	828985-1	828986-1
1-968859-1	E	1-968877-1	E	1-968877-1	E	CuNiSi	PRE TIN PLATED verzinkt	-	-	-	-	-	-	-	-	-	-	-	-	-	-	-	-	-	-	-	-	-		
1-968857-4	E	1-968876-4	E	1-968876-4	E	CuNiSi	SILVER PLATED versilbert	-	-	-	-	-	-	-	-	-	-	-	-	-	-	-	-	-	-	-	-	-		
1-968857-3	E	1-968876-3	E	1-968876-3	E	CuNiSi	SILVER PLATED versilbert	x-878974-x	-	2.5	1.88	3.6	3.8	1.7	5.0	5.0	3.5	2.8	3.9	1.7	4.8	4.4	2.8	3.5	5.9	7.5	0.8	21	828905-1	828922-1
1-968857-2	-	1-968876-2	-	1-968876-2	-	CuNiSi	GOLD PLATED vergoldet	-	-	1.5	1.58	-	-	-	-	-	-	-	-	-	-	-	-	-	-	-	-	-	-	
1-968857-1	E	1-968876-1	E	1-968876-1	E	CuNiSi	PRE TIN PLATED verzinkt	-	-	-	-	-	-	-	-	-	-	-	-	-	-	-	-	-	-	-	-	-	-	
1-968855-4	E	1-968875-4	E	1-968875-4	E	CuNiSi	SILVER PLATED versilbert	-	-	-	-	-	-	-	-	-	-	-	-	-	-	-	-	-	-	-	-	-	-	
1-968855-3	E	1-968875-3	E	1-968875-3	E	CuNiSi	SILVER PLATED versilbert	x-878973-x	-	1.0	1.36	2.5	2.7	1.2	4.8	4.8	3.3	2.2	2.8	1.2	4.4	4.2	2.6	3	5.4	7	0.75	21	828904-1	828922-1
1-968855-2	E	1-968875-2	E	1-968875-2	E	CuNiSi	GOLD PLATED vergoldet	-	-	0.5	1.18	-	-	-	-	-	-	-	-	-	-	-	-	-	-	-	-	-	-	
1-968855-1	E	1-968875-1	E	1-968875-1	E	CuNiSi	PRE TIN PLATED verzinkt	-	-	-	-	-	-	-	-	-	-	-	-	-	-	-	-	-	-	-	-	-	-	
1-968882-3	E	1-968896-3	E	1-968896-3	E	CuNiSi	SILVER PLATED versilbert	x-541563-x	-	0.35	1.08	2.1	2.1	0.8	4.5	4.5	3.2	1.7	2.15	0.8	4.2	4.15	2.4	2.5	4.9	6.5	0.75	21	828904-1	828922-1
1-968882-2	-	1-968896-2	-	1-968896-2	-	CuNiSi	GOLD PLATED vergoldet	-	-	-	-	-	-	-	-	-	-	-	-	-	-	-	-	-	-	-	-	-	-	
1-968882-1	E	1-968896-1	E	1-968896-1	E	CuNiSi	PRE TIN PLATED verzinkt	-	-	-	-	-	-	-	-	-	-	-	-	-	-	-	-	-	-	-	-	-	-	
1-968853-3	E	1-968874-3	E	1-968874-3	E	CuNiSi	SILVER PLATED versilbert	x-541534-x	-	4.0	2.27	4.5	4.7	2.3	5.7	5.9	3.3	3.4	4.8	2.3	4.4	5.2	2.6	4.3	6.6	8.5	0.8	22.6	-	-
1-968853-2	-	1-968874-2	-	1-968874-2	-	CuNiSi	GOLD PLATED vergoldet	-	-	-	-	-	-	-	-	-	-	-	-	-	-	-	-	-	-	-	-	-	-	
1-968853-1	E	1-968874-1	E	1-968874-1	E	CuNiSi	PRE TIN PLATED verzinkt	-	-	-	-	-	-	-	-	-	-	-	-	-	-	-	-	-	-	-	-	-	-	
1-968851-3	E	1-968873-3	E	1-968873-3	E	CuNiSi	SILVER PLATED versilbert	x-541536-x	-	2.5	1.88	3.6	3.8	1.7	4.6	4.8	2.6	2.8	3.9	1.7	3.8	4.4	2.3	3.5	5.1	6.7	0.3	20.2	-	-
1-968851-2	E	1-968873-2	E	1-968873-2	E	CuNiSi	GOLD PLATED vergoldet	-	-	1.5	1.58	2.5	2.7	1.2	4.8	4.8	3.3	2.2	2.8	1.2	4.4	4.2	2.6	3	5.4	7	0.75	21	828904-1	828922-1
1-968851-1	E	1-968873-1	E	1-968873-1	E	CuNiSi	PRE TIN PLATED verzinkt	x-541628-x	-	0.5	1.18	2.5	2.7	1.2	3.3	3.5	1.8	2.2	2.8	1.2	2.8	3.2	1.6	3	4.6	6.2	0.2	20.2	-	-
1-968849-3	E	1-968872-3	E	1-968872-3	E	CuNiSi	SILVER PLATED versilbert	x-541535-x	-	1.0	1.36	2.5	2.7	1.2	3.3	3.5	1.8	2.2	2.8	1.2	2.8	3.2	1.6	3	4.6	6.2	0.2	20.2	-	-
1-968849-2	E	1-968872-2	E	1-968872-2	E	CuNiSi	GOLD PLATED vergoldet	-	-	0.5	1.18	2.5	2.7	1.2	3.3	3.5	1.8	2.2	2.8	1.2	2.8	3.2	1.6	3	4.6	6.2	0.2	20.2	-	-
1-968849-1	E	1-968872-1	E	1-968872-1	E	CuNiSi	PRE TIN PLATED verzinkt	x-541627-x	-	0.5	1.18	2.5	2.7	1.2	3.3	3.5	1.8	2.2	2.8	1.2	2.8	3.2	1.6	3	4.6	6.2	0.2	20.2	-	-
1-968880-3	E	1-968895-3	E	1-968895-3	E	CuNiSi	SILVER PLATED versilbert	-	-	0.5	1.14	2.1	2.1	0.8	2.9	2.9	1.4	1.7	2.15	0.8	2.5	2.5	1.4	2.5	3.7	5.7	0.2	20.2	-	-
1-968880-2	-	1-968895-2	-	1-968895-2	-	CuNiSi	GOLD PLATED vergoldet	x-541562-x	-	0.35	1.08	2.1	2.1	0.8	2.9	2.9	1.4	1.7	2.15	0.8	2.5	2.5	1.4	2.5	3.7	5.7	0.2	20.2	-	-
1-968880-1	E	1-968895-1	E	1-968895-1	E	CuNiSi	PRE TIN PLATED verzinkt	-	-	0.2	1.00	2.1	2.1	0.8	2.9	2.9	1.4	1.7	2.15	0.8	2.5	2.5	1.4	2.5	3.7	5.7	0.2	20.2	-	-

THIS DRAWING IS A CONTROLLED DOCUMENT.
DIESE ZEICHNUNG IST EIN KONTROLLIERTES DOKUMENT.

DIMENSIONS: DIMENSIONEN	mm	DIN S. Blidor 22.09.97	TE Connectivity
MATERIAL	-	CHK: G. Hotea 22.09.97	NAME: PRODUCT GROUP DRAWING FOR Tabellenzzeichnung fuer AMP MCP2.8
FINISH / OBERFLÄCHE/FARBE	-	APVD: J. Woller 22.09.97	SIZE: A1 00779
WEIGHT / GEWICHT	-	PRODUCT SPEC: 108-18513	SCALE: MASSSTAB 5:1
CUSTOMER DRAWING / KUNDENZICHNUNG	-	APPLICATION SPEC: 114-18148	SHEET 1 OF 1
		REVISIONS: 114-18148	REV. J4