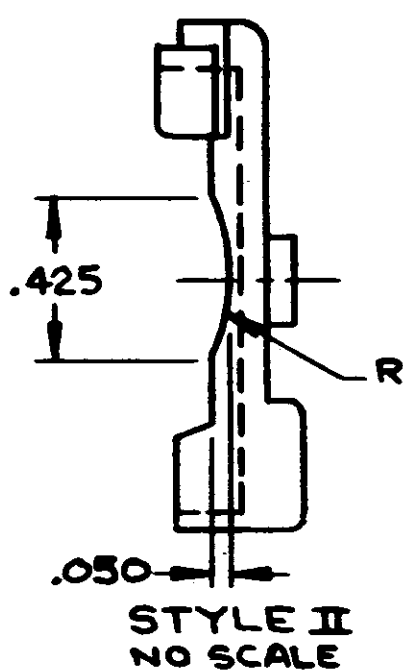
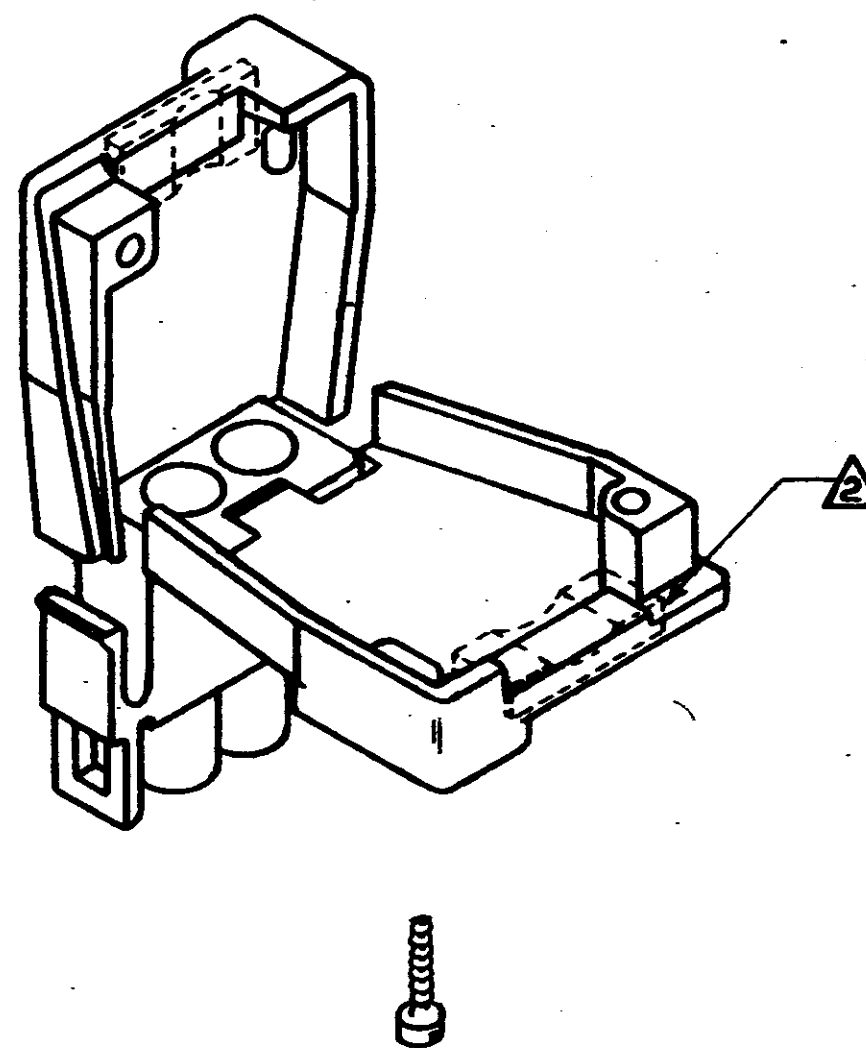
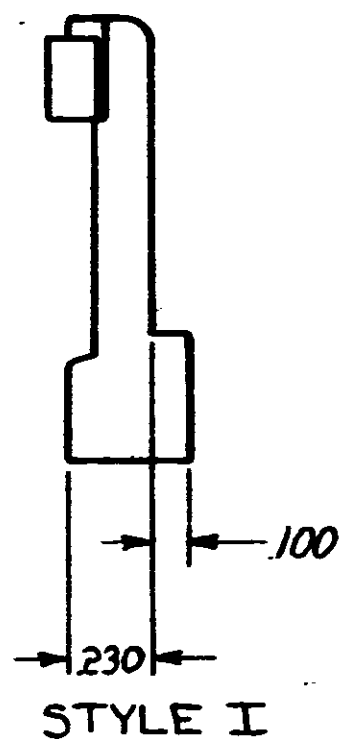
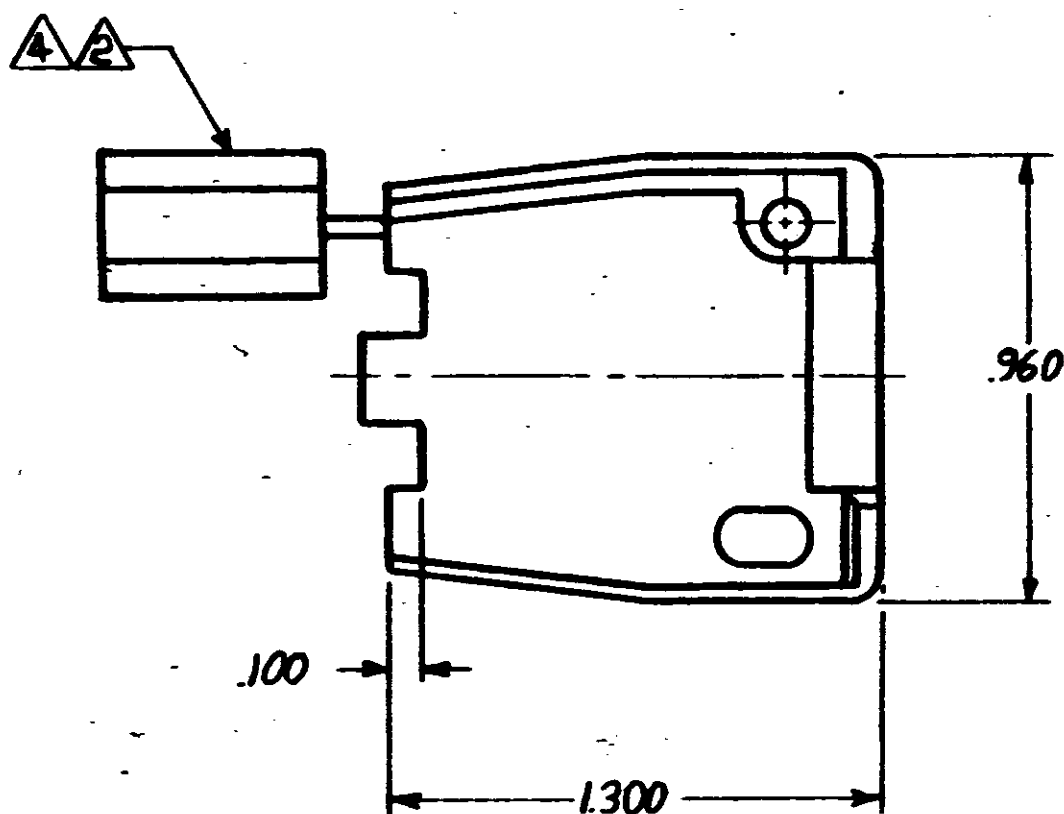
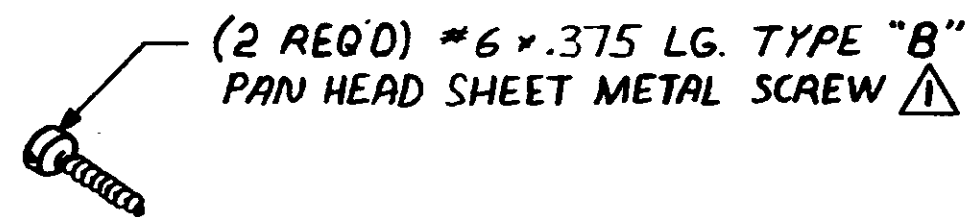
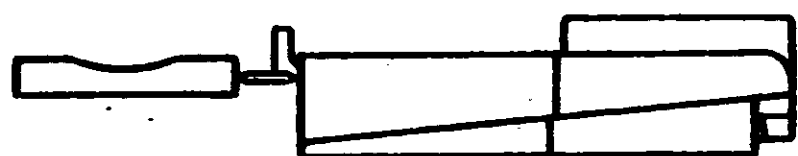


© COPYRIGHT 1978 BY AMP INCORPORATED, HARRISBURG, PA. ALL INTERNATIONAL RIGHTS RESERVED. AMP INCORPORATED PRODUCTS COVERED BY U. S. AND FOREIGN PATENTS AND/OR PATENTS PENDING.

REVISIONS						
P	F	ZONE	LTR	DESCRIPTION	DATE	APPROVED
✓	L		0	DWG RELEASED PER M-5037	10-25-78	CE/ΔH
✓			A	REVISED SCREW LENGTH M-5352	6-7-79	MF/RW
✓			B	ADDED -2 PER TTI 83-133	11-28-83	KW/SS
✓			B1	RESTORATION	6-21-85	SS/ΔB
✓	✓		C	REV PER ECN CM 705	12-1-85	TB/RS

- ⚠ SHEET METAL SCREWS NOT SUPPLIED.
- ⚠ INSERT IS ATTACHED TO STRAIN RELIEF. AS AN ADDITIONAL ADJUSTMENT FOR SMALL WIRE BUNDLES, IT SHOULD BE CUT OFF AND POSITIONED AS SHOWN BY DOTTED LINES.
- ③ TWO REQUIRED PER CONNECTOR.
- ④ STYLE II DOES NOT INCLUDE INSERT.
- 5. DETACHABLE INSERT MAY SEPARATE FROM STRAIN RELIEF BODY DURING SHIPPING.



WIRE BUNDLE	
WITHOUT INSERT	MAX 2 @ .190 DIA
WITH INSERT	MIN 2 @ .040 DIA

UNLESS OTHERWISE SPECIFIED DIMENSIONS ARE IN INCHES. TOLERANCES ON: DECIMALS ± .015 ANGLES ±	CONTRACT NO
MATERIAL	DR C.ERISMAN 10-25-78
SEE TABLE	CHK D.S. Heide 11/1/78
FINISH	APP J.C. Feb 11-1-78
SEE TABLE	APD
	DSGN APPD
	OTHER APPD

II	BRICK RED	NYLON 94V-0	640713-2
I	BRICK RED	NYLON 94V-0	640713-1
STYLE	COLOR	MATERIAL	PART NO

<b>AMP</b> AMP INCORPORATED Harrisburg, Pa.	
NAME STRAIN RELIEF AND INSERT, 2 CIRCUIT, UNIVERSAL MATE-N-LOK™	
SIZE	CODE IDENT NO DRAWING NO
C	00779 640713
SCALE	NTS
SHEET 1 OF 1	