

# rotronic

Datenblatt - Fiche technique - Data sheet

11.03.1040

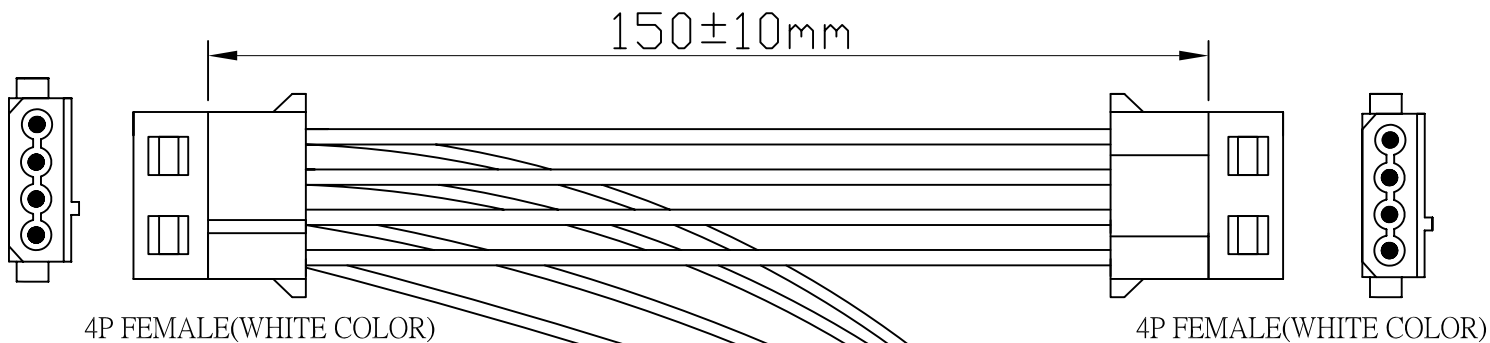


**ROLINE Y-Adapterkabel SATA / 3x 4 pol. HDD,**

**ROLINE Câble adaptateur en Y, SATA / 3x 4 pôles HDD,**

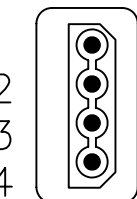
**ROLINE Internal Y-Power Cable, SATA to 3x 4-pin HDD,**

RED 4  
BLACK 3  
BLACK 2  
YELLOW 1

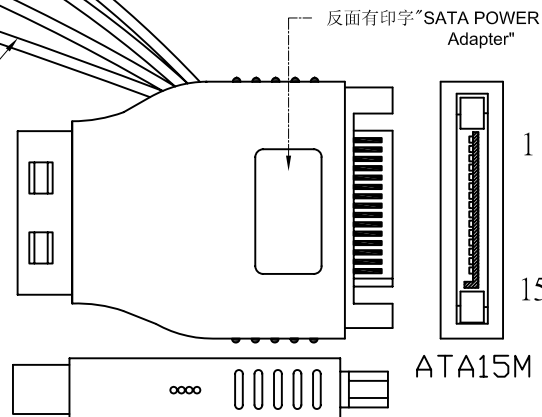


20AWG UL1007 L=150±10mm (SR-SR)

YELLOW 1  
BLACK 2  
BLACK 3  
RED 4



4P FEMALE



NOTE:

- CABLE: A)20AWG,UL1007, NON-FOIL,4C,RED/BLACK/BLACK/YELLOW,WIRE,PVC JACKET.  
B)20AWG,UL1007, NON-FOIL,4C,RED/BLACK/BLACK/YELLOW,WIRE,PVC JACKET.
- LENGTH: 200mm/200mm/50mm.
- CONNECTOR:大4P母HOUSING\*2,端子 \*8. 大4P FEMALE \*1PCS---SATA15M\*1PCS.(BLACK COLOR)
- CONTACTS:

大4P母	1	2	3	4	X
大4P母	1	2	3	4	X
SATA15M	1+2+3	4+5+6	10+11+12	7+8+9	13+14+15
大4P母	1	2	3	4	X
	YELLOW	BLACK	BLACK	RED	ORANGE

PACKING:1 PCS/PE BAG+小吊卡+条码贴纸

- OPEN/SHORT TEST: 100% TEST.  
INSULATION: 1M.

COMPANY	RLA		ITEM NO.	11.03.1040	NO	B4986				
REVISION	DATE	DISCRIPTION	DRAWN BY						SCALE	NO.
REV.A/0	2008.09.06	A5-2809005	DESIGNED BY						UNIT(mm)	
REV.A/1	2008.11.25	**修正料号为11.03.1040**	APPROVAL BY						DRAWING NO.	
Rotronic Co.,Ltd.										