



ENGLISH

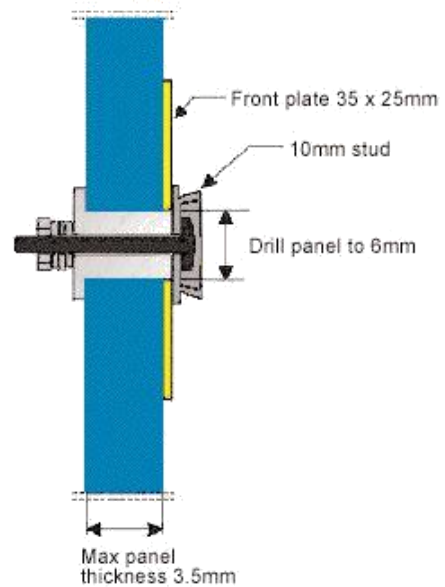
## Datasheet

# Antistatic Easy To Fit Rack Bonding Point

RS Stock number [392-141](#)



## Dimensions



### Description:

Create a designated ESD grounding point on panels, racks, cabinets etc. The EBP kit has a 10mm connection which is then electrically bonded to the mounting or earth by the user.

Mounting plate 25 x 35 mm in Yellow ABS

Clearly indicates "ESD BONDING POINT " Per IEC 61340-5-2 Visible, unambiguous and easily recognized marking yellow on black colours

10mm snap stud Per IEC 61340-5-2 The use of mating snap connectors and specialized miniature sockets is recommended to prevent the EBP system being inadvertently connected to live circuits which may cause damage or safety problems

This kit comes assembled and includes the following parts:

- 10mm Press Stud
- M5 Ring Terminal
- Vinyl Plate
- M3 Nut
- Plastic Shoulder Washer
- M3 Screw
- Shakerproof Washer
- M3 Washer