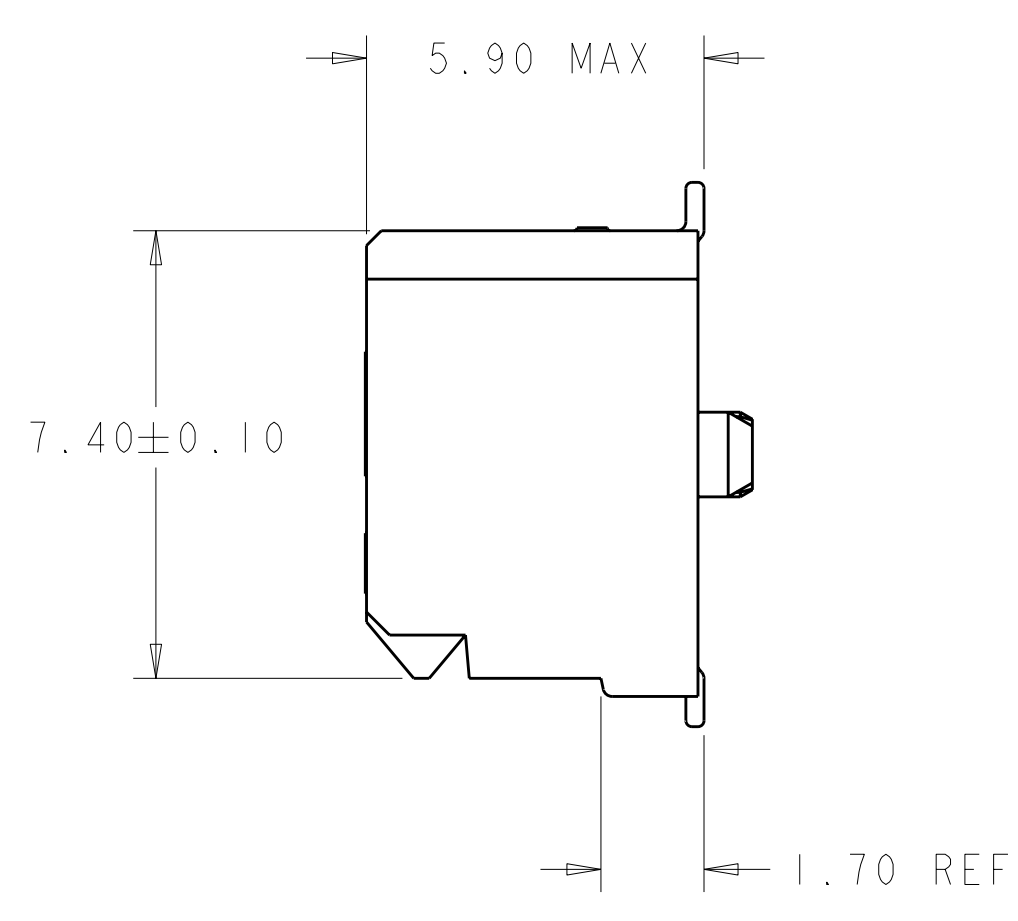
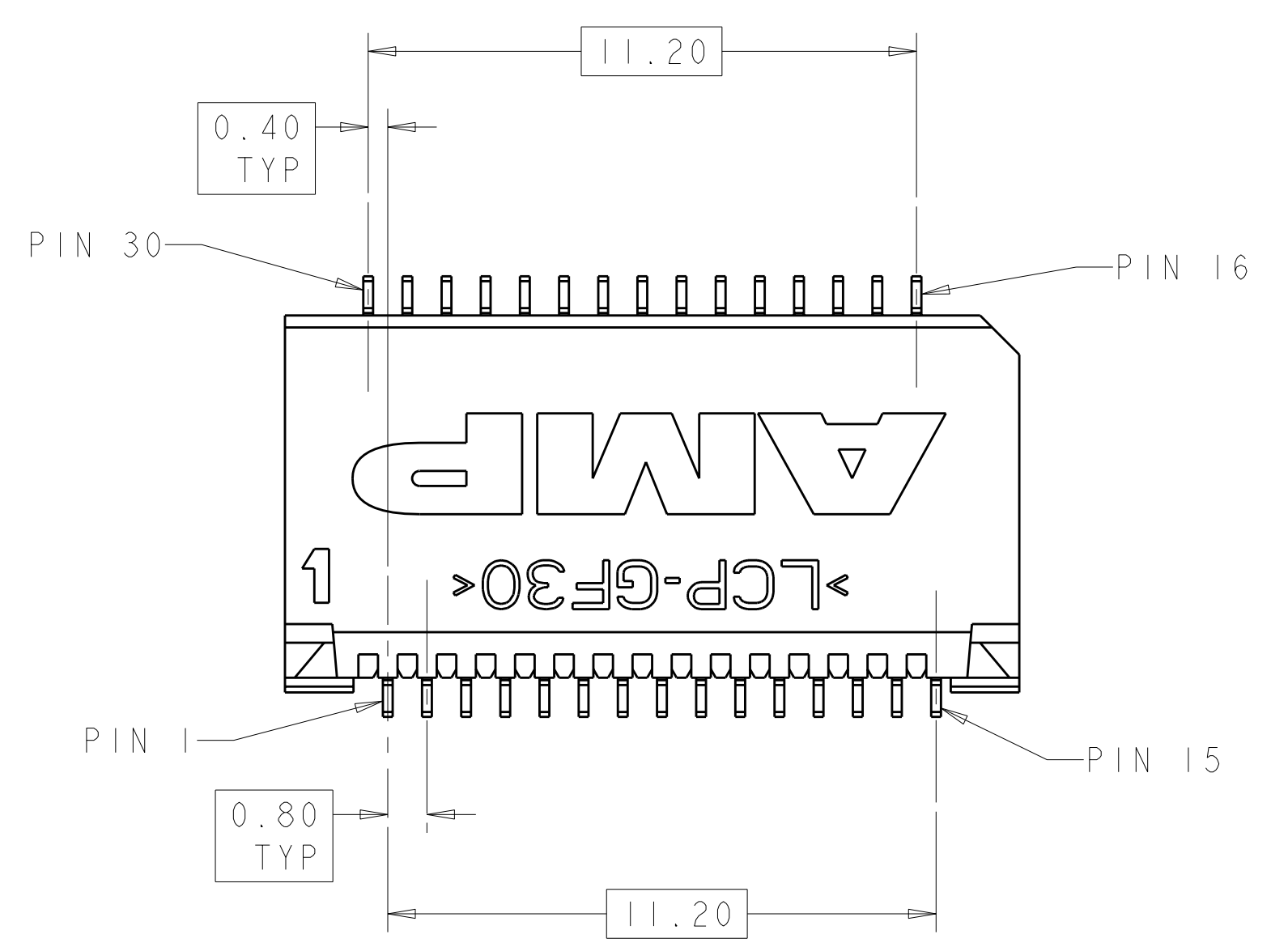


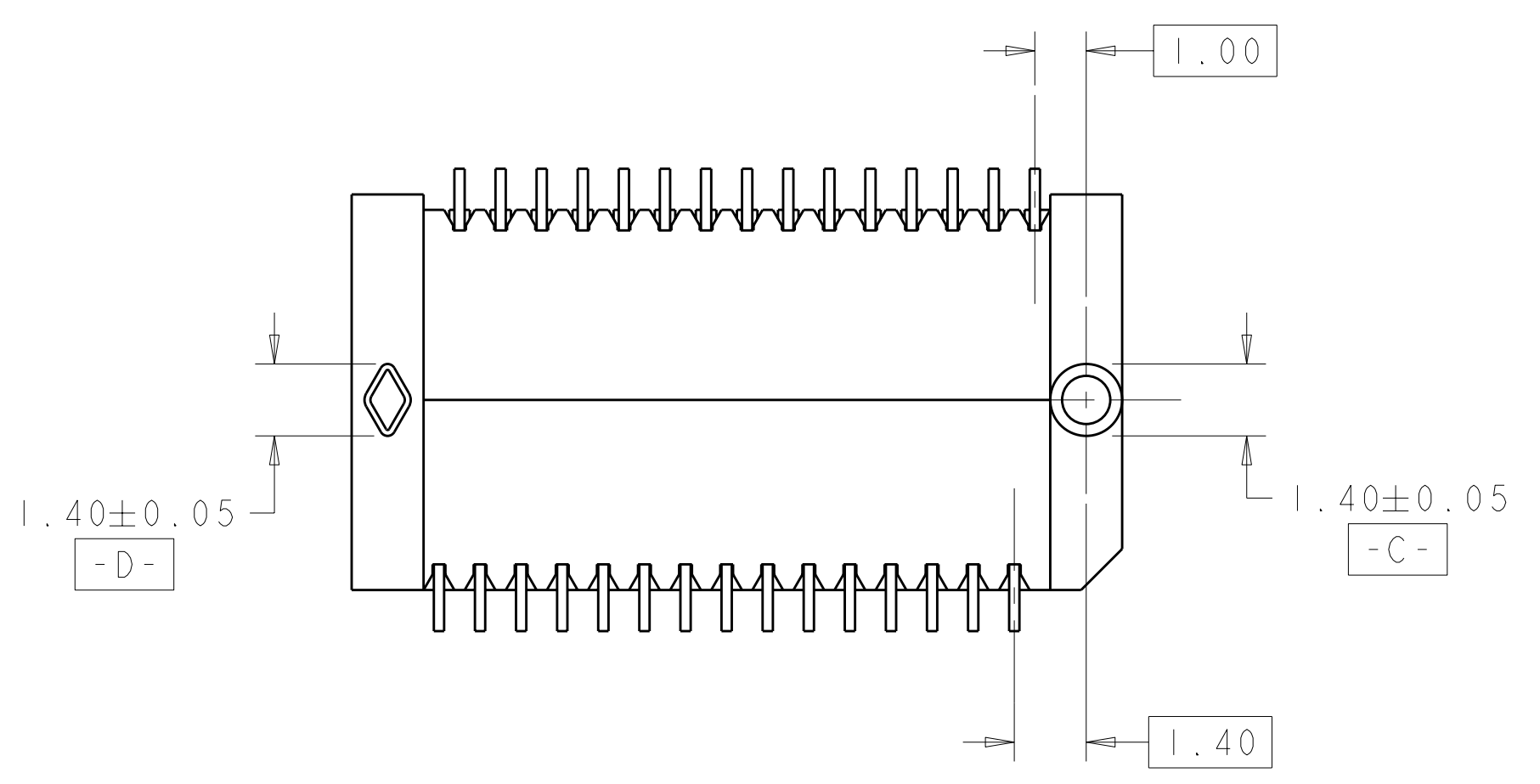
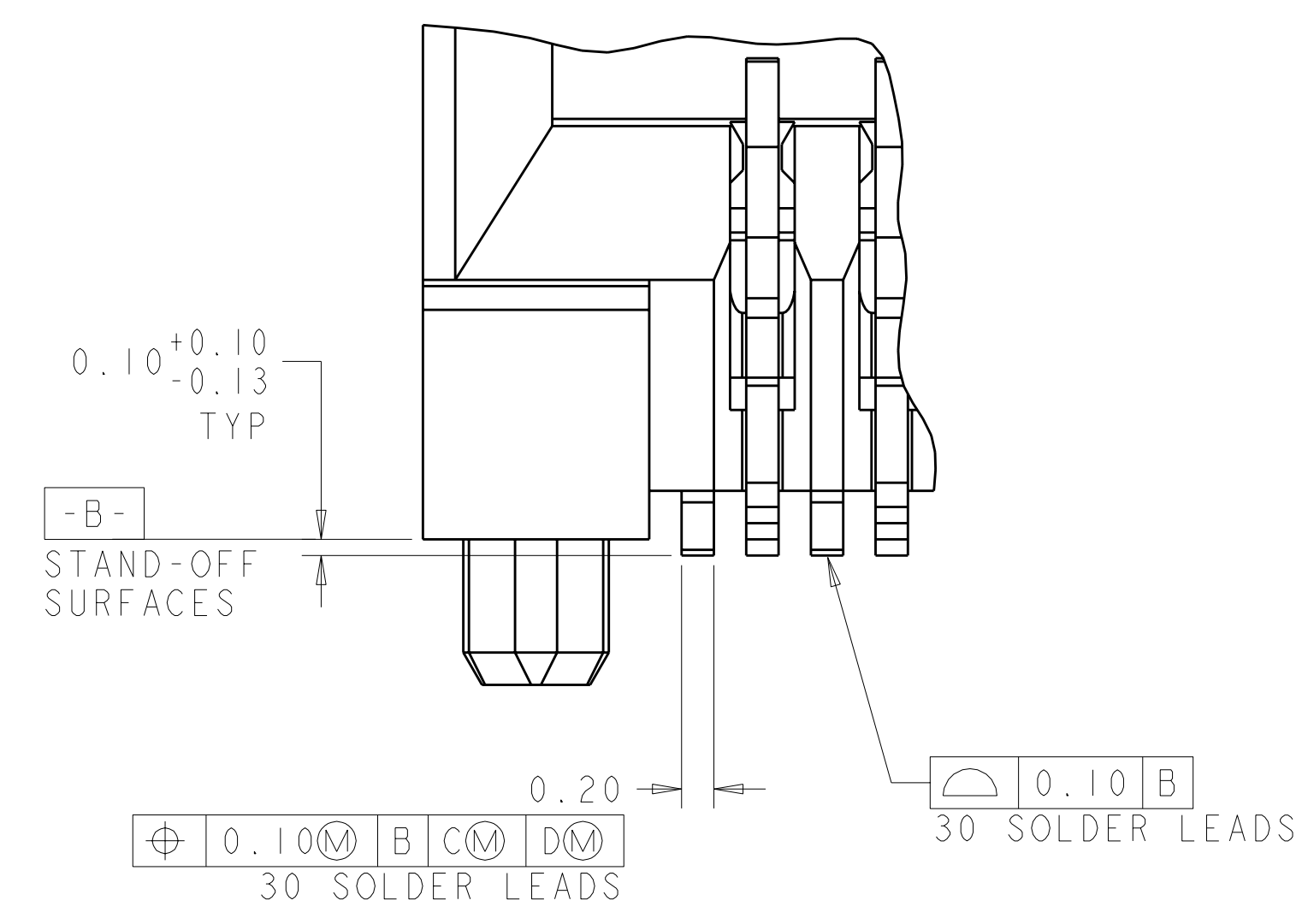
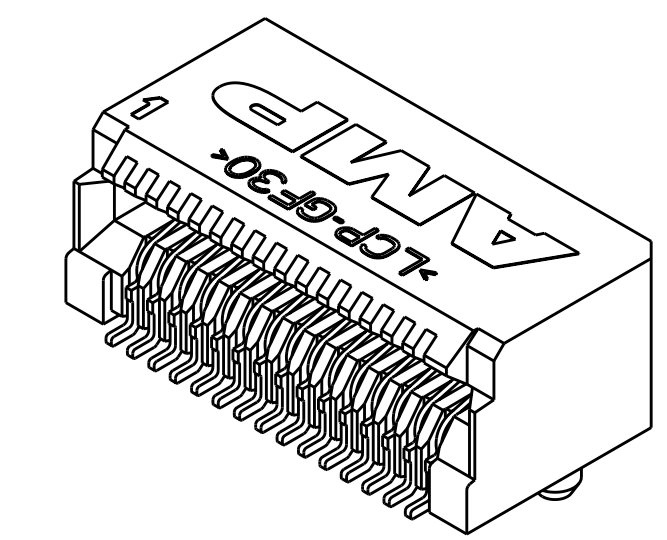
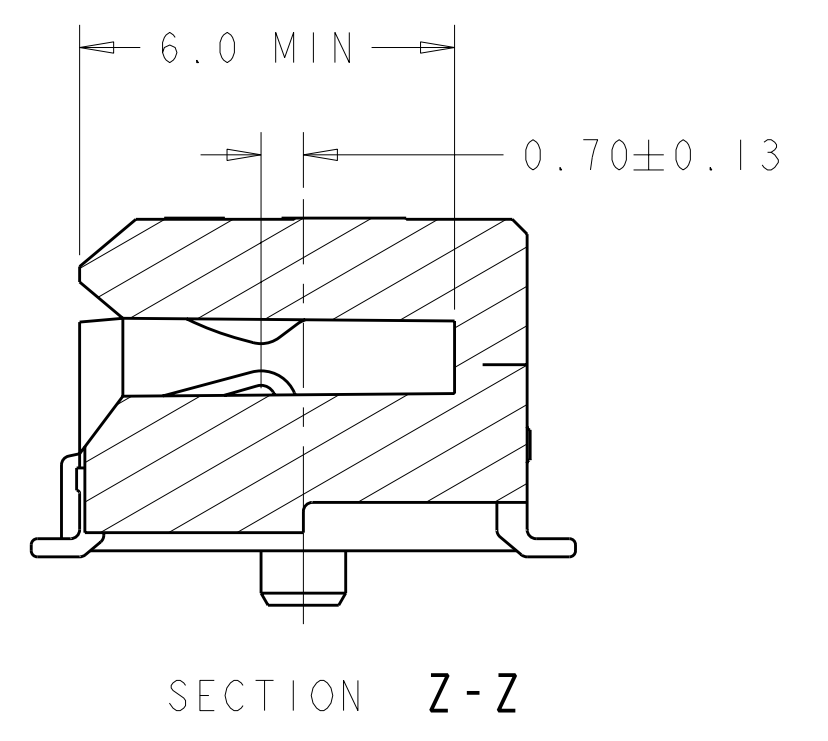
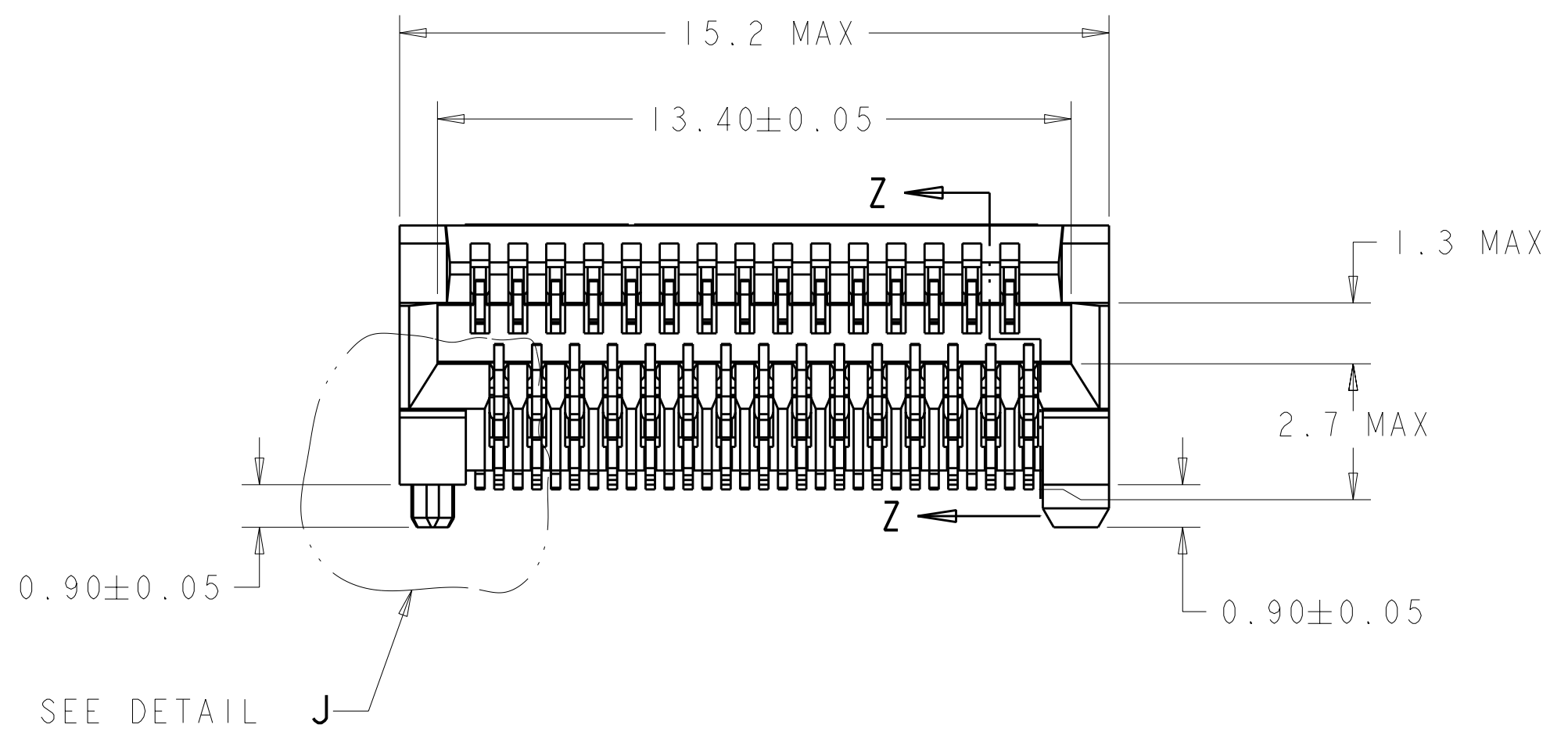
LOC	DIST	REV	DATE	BY	APPD
ES	00				

REVISIONS		DATE	BY	APPD
D	REVISED PER EC 0513-0220-05	22FEB06	BM	SS
E	REVISED PER ECO-06-011603	15NOV06	BM	SS
F	REVISED PER ECR-07-003740	27FEB07	ML	SY
G	REVISED PER ECR-07-025522	25OCT07	LL	SY



- PART COMPATIBLE WITH XFP MSA. REFER TO THE SFP MSA FOR DIMENSIONS NOT SHOWN ON THIS PRINT.
- HOUSING: HIGH TEMPERATURE LCP, UL 94V-0 RATED, BLACK. CONTACT: PHOSPHOR BRONZE.
- CONTACTS: 0.00038 MIN GOLD IN CONTACT AREA, 0.00013 MIN GOLD ON SOLDER AREA, OVER 0.0038 MIN NICKEL UNDERPLATE ON ENTIRE CONTACT.
- PACKAGED PIECES PER REEL.
- GROUND, POWER AND SIGNAL PAD ARRANGEMENT TO BE DETERMINED BY CUSTOMER.
- DATUMS AND BASIC DIMENSIONS ESTABLISHED BY CUSTOMER.
- CONTACTS: 0.00076 MIN GOLD IN CONTACT AREA, 0.00013 MIN GOLD ON SOLDER AREA, OVER 0.0038 MIN NICKEL UNDERPLATE ON ENTIRE CONTACT.
- SOLDER MASK KEEP OUT AREA.
- CONTACTS: 0.00127 MIN GOLD IN CONTACT AREA, 0.00013 MIN GOLD ON SOLDER AREA, OVER 0.0038 MIN NICKEL UNDERPLATE ON ENTIRE CONTACT.



FINISH	PART NUMBER
9	788862-3
7	788862-2
3	788862-1

DIMENSIONS:		TOLERANCES UNLESS OTHERWISE SPECIFIED:		MATERIAL:		FINISH:	
mm	9 PLC ±	0.10	±	SEE TABLE			
	1 PLC ±	0.10	±				
	2 PLC ±	0.10	±				
	3 PLC ±	0.10	±				
	4 PLC ±	0.10	±				
	ANGLES						

NAME	DATE	BY	APPD	PRODUCT SPEC	APPLICATION SPEC	SIZE	CAGE CODE	DRAWING NO	RESTRICTED TO
J. GERACE	15JAN02	J. KOPPENHEFFER	M. WALMSLEY	108-1949	114-13017	A	100779	C=788862	

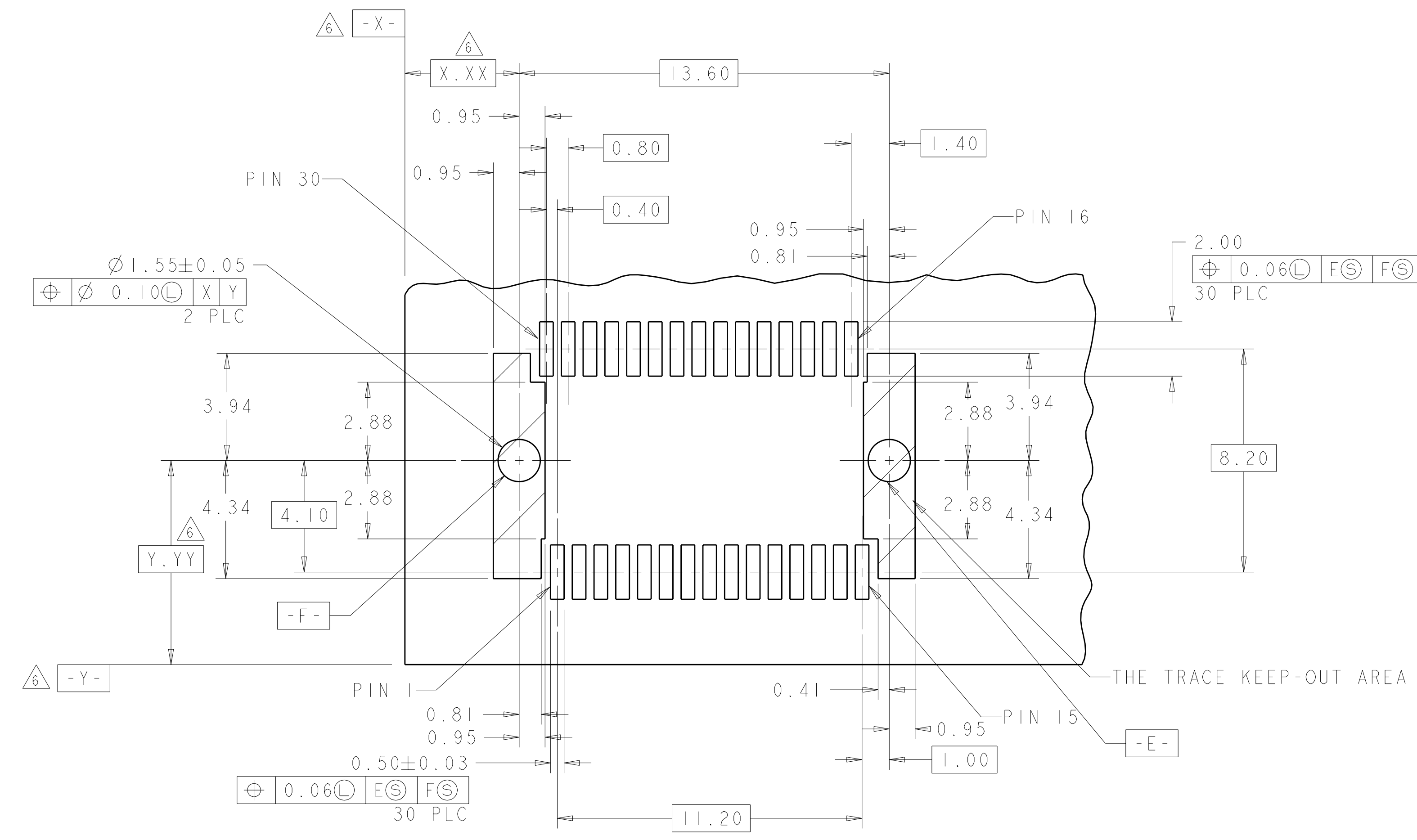
  

Tyco Electronics Corporation	
Shanghai, P.R.China, 200233	SCALE 8:1 SHEET 1 OF 2 REV G

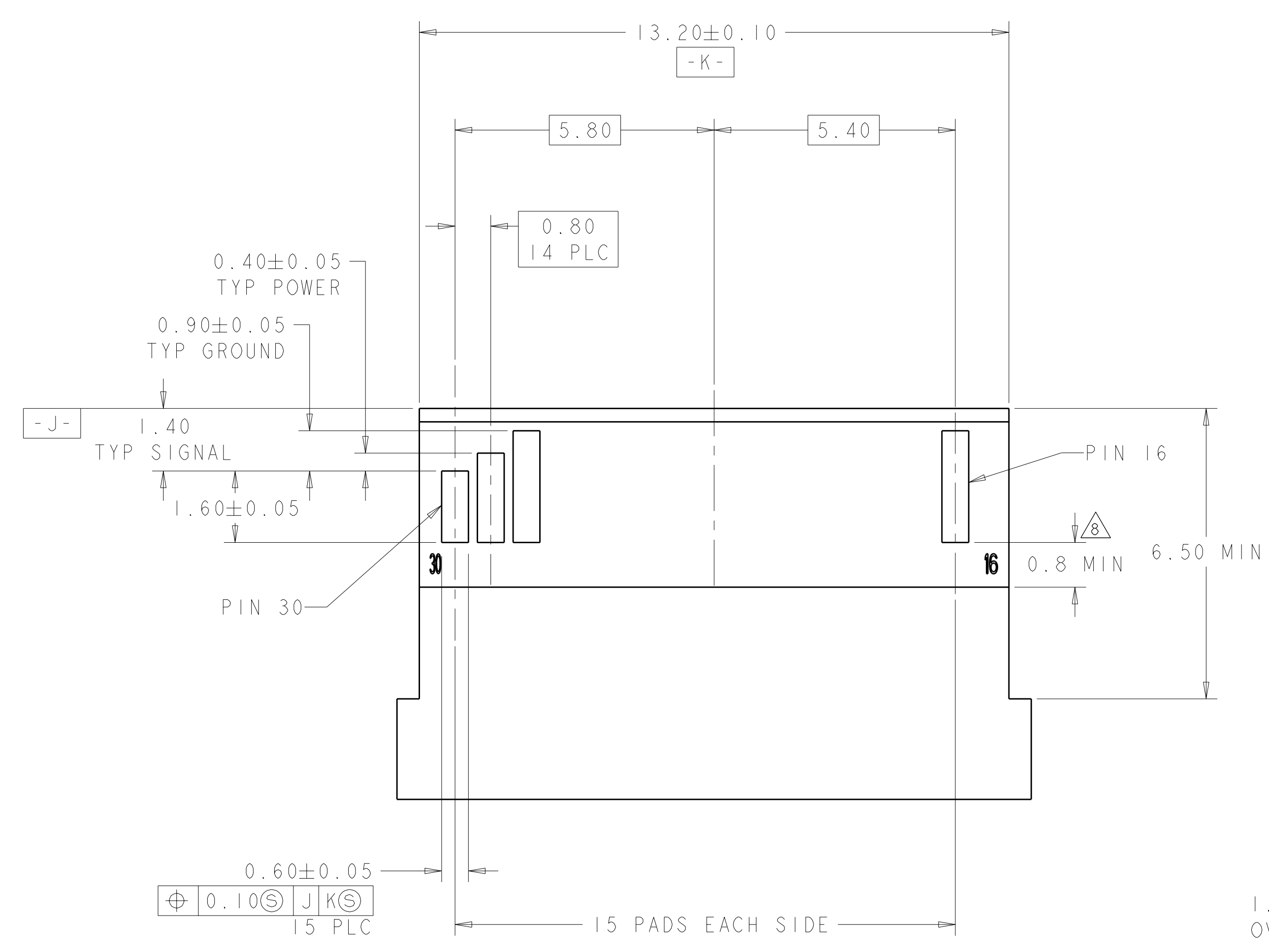
LOC	DIST	REV	DATE	BY	APPD
ES	00				

REVISIONS		DATE	BY	APPD
1	SEE SHEET 1			



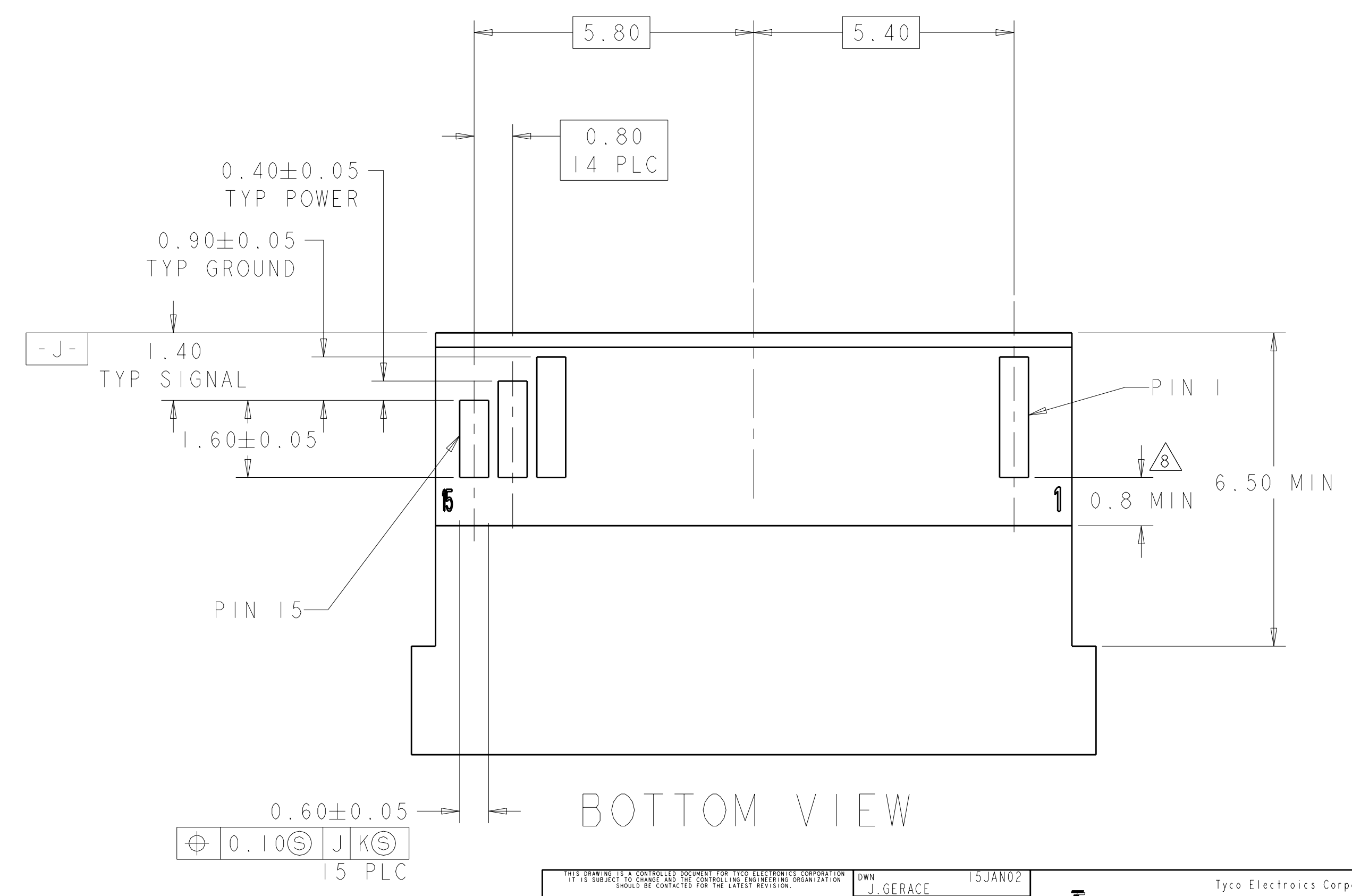
RECOMMENDED PCB LAYOUT DETAIL  
 CONNECTOR MOUNTING SIDE  
 SCALE 8:1



TOP VIEW

RECOMMENDED LAYOUT DETAIL  
 MATING PCB

SCALE 12:1



BOTTOM VIEW

DIMENSIONS: mm 		TOLERANCES UNLESS OTHERWISE SPECIFIED: 9 PLC ± 1 PLC ±0.10 2 PLC ± 3 PLC ± 4 PLC ± ANGLES ±		DWN J. GERACE 15JAN02 CHK J. KOPPENHEFFER 15JAN02 APVD M. WALMSLEY 15JAN02 PRODUCT SPEC 108-1949 APPLICATION SPEC 114-13017 WEIGHT CUSTOMER DRAWING		Tyco Electronics Corporation Shanghai, P.R.China, 200233 NAME PT CONNECTOR ASSEMBLY, 30 POSITION, XFP, RTANG, 0.8MM PITCH SIZE CAGE CODE DRAWING NO RESTRICTED TO A1100779C=788862 SCALE 8:1 SHEET 2 OF 2 REV G	
-----------------------	--	---	--	---	--	--	--