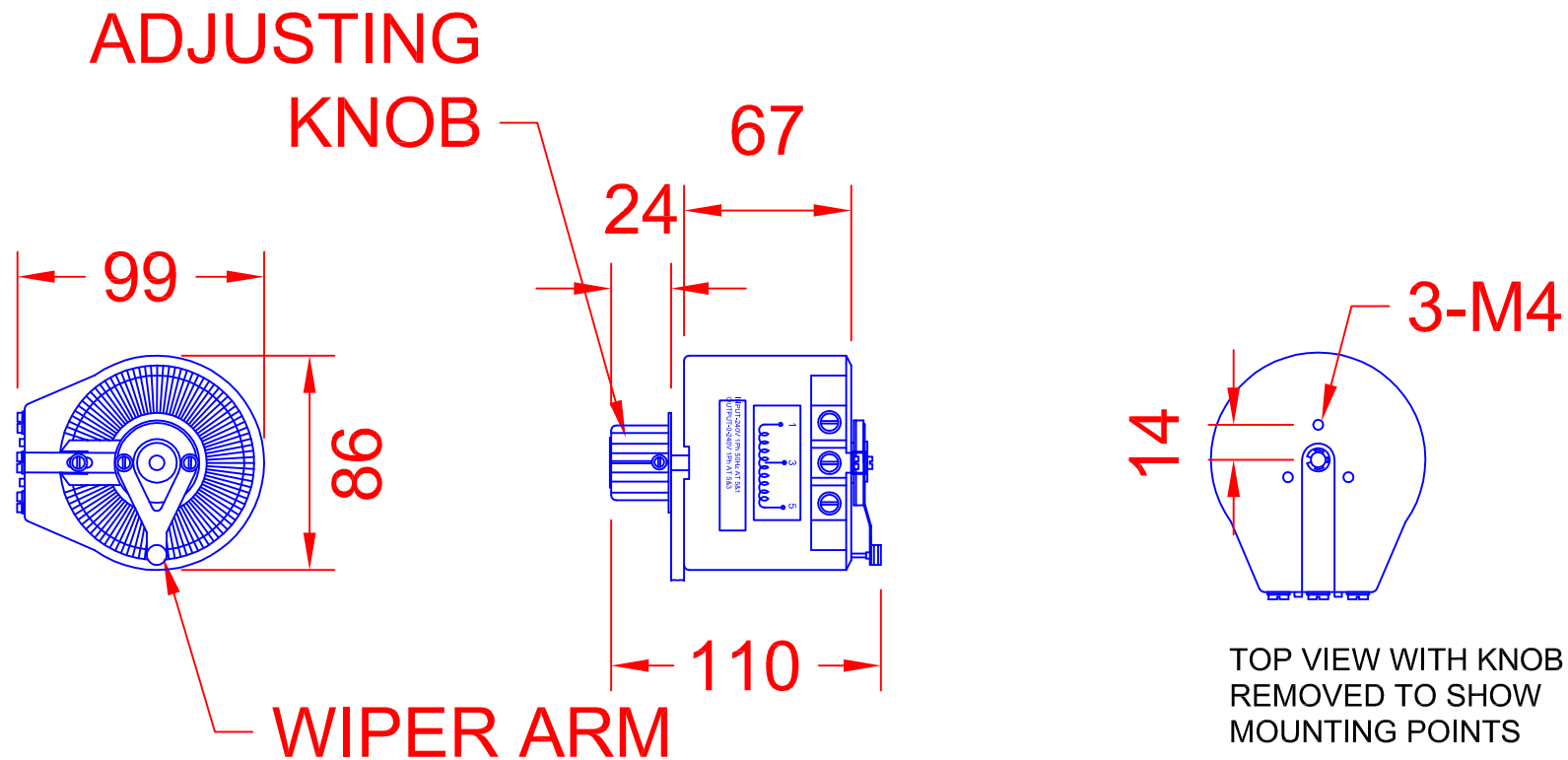


TOLERANCES (UNLESS SPECIFIED)	
0-10mm	±0.2mm
10.1-50mm	±0.5mm
50.1-250mm	±1.0mm
>250mm	±2.0mm



VARIAC

MODEL CMV1X-1
 INPUT 240V
 OUTPUT 0-240V
 RATED 1 AMPS

TERMINATIONS M4 BOLTS

- 1 LIVE 240V I/P
- 3 LIVE O/P (VARIABLE)
- 5 NEUTRAL I/P AND O/P

REV	4	
	3	
	2	
	1	

CARROLL & MEYNELL
 TRANSFORMERS LIMITED
 TEL: 01642 617406 FAX: 01642 614178
 enquiries@carroll-meynell.com

TITLE SINGLE PHASE
 ENCASULATED VARIAC
 CMV1X-1
 ALL DIMENSIONS IN mm

DRAWN SH	PROJECTION	DATE 27/5/8	SCALE NTS
DRAW No 6084		REV 0	PAGE 1/1