

# PRODUCT DATASHEET

## L 36 W/840

LUMILUX T8 | Tubular fluorescent lamps 26 mm, with G13 bases



---

### AREAS OF APPLICATION

- Public buildings
- Office lighting
- Industry
- Shops
- Supermarkets and department stores
- Street lighting
- Outdoor applications only in suitable luminaires

---

### PRODUCT BENEFITS

- Proven lamp technology
- Good economy thanks to high efficiency
- Available in many different light colors (2,700...8,000 K) for various applications

---

### PRODUCT FEATURES

- Very good lumen maintenance: 90 % throughout the service lifetime of the lamp
- Good color rendering group: 1B ( $R_a$ : 80...89)
- Dimmable
- Top-quality three-band phosphor: LUMILUX



**TECHNICAL DATA**

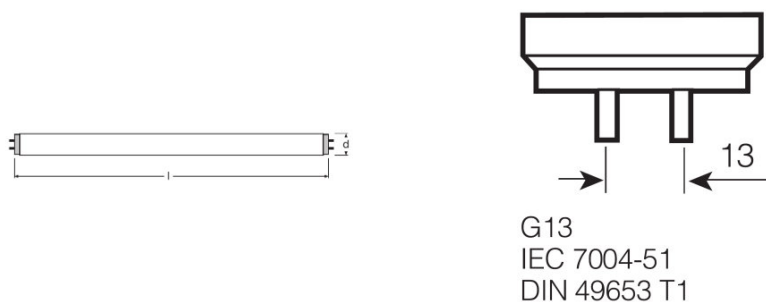
Electrical data

Rated lamp efficacy (HF data 25 °C)	Under clarification by authority and standardization body
Rated wattage	36.00 W
Nominal wattage	36.00 W

Photometrical data

Rated lamp efficacy (standard condition)	93 lm/W
Color rendering index Ra	≥80
Luminous flux at 25 °C	3350 lm
Light color	840
Rated color temperature	4000 K
Nominal luminous flux	3350 lm
Light color (designation)	LUMILUX Cool White
Rated LLMF at 2,000 h	0.96
Rated LLMF at 4,000 h	0.94
Rated LLMF at 6,000 h	0.93
Rated LLMF at 8,000 h	0.91
Rated LLMF at 12,000 h	0.91
Rated LLMF at 16,000 h	0.90
Rated LLMF at 20,000 h	0.89
Color temperature	4000 K
Luminous flux	3350 lm
Color rendering index Ra	≥80

Dimensions & weight



Tube diameter	26 mm
Length	1200 mm
Length with base excl. base pins/connection	1200.00 mm

<b>Diameter</b>	26.0 mm
<b>Maximum diameter</b>	26.0 mm

Temperatures & operating conditions

<b>Rated ambient temp.w.max.luminous flux</b>	25.0 °C
---	---------

Lifespan

<b>Service life</b>	18000 h <sup>1)</sup>
<b>Lifespan</b>	20000 h <sup>1)</sup>
<b>Rated lamp survival factor at 2,000 h</b>	0.99
<b>Rated lamp survival factor at 4,000 h</b>	0.99
<b>Rated lamp survival factor at 6,000 h</b>	0.99
<b>Rated lamp survival factor at 8,000 h</b>	0.99
<b>Rated lamp survival factor at 12,000 h</b>	0.99
<b>Rated lamp survival factor at 16,000 h</b>	0.90
<b>Rated lamp survival factor at 20,000 h</b>	0.50
<b>Operation mode LLMF/LSF</b>	HF
<b>Rated lamp life time</b>	20000 h
<b>Nominal lamp life time</b>	20000 h

<sup>1)</sup> With preheat ECG

Additional product data

<b>Base (standard designation)</b>	G13
<b>Mercury content</b>	2.5 mg
<b>Show WEEE picto</b>	Yes

Capabilities

<b>Dimmable</b>	Yes
<b>Suitable for indoor</b>	Yes

Certificates & standards

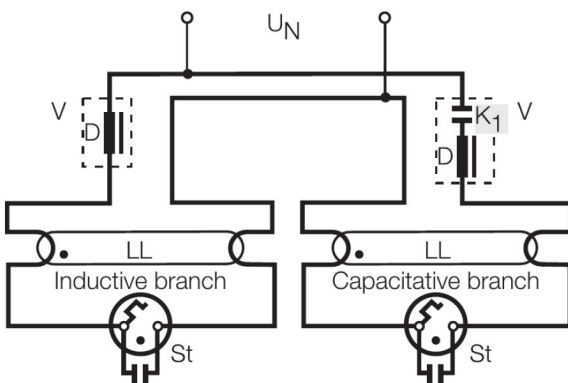
<b>Energy efficiency class</b>	A+
<b>Energy consumption</b>	43 kWh/1000h

## Light Distribution



Spectral power distribution

## Wiring Diagram



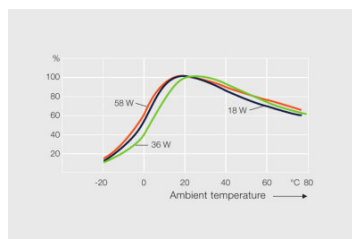
Wiring diagram

## SYSTEM GUARANTEE

OSRAM System+ Guarantee in combination with OSRAM ECGs

## SAFETY ADVICE

In case of lamp breakage: [www.ledvance.com/brokenlamp](http://www.ledvance.com/brokenlamp)



Others graphics

## LOGISTICAL DATA

Product code	Packaging unit (Pieces/Unit)	Dimensions (length x width x height)	Gross weight	Volume
4050300443300	Unpacked 1	1212 mm x 24 mm x 26 mm	157.50 g	0.76 dm <sup>3</sup>
4050300443317	Shipping carton box 30	1269 mm x 169 mm x 206 mm	6018.00 g	44.18 dm <sup>3</sup>
4050300517872	Sleeves 1	1215 mm x 27 mm x 32 mm	202.00 g	1.05 dm <sup>3</sup>
4050300517889	Shipping carton box 25	1242 mm x 142 mm x 145 mm	5450.00 g	25.57 dm <sup>3</sup>

The mentioned product code describes the smallest quantity unit which can be ordered. One shipping unit can contain one or more single products. When placing an order, for the quantity please enter single or multiples of a shipping unit.

## REFERENCES / LINKS

For more information on the system guarantee and the terms and conditions of the guarantee visit

▶ [www.ledvance.com/system-guarantee](http://www.ledvance.com/system-guarantee)

## DISCLAIMER

Subject to change without notice. Errors and omission excepted. Always make sure to use the most recent release.

## LUMILUX T8 | Tubular fluorescent lamps 26 mm, with G13 bases

Product name	Product name ECG	EAN	Nominal current	Nominal wattage + Power loss	Luminous flux at 35 °C	Number of lighting outlets
L 36 W/840	QT 1x36 DIM	4008321645623	0.16 A	36.00 W	3350 lm	1
	QT 2x36 DIM	4008321645838	0.32 A	72.40 W	3350 lm	2
	QT-FIT 5/8 1x18-39	4008321873927	0.16 A	37.00 W	3200 lm	1
	QT-FIT 5/8 2x18-39	4008321873903	0.31 A	70.00 W	3200 lm	2
	QT-FIT8 1x36	4008321294203	0.16 A	36.00 W	3200 lm	1
	QT-FIT8 2x36	4008321294265	0.32 A	71.00 W	3200 lm	2
	QTi 1x14/24/21/39 GII	4008321383334	0.09 A	35.00 W	3350 lm	1
	QTi 2x14/24/21/39 GII	4008321383396	0.31 A	70.00 W	3200 lm	2
	QTi DALI 1x36 DIM	4050300870427	0.16 A	36.00 W	2700 lm	1
	QTi DALI 2x36 DIM	4050300870885	0.30 A	69.00 W	2700 lm	2
	QT-M 2x26-42/220-240 S	4008321110022	0.30 A	70.00 W	3200 lm	2
	QTP-DL 1x36-40		0.17 A	38.00 W	3400 lm	1
	QTP-DL 2x36-40	4008321117922	0.35 A	80.50 W	3400 lm	2
	QTP-M 1x26-42	4008321329134	0.16 A	35.00 W	3350 lm	1
	QTP-OPTIMAL 1x18-40	4008321873743	0.16 A	36.00 W	3200 lm	1
	QTP-OPTIMAL 2x18-40	4008321873767	0.30 A	71.00 W	3200 lm	2
	QTz8 1x36	4008321863287	0.16 A	36.00 W	3200 lm	1
	QTz8 2x36	4008321863324	0.32 A	71.00 W	3200 lm	2