


SACC-EC-MS-8CON-M16/0,5 SCO

Order No.: 1523502



Sensor/Actuator flush-type plug, 8-pos., M12-SPEEDCON, A-coded, front/screw mounting with M16 thread, can be positioned, with 0.5 m TPE litz wire, 8 x 0.25 mm²

**Commercial data**

EAN	 4 046356 021333
Pack	1
Customs tariff	85444190
Country of Origin	DE
Catalog page information	Page 29 (PC-2011)

Product notes

WEEE/RoHS-compliant since:
20/12/2005



Please note that the data given here has been taken from the online catalog. For comprehensive information and data, please refer to the user documentation at <http://www.download.phoenixcontact.com>. The General Terms and Conditions of Use apply to Internet downloads.

Technical data**General data**

Rated current at 40°C	2 A
Rated voltage	30 V
Number of positions	8
Volume resistance	≤ 3 mΩ

Insulation resistance	$\geq 100 \text{ M}\Omega$
Length of cable	0.5 m
Ambient temperature (operation)	-25 °C ... 85 °C (Male connector / female connector)

General characteristics

Standards/regulations	M12 connector IEC 61076-2-101
Coding	A - standard
Surge voltage category	II
Pollution degree	3
Degree of protection	IP67
Contact material	CuZn
Contact surface material	Ni/Au
Contact carrier material	PA 66
Material, knurls	Zinc die-cast, nickel-plated
Sealing material	NBR
Mounting type	Front mounting M16 x 1.5 With locking nut
Connection method	Individual wires
Status display	No

Conductor data

Cable type	TPE litz wire
Conductor cross section	0.25 mm ²
AWG signal line	24
Conductor structure signal line	14x 0.15 mm
Core diameter including insulation	1.15 mm \pm 0.07 mm
Thickness, insulation	0.21 mm (Core insulation)
Wire colors	Brown, blue, white, gray, pink, green, yellow, red
Insulation resistance	$\geq 20 \text{ M}\Omega \cdot \text{km}$
Conductor resistance	$\leq 80 \text{ m}\Omega/\text{m}$
Nominal voltage, conductor	300 V
Test voltage, conductor	2000 V AC
Material conductor insulation	TPE
Conductor material	Tin-plated Cu litz wires
Ambient temperature (operation)	-25 °C ... 90 °C (cable, fixed installation)

Certificates

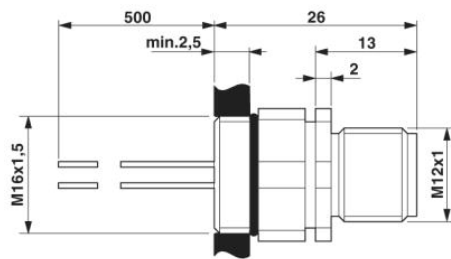


Certification

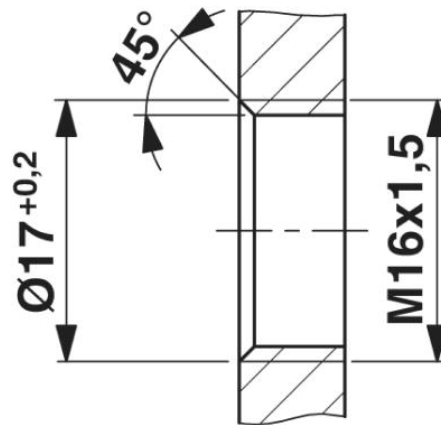
UL

Drawings

Dimensioned drawing

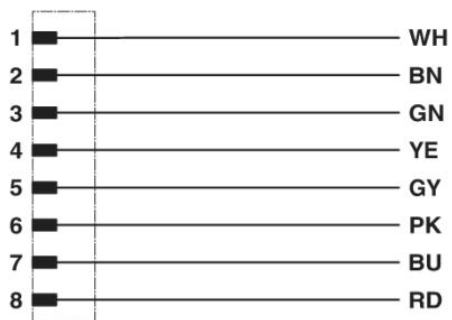


M12 flush-type connector, can be positioned



Housing cutout for M16 fastening thread, mounting panel with thread

Circuit diagram



Contact assignment of the M12 plug

Schematic diagram

Pin assignment M12 plug, 8-pos., view plug side

