

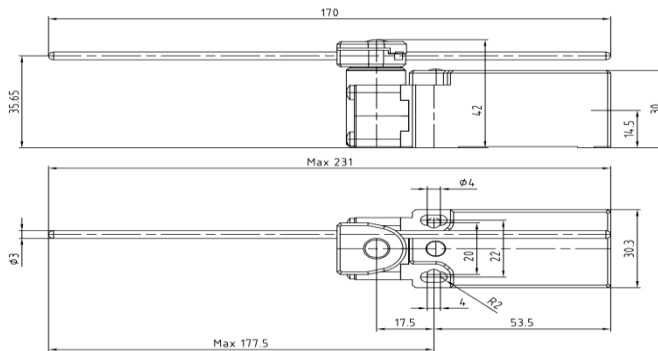
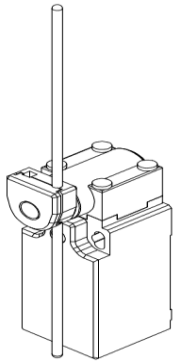


# Datasheet

ENGLISH

## Limit Switch

RS Stock number 902-6880



### Description:

- Double insulation, Plastic casing IP65, 30mm width
- 1 cable inlet for M20x1.5 cable gland
- Adjustable Ø3mm stainless steel rod lever
- Z11: Snap action contacts (1NO+1NC)

### Specification:

Standards		Devices conform with international IEC 947-5-1 and European EN 60 947-5-1 standards								
<b>Certifications - Approvals</b>		UL - CSA - IMQ								
<b>Air temperature near the device</b>										
- during operation	°C	- 25 ... + 70								
- for storage	°C	- 30 ... + 80								
<b>Protection against electrical shocks</b> (according to IEC 536)		Class II								
<b>Degree of protection</b> (according to IEC 529 and EN 60 529)		IP 65								
<b>Rated insulation voltage <math>U_i</math></b>		500 V (degree of pollution 3) (400 V for contacts type X12P, X21P, W03P) A 600, Q 600 (A 300, Q 300 for contacts type X12P, X21P, W03P)								
<b>Rated impulse withstand voltage <math>U_{imp}</math></b> (according IEC 947-1 and EN 60 947-1)		kV	6							
<b>Conventional free air thermal current <math>I_{th}</math></b> (according to IEC 947-5-1 and EN 60 947-5-1) $\theta < 40$ °C		A	10							
<b>Short-circuit protection</b>										
$U_e < 500$ V a.c. - gG (gl) type fuses		A	10							
<b>Rated operational current</b>										
$I_e$ / AC-15 (according to IEC 947-5-1)	24 V - 50/60 Hz	A	10							
	120 V - 50/60 Hz	A	6							
	230 V - 50/60 Hz	A	3.1							
	240 V - 50/60 Hz	A	3							
	400 V - 50/60 Hz	A	1.8							
$I_e$ / DC-13 (according to IEC 947-5-1)	24 V - d.c.	A	2.8							
	125 V - d.c.	A	0.55							
	250 V - d.c.	A	0.27							
<b>Switching frequency</b>		Cycles/h	3600							
<b>Load factor</b>			0.5							
<b>Resistance between contacts</b>		mΩ	< 25							
<b>Connecting terminals</b>		M3.5 (+, -) pozidriv 2 screw with cable clamp (M3 for 3 poles contacts type)								
<b>Terminal for protective conductor</b>		-								
<b>Connecting capacity</b>		1 or 2 x mm <sup>2</sup>	0.75 ... 2.5 (0.34... 1.5 for 3 poles contacts type)							
<b>Terminal marking</b>		According to EN 50 013								
<b>Mechanical durability</b>		Millions of operations	<table border="0"> <tr> <td>15</td> <td rowspan="4">AP•T</td> <td rowspan="4">10...12; 21; 30...34; 38</td> </tr> <tr> <td>10</td> <td>13; 41...48; 51...55; 61...75</td> </tr> <tr> <td>&gt;5</td> <td>14; 35; 36; 39; 91...93; 98</td> </tr> </table>	15	AP•T	10...12; 21; 30...34; 38	10	13; 41...48; 51...55; 61...75	>5	14; 35; 36; 39; 91...93; 98
15	AP•T	10...12; 21; 30...34; 38								
10			13; 41...48; 51...55; 61...75							
>5			14; 35; 36; 39; 91...93; 98							

For the complete list of approved products contact our technical department.

IMQ listed values