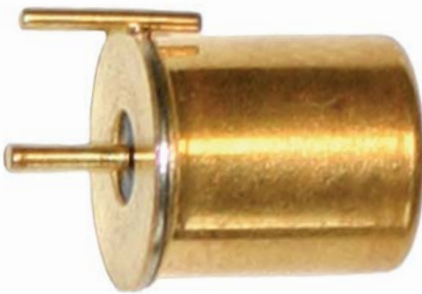
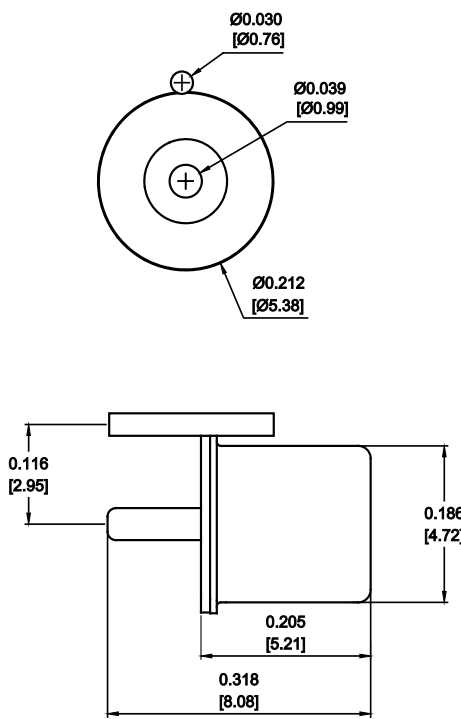
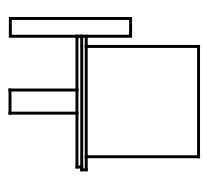
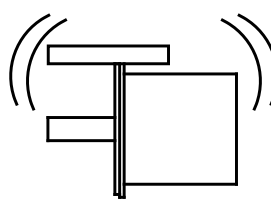


Motion Sensor - Surface Mount
Part Number : AU2402-1
Product Data Sheet

PICTURE	DIMENSIONS	CONTACT FORM
---------	------------	--------------

	 <p style="font-size: small;">Drawings not to scale All dimensions in mm nominal</p>	<p>SWITCH MAYBE CLOSED OR OPEN IN ANY ORIENTATION</p>  <p>CONTACTS TRIGGERED WHEN DETECTING MOVEMENT OR VIBRATION</p>  <p>The sensor is non position sensitive offering a similar level of sensitivity whatever its position and has been designed for use with analogue or digital circuitry. The sensor reacts when disturbed by giving a fleeting change of state (ie n/o to n/c or vice versa)</p>
---	---	--

✓ RoHS Compliant

SPECIFICATION		
---------------	--	--

Contact Form / Style	See above	
Switching Voltage	Max Volts DC	24
Switching Current	Max Amps	0.20
Switching Capacity	Max VA	5
Contact Resistance	Max Ohms	100@ 5V dc
Operating Temperature	Celcius	-37° - 100°
Storage Temperature	Celcius	-40° - 125°
Case Material	Steel- Gold Plated	
Mounting	Surface mount	

Applications Include	Features
----------------------	----------

- | | |
|--|--|
| <ul style="list-style-type: none"> ● Vibration Alarm System. ● Electronic toys . ● Wake up switch. ● Consumer electronics. | <ul style="list-style-type: none"> ● Non position sensitive
 ● Suitable for Alarms and non hazardous applications.
 ● Can be damped using a Schmitt trigger device. |
|--|--|

Rev. No.	Revision Note	Date	Signature
2	Datasheet redesign	16-03-12	ML

As part of the company policy of continued product improvement, specifications may change without notice. Our sales office will be pleased to help you with the latest information on this product range and the details of our full design and manufacturing service. All products are supplied to our standard conditions of sale unless otherwise agreed in writing.